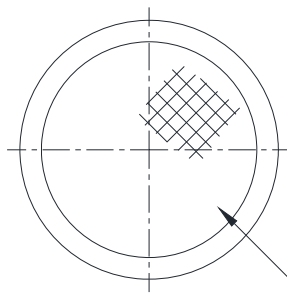


1. SPECIFICATIONS

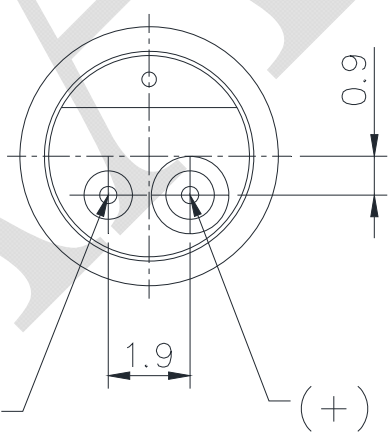
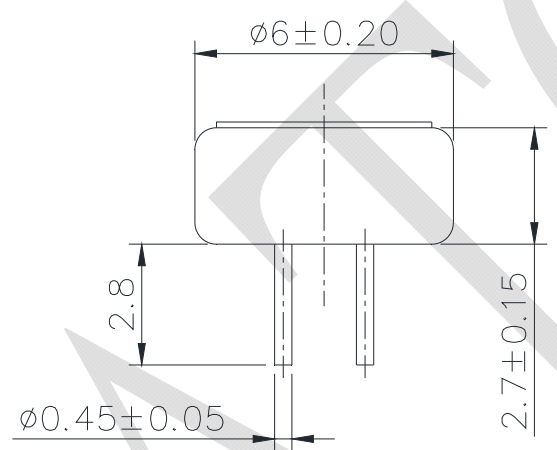
AMF-O60F42-NB1-LF

01	Electret Type	Foil type
02	Sensitivity	-42±3dB (0dB=1V/Pa,1KHz) Band form 300 to 3K Hz
03	Output Impedance (Max)	2.2K Ω
04	Directivity	Omnidirectional
05	Frequency Range	70-20,000Hz
06	Max.Operation Voltage	10V
07	Standard Operation Voltage	2.0V
08	Current Consumption	Max.0.5mA
09	Sensitivity Reduction	Within -3dB 0dB=1V/Pa,1KHz Vs=2.0 to 1.5V
10	S/N Ratio	> 58dB

REV NO.	REVISION NOTE	APPROVAL	DATE
---------	---------------	----------	------



CLOTH (BLACK)



TITLE: <i>MICROPHONE</i>		DRAWN: <i>JOSHN</i> 11/14/2005	SCALE: 4:1	SHEET: 1 of 1
PART NO. <i>AMF-060F42-NB1-LF</i>		DESIGNED: <i>R & D OF AAT</i>	UNITS: <i>mm</i>	
DWG NO. <i>DTM-1225</i>		CHECKED:	TOLERANCE ± 0.2	
		APPROVAL:	UNLESS OTHERWISE SPECIFIED:	
REV		MATERIAL: <i>*****</i>	ONE PLACE DECIMAL \pm ***	
			TWO PLACE DECIMAL \pm ***	
			THREE PLACE DECIMAL \pm ***	



ADVANCED ACOUSTIC TECHNOLOGY CORPORATION