

1. SPECIFICATIONS

AMF-O60F42-NWH5

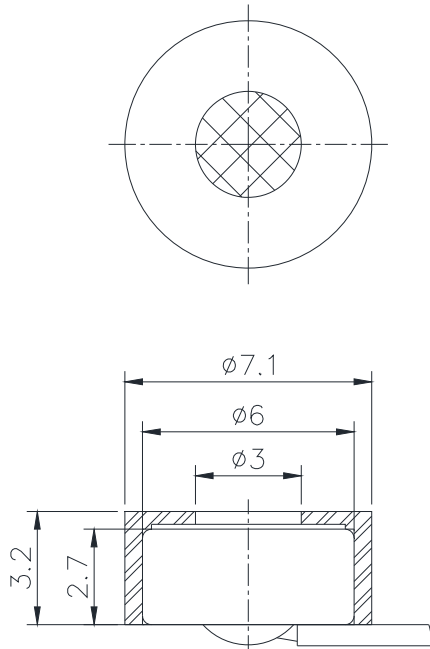
01	Electret Type	FOIL type
02	Sensitivity	-42±3dB (0dB=1V/Pa,1KHz)
03	Output Impedance (Max)	2.2KΩ
04	Directivity	Omnidirectional
05	Frequency Range	70-20,000Hz
06	Max. Operation Voltage	10V
07	Standard Operation Voltage	2.0V
08	Current Consumption	Max.0.5mA
09	Sensitivity Reduction	Within -3dB 0dB=1V/Pa,1KHz Vs=2.0 to 1.5V
10	S/N Ratio	> 58dB

REV NO.

REVISION NOTE

APPROVAL

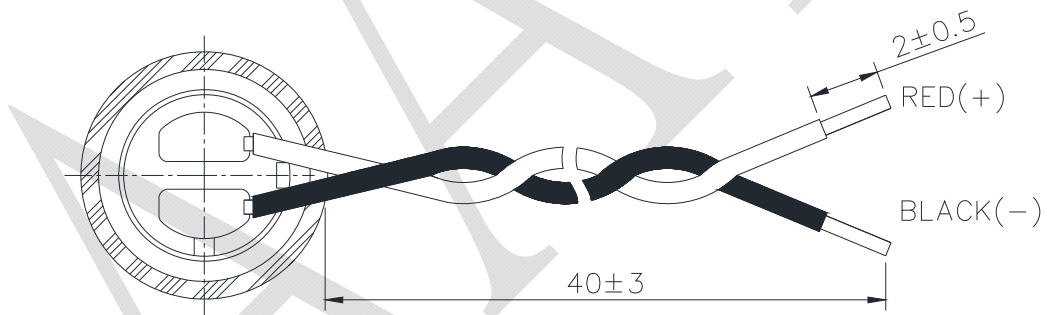
DATE



HOLDER : R-0603-B

WIRE : UL 1571 , 30 AWG.

MIC. : \varnothing * 2.7mm



TITLE: MICROPHONE		DRAWN: <i>JCHN</i> 08/25/2005	SCALE: 5:1	SHEET: 1 of 1
PART NO. AMF-060F42-NWH5	1	DESIGNED: R & D OF AAT	UNITS: mm	
DWG NO. DTM-1269		CHECKED:	TOLERANCE \pm 0.2	
	REV	APPROVAL:	UNLESS OTHERWISE SPECIFIED:	
		MATERIAL: *****	ONE PLACE DECIMAL \pm ***	
			TWO PLACE DECIMAL \pm ***	
			THREE PLACE DECIMAL \pm ***	



ADVANCED ACOUSTIC TECHNOLOGY CORPORATION