

1. SPECIFICATIONS

AMF-O60G42-CB1-LF

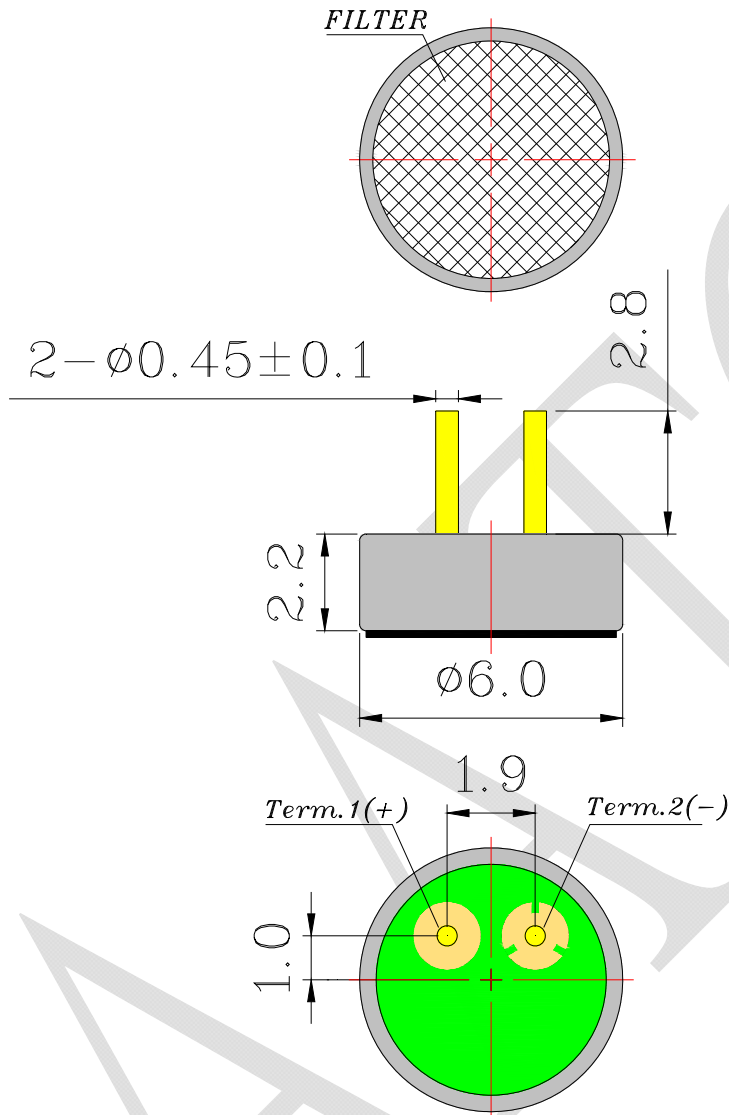
01	Electret's Type	Foil type
02	Sensitivity	-42±3dB (0dB=1V/Pa,1KHz)
03	Standard Operation Voltage	2.0 V
04	Output Impedance	2.2 KΩ
05	Directivity	Omni directional
06	Frequency Range	70 - 20K Hz
07	Max. Operation Voltage	10V
08	Current Consumption	Max.0.5mA
09	Sensitivity Reduction	Within -3dB 0dB=1V/Pa,1KHz Vs=2.0to 1.5V
10	S/N Ratio	≥58dB
11	Sound Pressure Level	110 dB

REV NO.

REVISION NOTE

APPROVAL

DATE



RoHS

TITLE: MICROPHONE		DRAWN: Zack	2014/09/09	SCALE: 5:1	SHEET: 1 of 1
PART NO. AMF-060G42-CB1-LF		DESIGNED: R & D OF AAT		UNITS: mm	TOLERANCE ± 0.3
DWG NO. F6022AP-SDN 10833		CHECKED:		UNLESS OTHERWISE SPECIFIED:	
REV 2		APPROVAL:		ONE PLACE DECIMAL \pm ***	
		MATERIAL: *****		TWO PLACE DECIMAL \pm ***	
				THREE PLACE DECIMAL \pm ***	



ADVANCED ACOUSTIC TECHNOLOGY CORPORATION