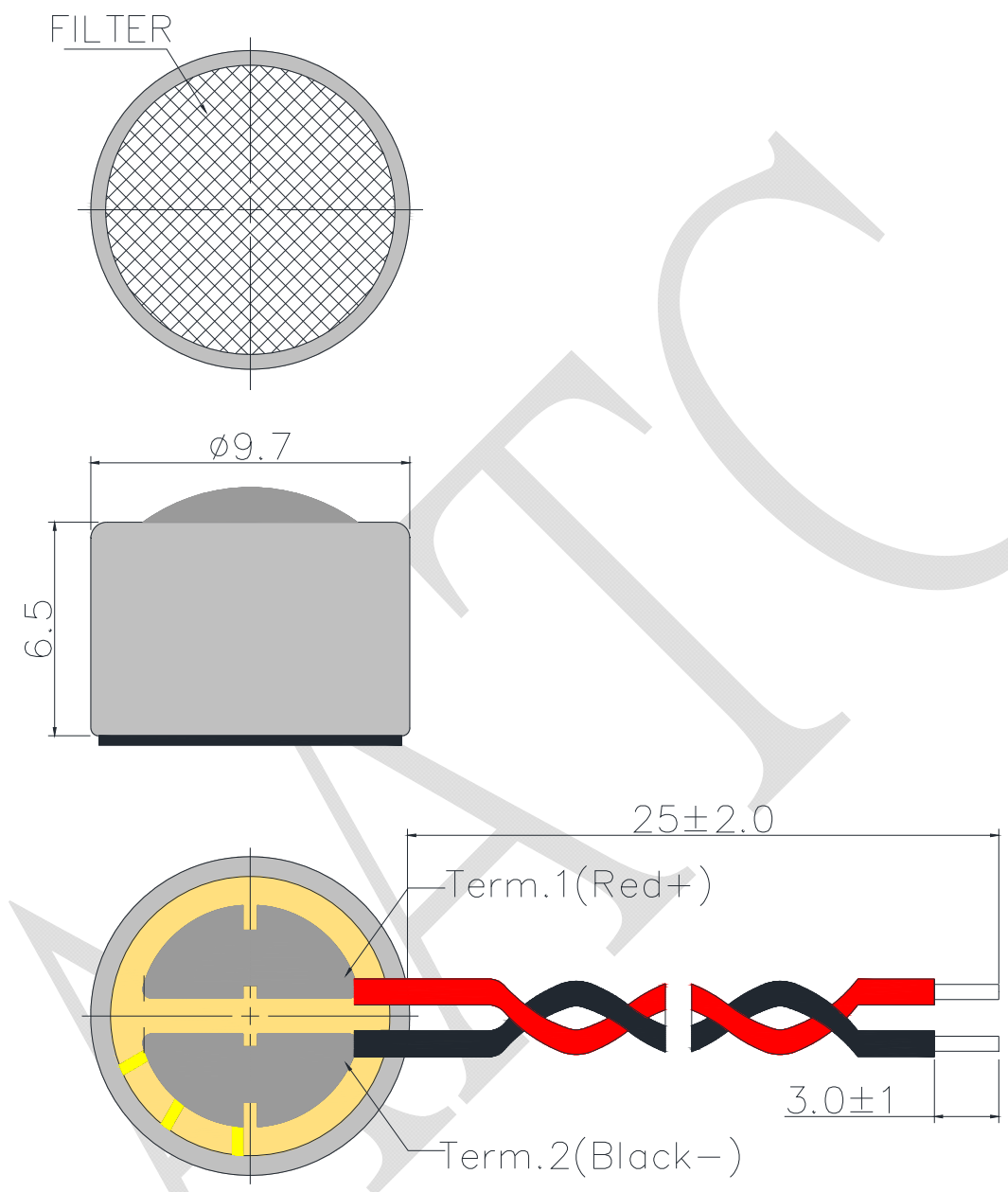


## 1. SPECIFICATIONS

AMF-O97A36-NW-LF

01	Electret's Type	Foil type
02	Sensitivity	-36±3dB (0dB=1V/Pa,1KHz)
03	Standard Operation Voltage	2.0 V
04	Output Impedance	2.2 KΩ
05	Directivity	Omni directional
06	Frequency Range	70 - 20K Hz
07	Max. Operation Voltage	10V
08	Current Consumption	Max.0.5mA
09	Sensitivity Reduction	Within -3dB 0dB=1V/Pa,1KHz Vs=2.0to 1.5V
10	S/N Ratio	≥60dB
11	Sound Pressure Level	110 dB

REV NO.	REVISION NOTE	APPROVAL	DATE
---------	---------------	----------	------



Wire: UL1571,30#AWG

RoHS

TITLE:	MICROPHONE	DRAWN:	Sunny 2015-4-1	SCALE:	5:1	SHEET:	1 of 1
PART NO.	AMF-097A36-NW-LF	DESIGNED:	R & D OF AAT	UNITS:	mm	TOLERANCE	$\pm 0.3$
DWG NO.	F9765AL-30	CHECKED:		UNLESS OTHERWISE SPECIFIED:			
		APPROVAL:		ONE PLACE DECIMAL $\pm$ ***			
		MATERIAL:	AL	TWO PLACE DECIMAL $\pm$ ***			
	REV			THREE PLACE DECIMAL $\pm$ ***			



ADVANCED ACOUSTIC TECHNOLOGY CORPORATION