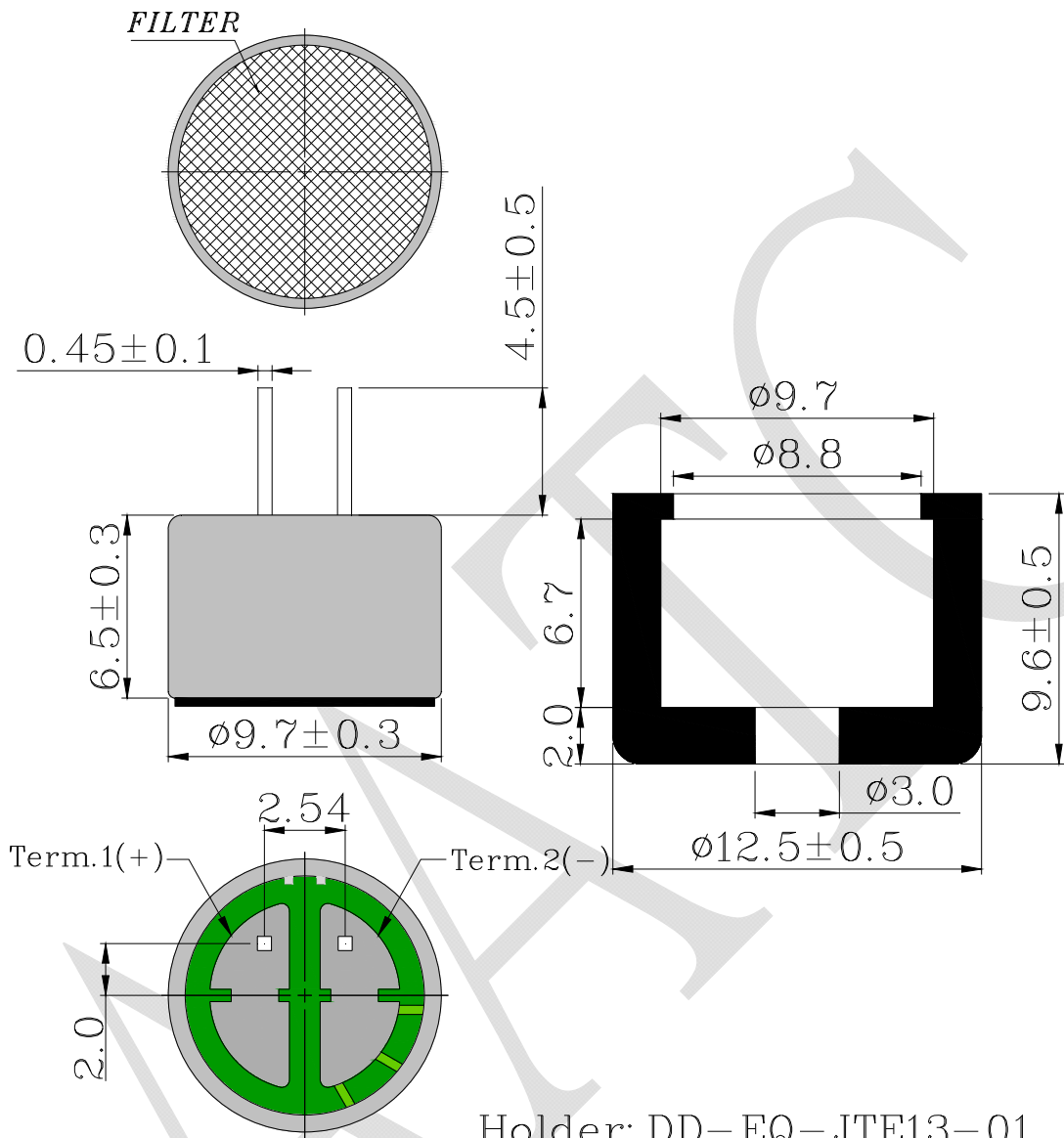


1. SPECIFICATIONS

AMF-O97A38-1NBH

01	Sensitivity	-38±3dB (0dB=1V/Pa,1KHz)
02	Standard Operation Voltage	2.0 V
03	Output Impedance	2.2 KΩ
04	Directivity	Omni directional
05	Frequency Range	100 - 10K Hz
06	Max. Operation Voltage	10V
07	Current Consumption	Max.0.5mA
08	Sensitivity Reduction	Within -3dB 0dB=1V/Pa,1KHz Vs=2.0 to 1.5 V
09	S/N Ratio	≥58dB
10	Sound Pressure Level	110 dB

REV NO.	REVISION NOTE	APPROVAL	DATE
---------	---------------	----------	------



RoHS

TITLE: <i>MICROPHONE</i>		DRAWN: Zack 2019/4/18	SCALE: 5:1	SHEET: 1 of 1
PART NO. <i>AMF-097A38-1NBH</i>	2	DESIGNED: R & D OF AAT	UNITS: mm	
DWG NO. <i>F9765AP-M (P=4.5) 11008</i>		CHECKED:	TOLERANCE ± 0.3	
	REV	APPROVAL:	UNLESS OTHERWISE SPECIFIED:	
		MATERIAL: AL	ONE PLACE DECIMAL ± ***	
			TWO PLACE DECIMAL ± ***	
			THREE PLACE DECIMAL ± ***	



ADVANCED ACOUSTIC TECHNOLOGY CORPORATION