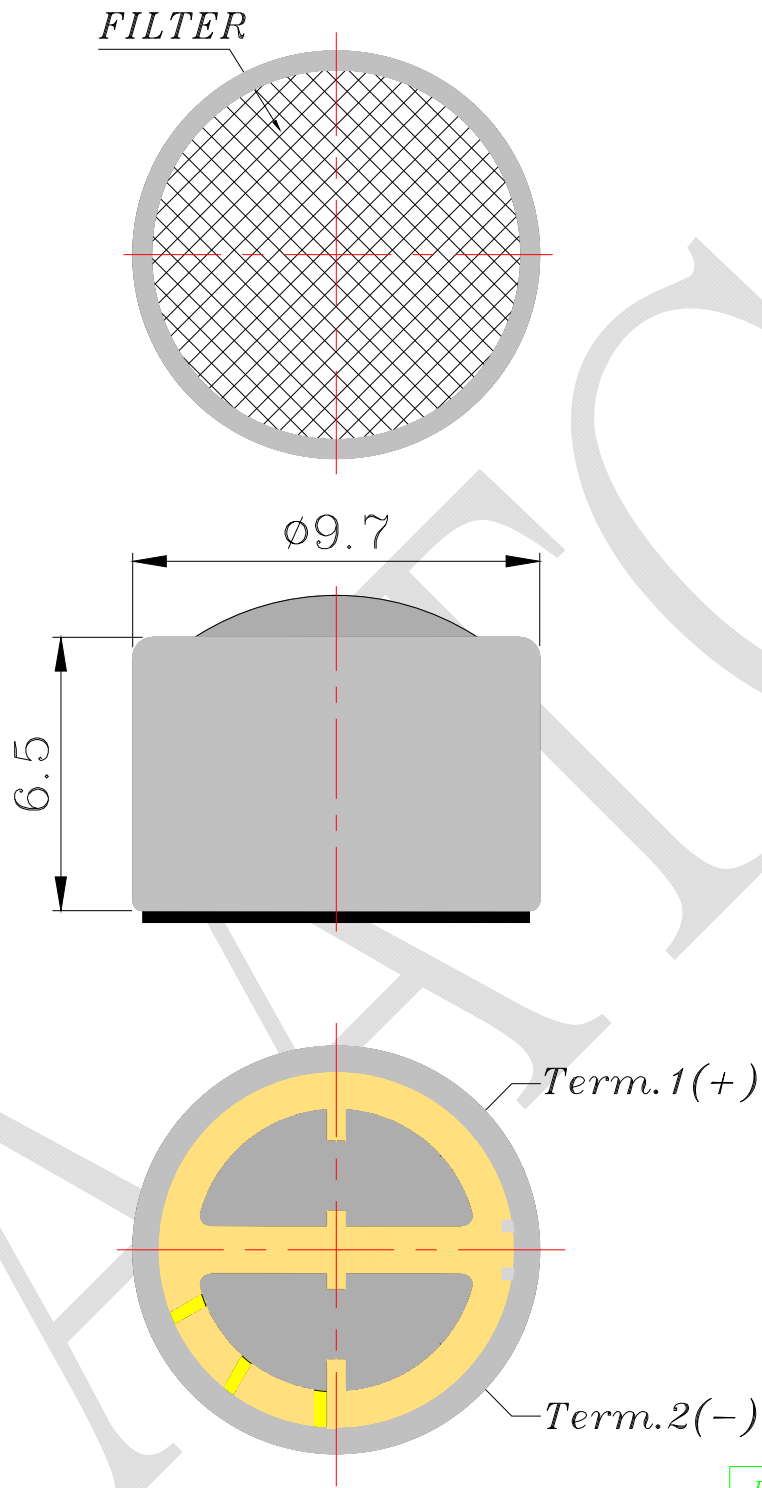


1. SPECIFICATIONS

AMF-O97A42-NA2

01	Electret's Type	Foil type
02	Sensitivity	-42±2dB (0dB=1V/Pa,1KHz)
03	Standard Operation Voltage	4.5 V
04	Output Impedance	2.2 KΩ
05	Directivity	Omni directional
06	Frequency Range	100 - 20K Hz
07	Max. Operation Voltage	10V
08	Current Consumption	Max.0.5mA
09	Sensitivity Reduction	Within -3dB 0dB=1V/Pa,1KHz Vs=4.5to 4.0V
10	S/N Ratio	≥58dB
11	Sound Pressure Level	110 dB
12	Operating Temperature	-20~+60°C
13	Storage Temperature	-25~+70°C

REV NO.	REVISION NOTE	APPROVAL	DATE
---------	---------------	----------	------



RoHS

TITLE: MICROPHONE		DRAWN: <i>Jerry</i> 2013/11/20	SCALE: 5:1	SHEET: 1 of 1
PART NO. AMF-097A42-NA2		DESIGNED: R & D OF AAT	UNITS: mm	
DWG NO. F9765AL-3901		CHECKED:	TOLERANCE ± 0.3	
		APPROVAL:	UNLESS OTHERWISE SPECIFIED:	
REV 2		MATERIAL: *****	ONE PLACE DECIMAL \pm ***	
			TWO PLACE DECIMAL \pm ***	
			THREE PLACE DECIMAL \pm ***	



ADVANCED ACOUSTIC TECHNOLOGY CORPORATION