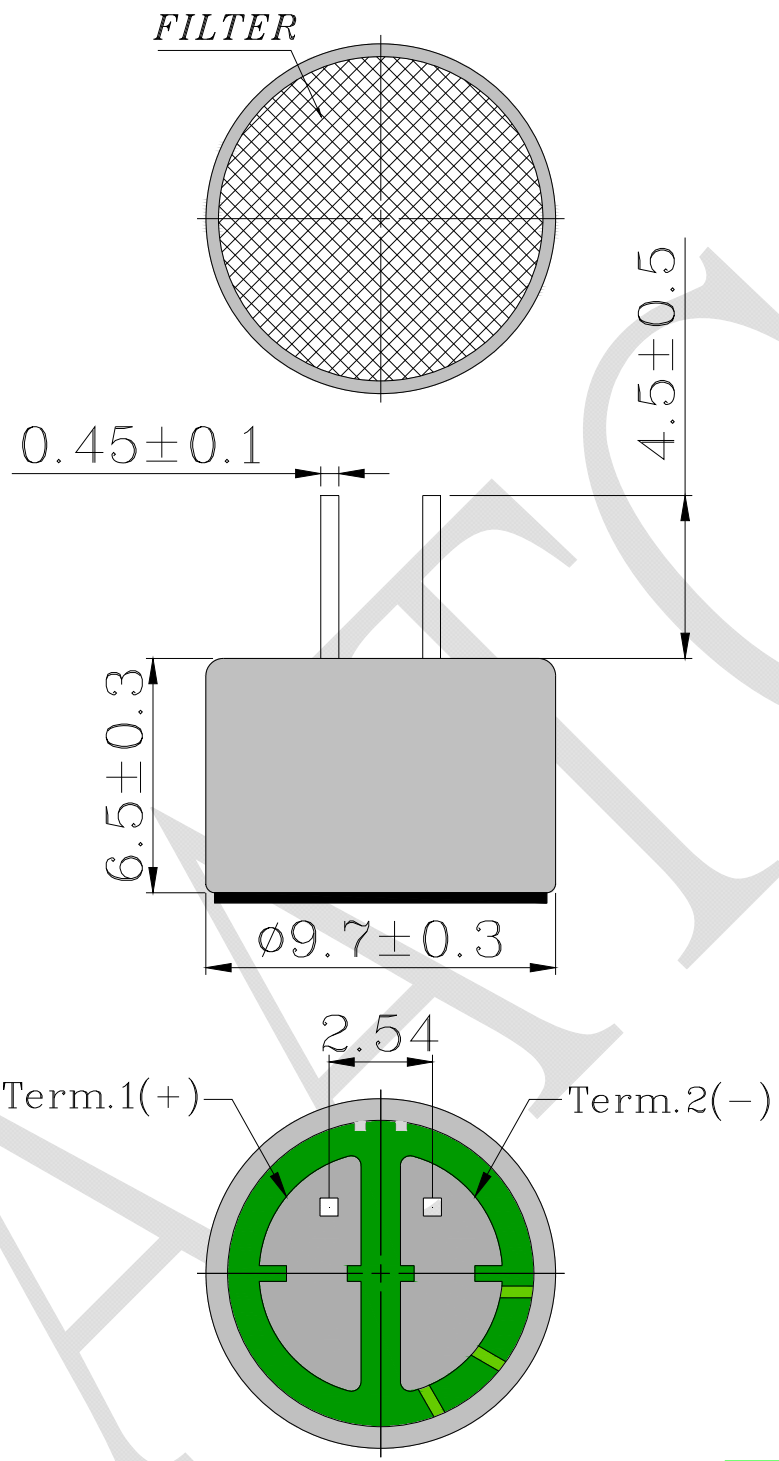


1. SPECIFICATIONS

AMF-O97A42-NB1-LF

01	Sensitivity	-42±3dB (0dB=1V/Pa,1KHz)
02	Standard Operation Voltage	4.5 V
03	Output Impedance	2.2 KΩ
04	Directivity	Omni directional
05	Frequency Range	100 - 10K Hz
06	Max. Operation Voltage	10V
07	Current Consumption	Max.0.5mA
08	Sensitivity Reduction	Within -3dB 0dB=1V/Pa,1KHz Vs=4.5 to 4.0V
09	S/N Ratio	≥58dB
10	Sound Pressure Level	110 dB
11	Operating Temperature	-20~+60°C
12	Storage Temperature	-25~+70°C

REV NO.	REVISION NOTE	APPROVAL	DATE
---------	---------------	----------	------



RoHS

TITLE: MICROPHONE		DRAWN: <i>Jack</i> 2019/04/22	SCALE: 5:1	SHEET: 1 of 1
PART NO. AMF-097A42-NB1-LF		DESIGNED: R & D OF AAT	UNITS: mm	
DWC NO. F9765AP-423 2353	3 REV	CHECKED:	TOLERANCE ± 0.3	
		APPROVAL:	UNLESS OTHERWISE SPECIFIED:	
		MATERIAL: AL	ONE PLACE DECIMAL \pm ***	
			TWO PLACE DECIMAL \pm ***	
			THREE PLACE DECIMAL \pm ***	



ADVANCED ACOUSTIC TECHNOLOGY CORPORATION