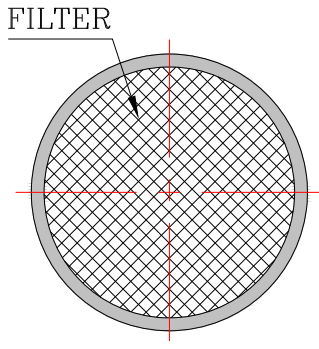


1. SPECIFICATIONS

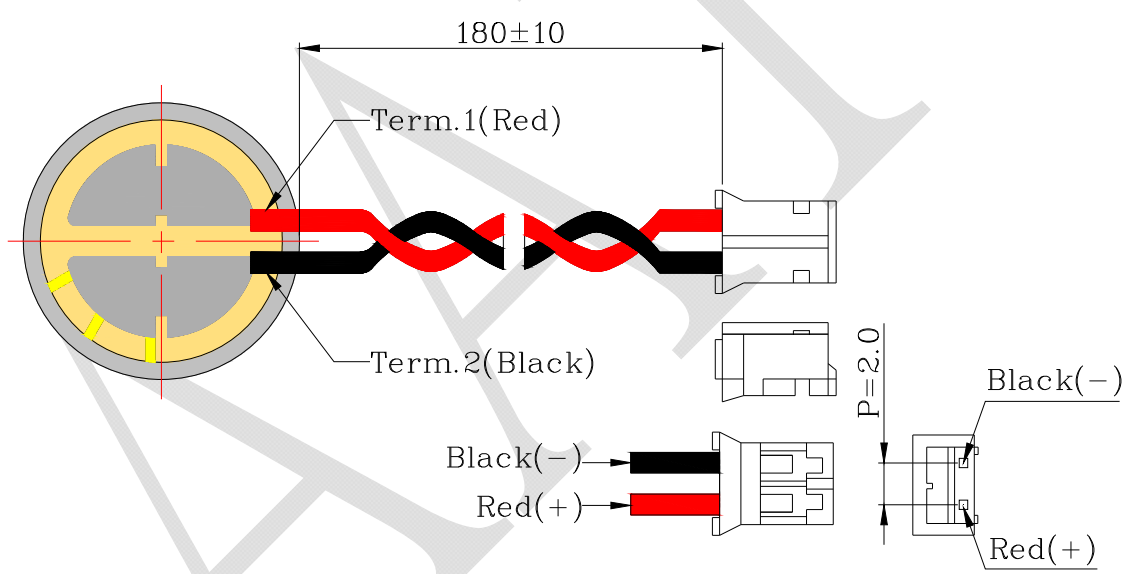
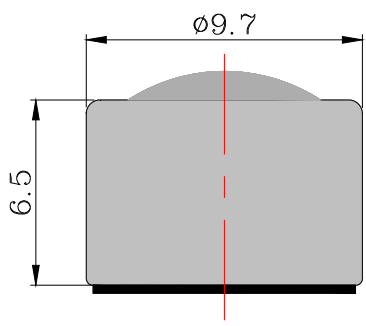
AMF-O97A44-NW2

01	Electret's Type	Foil type
02	Sensitivity	-44±3dB (0dB=1V/Pa,1KHz)
03	Standard Operation Voltage	2.0 V
04	Output Impedance	2.2 KΩ
05	Directivity	Omni directional
06	Frequency Range	100 - 20K Hz
07	Max. Operation Voltage	10V
08	Current Consumption	Max.0.5mA
09	Sensitivity Reduction	Within -3dB 0dB=1V/Pa,1KHz Vs=2.0to 1.5V
10	S/N Ratio	≥58dB
11	Sound Pressure Level	110 dB

REV NO.	REVISION NOTE	APPROVAL	DATE
---------	---------------	----------	------



Wire: UL 1007.AWG26#
Connector: Equivalent to JST PHR-2



RoHS

TITLE: MICROPHONE		DRAWN: Jerry 2014/08/15	SCALE: 5:1	SHEET: 1 of 1
PART NO. AMF-097A44-NW2	1 REV	DESIGNED: R & D OF AAT	UNITS: mm	
DWG NO. F9765AL-D185 10778		CHECKED:	TOLERANCE ± 0.3	
		APPROVAL:	UNLESS OTHERWISE SPECIFIED: ONE PLACE DECIMAL ± *** TWO PLACE DECIMAL ± *** THREE PLACE DECIMAL ± ***	
		MATERIAL: *****		



ADVANCED ACOUSTIC TECHNOLOGY CORPORATION