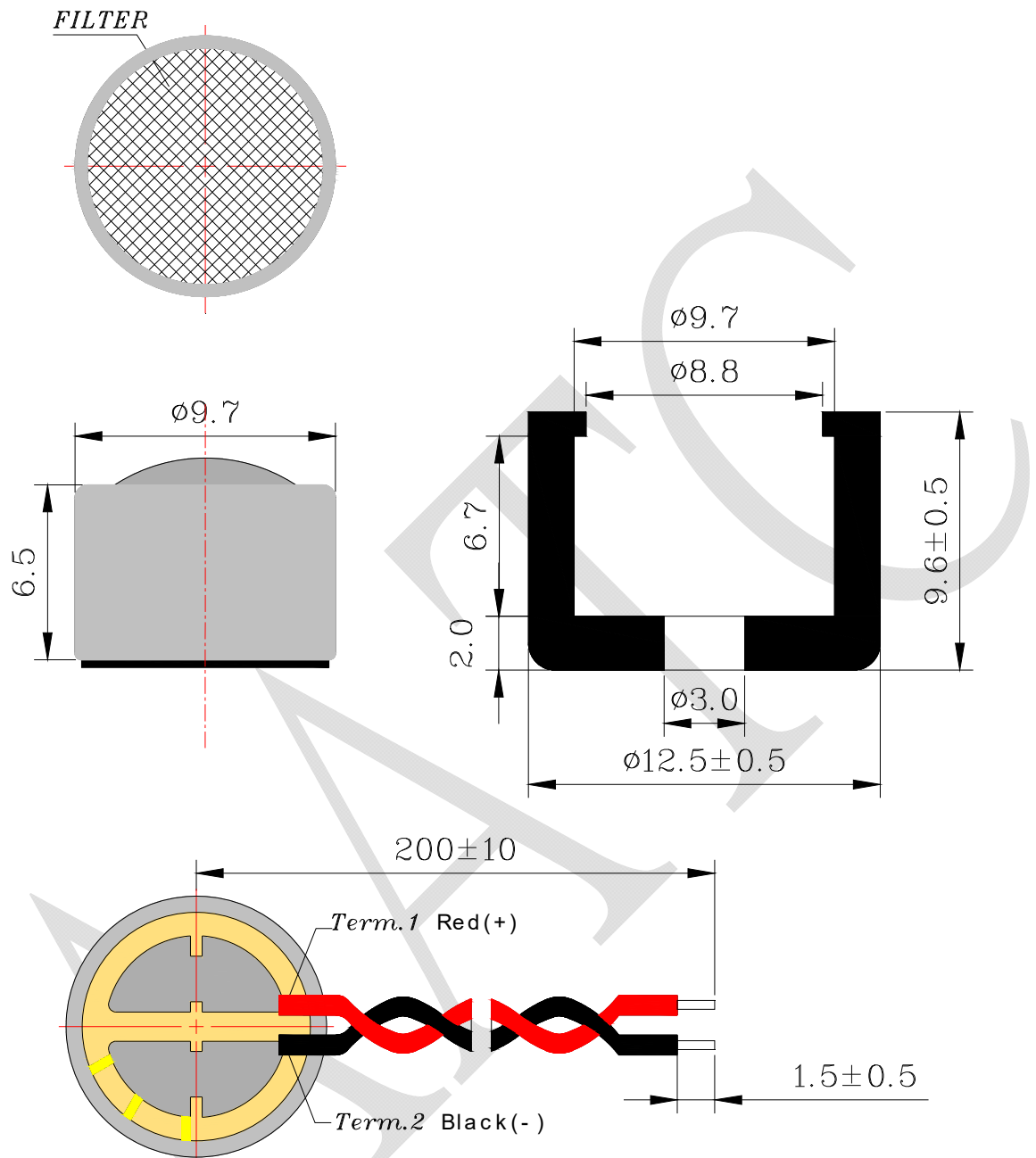


1. SPECIFICATIONS

AMF-O97A44-NWH4

01	Electret's Type	Foil type
02	Sensitivity	-44±3dB (0dB=1V/Pa,1KHz)
03	Standard Operation Voltage	2.0 V
04	Output Impedance	2.2 KΩ
05	Directivity	Omni directional
06	Frequency Range	100 - 20K Hz
07	Max. Operation Voltage	10V
08	Current Consumption	Max.0.5mA
09	Sensitivity Reduction	Within -3dB 0dB=1V/Pa,1KHz Vs=2.0to 1.5V
10	S/N Ratio	≥58dB
11	Sound Pressure Level	110 dB

REV NO.	REVISION NOTE	APPROVAL	DATE
---------	---------------	----------	------



Wire: UL1571,28#AWG;
Holder:DD-EQ-JTE13-01

RoHS

TITLE: MICROPHONE		DRAWN: Zack	2013/07/08	SCALE: 5:1	SHEET: 1 of 1
PART NO. AMF-097A44-NWH4		DESIGNED: R & D OF AAT	UNITS: mm		
DWC NO. F9765AL-200-M 10090		CHECKED:	TOLERANCE ± 0.3		
REV 2		APPROVAL:	UNLESS OTHERWISE SPECIFIED:		
		MATERIAL: *****	ONE PLACE DECIMAL ± ***		
			TWO PLACE DECIMAL ± ***		
			THREE PLACE DECIMAL ± ***		



ADVANCED ACOUSTIC TECHNOLOGY CORPORATION