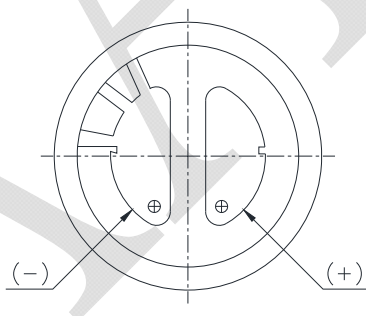
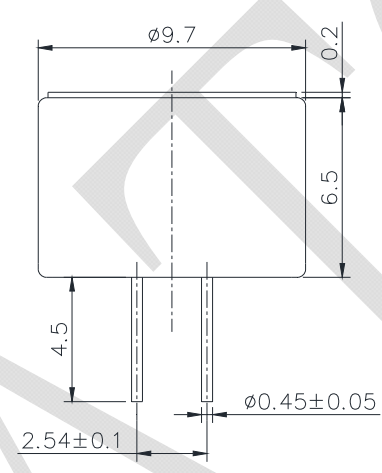
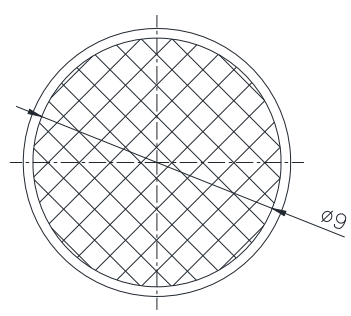


## 1. SPECIFICATIONS

AMF-097A46-NB1-LF

01	Electret Type	FOIL type
02	Sensitivity	-46±2dB (0dB=1V/Pa,1KHz)Band form 300 to 3K Hz
03	Standard Operation Voltage	4.5V
04	Output Impedance (Max)	2.2KΩ
05	Directivity	Omnidirectional
06	Frequency Range	70 - 20K Hz
07	Max. Operation Voltage	10V
08	Current Consumption	Max.0.5mA
09	Sensitivity Reduction	Within -3dB 0dB=1V/Pa,1KHz Vs=4.5 to 4.0V
10	S/N Ratio	> 58dB

REV NO.	REVISION NOTE	APPROVAL	DATE
---------	---------------	----------	------



TITLE: <i>MICROPHONE</i>		DRAWN: <i>JCHN</i> 10/25/2006	SCALE: 4/1	SHEET: 1 : 1
PART NO. <i>AMF-097A46-NB1-LF</i>		DESIGNED: <i>R &amp; D OF AAT</i>	UNITS: <i>mm</i>	
DWG NO. <i>DTM-1085</i>		CHECKED:	TOLERANCE ± 0.2	
		APPROVAL:	UNLESS OTHERWISE SPECIFIED: ONE PLACE DECIMAL ± *** TWO PLACE DECIMAL ± *** THREE PLACE DECIMAL ± ***	
REV 1		MATERIAL: *****		



ADVANCED ACOUSTIC TECHNOLOGY CORPORATION