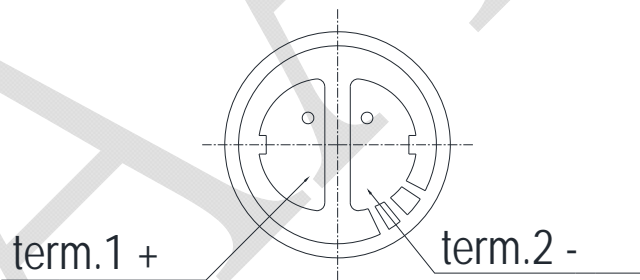
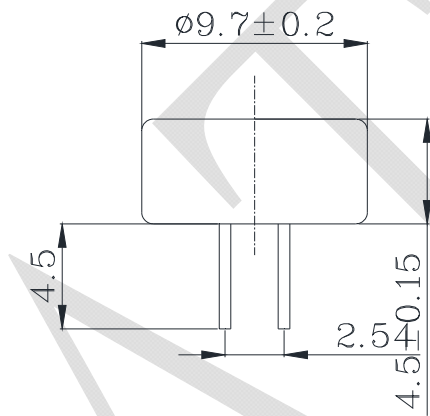
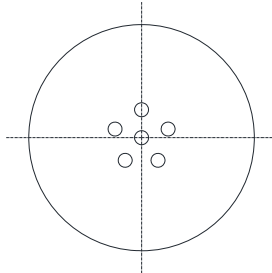


## SPECIFICATIONS

|    |                            |   |
|----|----------------------------|---|
| 01 | Electret Type              | Foil type                                 |
| 02 | Sensitivity                | -40±3dB (0dB=1V/Pa,1KHz)                  |
| 03 | Output Impedance (Max)     | 2.0KΩ                                     |
| 04 | Directivity                | Omnidirectional                           |
| 05 | Frequency Range            | 70-20,000Hz                               |
| 06 | Max.Operation Voltage      | 10V                                       |
| 07 | Standard Operation Voltage | 1.5V                                      |
| 08 | Current Consumption        | Max.0.3mA                                 |
| 09 | Sensitivity Reduction      | Within -3dB 0dB=1V/Pa,1KHz Vs=1.5 to 1.0V |
| 10 | S/N Ratio                  | > 60dB                                    |

|         |               |          |      |
|---------|---------------|----------|------|
| REV NO. | REVISION NOTE | APPROVAL | DATE |
|---------|---------------|----------|------|



|                          |  |                        |                             |                 |
|--------------------------|--|------------------------|-----------------------------|-----------------|
| TITLE: MICROPHONE        |  | DRAWN: JOHN 07/09/2003 | SCALE: 3:1                  | SHEET: 1 : 1    |
| PART NO. AMF-097L40-NBC1 |  | DESIGNED: R & D OF AAT | UNITS: mm                   | TOLERANCE ± 0.2 |
| DWG NO. DTM-1279         |  | CHECKED:               | UNLESS OTHERWISE SPECIFIED: |                 |
|                          |  | APPROVAL:              | ONE PLACE DECIMAL ± ***     |                 |
| REV 1                    |  | MATERIAL: *****        | TWO PLACE DECIMAL ± ***     |                 |
|                          |  |                        | THREE PLACE DECIMAL ± ***   |                 |



ADVANCED ACOUSTIC TECHNOLOGY CORPORATION