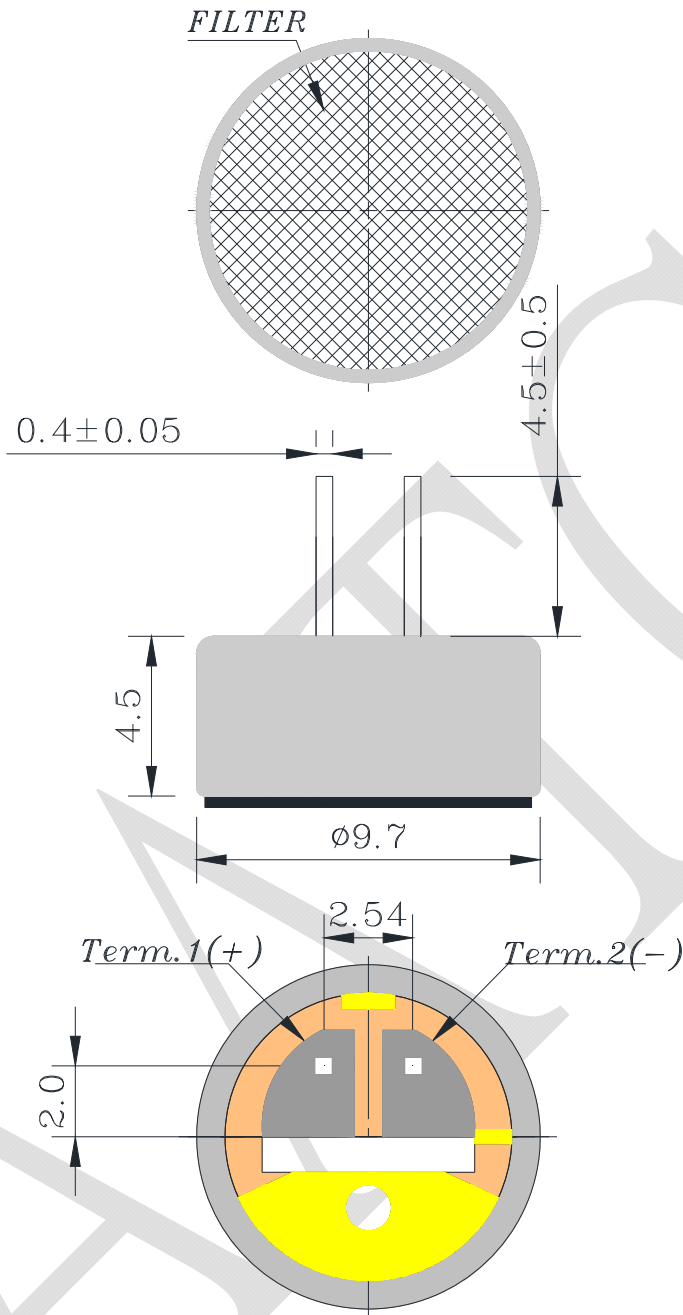


1. SPECIFICATIONS

AMF-O97L42-NB2

| | | |
|----|----------------------------|--|
| 01 | Sensitivity | -42±3dB (0dB=1V/Pa,1KHz) |
| 02 | Standard Operation Voltage | 4.5 V |
| 03 | Output Impedance | 2.2 KΩ |
| 04 | Directivity | Omni directional |
| 05 | Frequency Range | 100 - 10K Hz |
| 06 | Max. Operation Voltage | 10V |
| 07 | Current Consumption | Max.0.5mA |
| 08 | Sensitivity Reduction | Within -3dB 0dB=1V/Pa,1KHz Vs=3.0to 4.5V |
| 09 | S/N Ratio | ≥55dB |
| 10 | Sound Pressure Level | 110 dB |
| 11 | Operating Temperature | -20~+60°C |
| 12 | Storage Temperature | -25~+70°C |

| REV NO. | REVISION NOTE | APPROVAL | DATE |
|---------|---------------|----------|------|
|---------|---------------|----------|------|



RoHS

| | | | | |
|--------------------------------|----------|-----------------------------------|--|---------------|
| TITLE: <i>MICROPHONE</i> | | DRAWN: <i>Slank</i> 2020/03/04 | SCALE: 5:1 | SHEET: 1 of 1 |
| PART NO. <i>AMF-097L42-NB2</i> | 3 | DESIGNED: <i>R & D OF AAT</i> | UNITS: <i>mm</i> | |
| DWG NO. <i>HL-09021801</i> | | CHECKED: | TOLERANCE ± 0.3 | |
| REV | | APPROVAL: | UNLESS OTHERWISE SPECIFIED: ONE PLACE DECIMAL \pm *** TWO PLACE DECIMAL \pm *** THREE PLACE DECIMAL \pm *** | |
| | | MATERIAL: ***** | | |



ADVANCED ACOUSTIC TECHNOLOGY CORPORATION