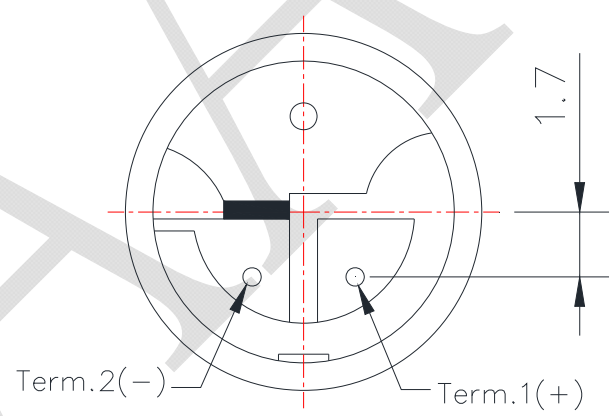
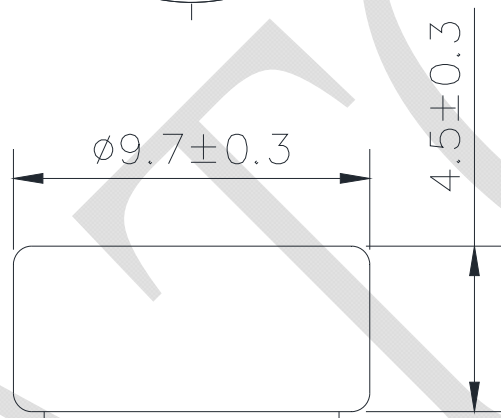
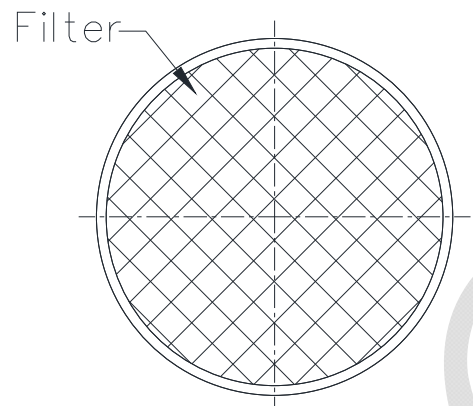


1. SPECIFICATIONS

AMF-O97L44-NAD

01	Sensitivity	-44±3dB (0dB=1V/Pa,1KHz)
02	Standard Operation Voltage	3.0 V
03	Output Impedance	2.2 KΩ
04	Directivity	Omni directional
05	Frequency Range	100 - 10K Hz
06	Max. Operation Voltage	10V
07	Current Consumption	Max.0.5mA
08	Sensitivity Reduction	Within -3dB 0dB=1V/Pa,1KHz Vs=3.0 to 2.5V
09	S/N Ratio	≥58dB
10	Sound Pressure Level	110 dB
11	Operating Temperature	-20~+60°C
12	Storage Temperature	-25~+70°C

REV NO.	REVISION NOTE	APPROVAL	DATE
---------	---------------	----------	------



RoHS

TITLE: MICROPHONE	DRAWN: Zack 2021/04/16	SCALE: 5:1	SHEET: 1 of 1
PART NO. AMF-097L44-NAD	DESIGNED: R & D OF AAT	UNITS: mm	TOLERANCE ± 0.3
DWG NO. DTM-1056	CHECKED:	FIRST ANGLE PROJECTION	
REV 2	APPROVAL:		
	MATERIAL: *****		



ADVANCED ACOUSTIC TECHNOLOGY CORPORATION