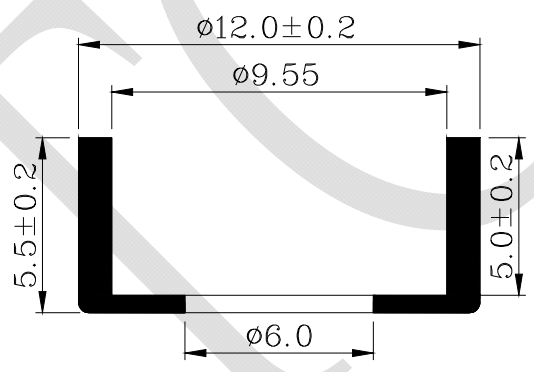
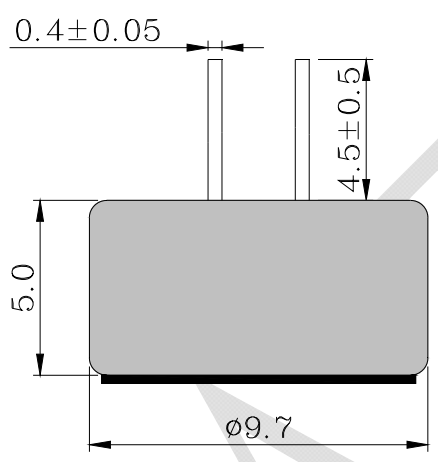
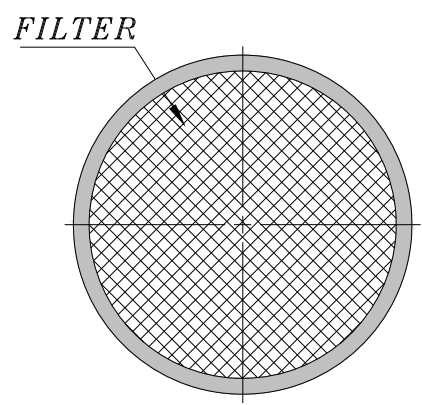


## 1. SPECIFICATIONS

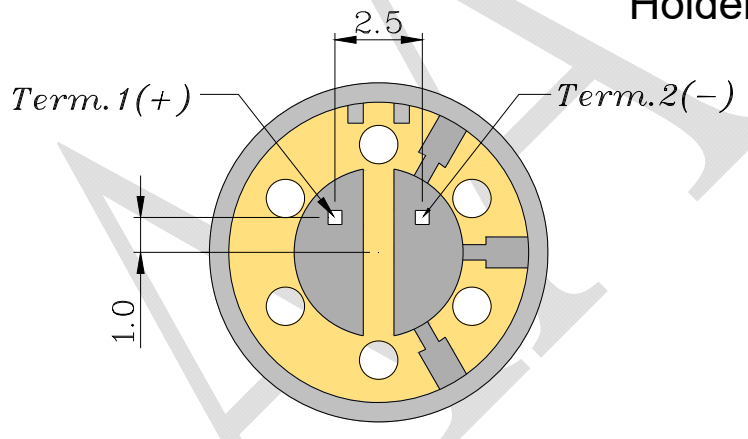
AMF-U97C46-NBH

01	Electret's Type	Foil type
02	Sensitivity	-46±3dB (0dB=1V/Pa,1KHz)
03	Standard Operation Voltage	2.0 V
04	Output Impedance	2.2 KΩ
05	Directivity	Unidirectional
06	Frequency Range	100 - 20K Hz
07	Max. Operation Voltage	10V
08	Current Consumption	Max.0.5mA
09	Sensitivity Reduction	Within -3dB 0dB=1V/Pa,1KHz Vs=2.0to 1.5V
10	S/N Ratio	≥55dB
11	Sound Pressure Level	110 dB

REV NO.	REVISION NOTE	APPROVAL	DATE
---------	---------------	----------	------



Holder:DD-EQ-JTE11-04



RoHS

TITLE: MICROPHONE		DRAWN: Zack	2013/02/21	SCALE: 5:1	SHEET: 1 of 1
PART NO. AMF-U97C46-NBH	2	DESIGNED: R & D OF AAT	UNITS: mm		
DWG NO. HL-110524		CHECKED:	TOLERANCE ± 0.3		
	REV	APPROVAL:	UNLESS OTHERWISE SPECIFIED: ONE PLACE DECIMAL ± *** TWO PLACE DECIMAL ± *** THREE PLACE DECIMAL ± ***		
		MATERIAL: *****			



ADVANCED ACOUSTIC TECHNOLOGY CORPORATION