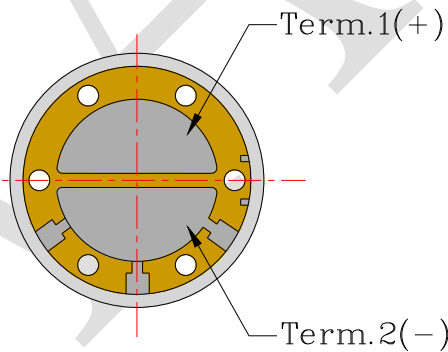
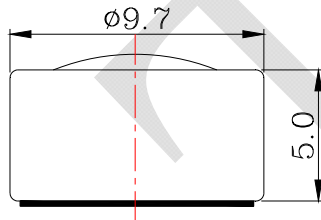
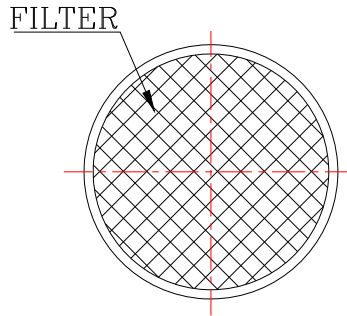


1. SPECIFICATIONS

AMF-U97C47-NACA-LF

01	Electret's Type	Foil type
02	Sensitivity	-47±3dB (0dB=1V/Pa,1KHz)
03	Standard Operation Voltage	1.5 V
04	Output Impedance	680Ω
05	Directivity	Unidirectional
06	Frequency Range	100 - 20K Hz
07	Max. Operation Voltage	10V
08	Current Consumption	Max.0.5mA
09	Sensitivity Reduction	Within -3dB 0dB=1V/Pa,1KHz Vs=1.5 to 1.0V
10	S/N Ratio	≥55dB
11	Sound Pressure Level	110 dB
12	Operating Temperature	-20~+60°C
13	Storage Temperature	-25~+70°C

REV NO.	REVISION NOTE	APPROVAL	DATE
---------	---------------	----------	------



RoHS

TITLE: MICROPHONE		DRAWN: Jack	2013/03/07	SCALE: 5:1	SHEET: 1 of 1
PART NO. AMF-U97C47-NACA-LF		DESIGNED: R & D OF AAT		UNITS: mm	TOLERANCE ± 0.3
DWG NO. DTM-1238		CHECKED:		UNLESS OTHERWISE SPECIFIED:	
		APPROVAL:		ONE PLACE DECIMAL ± ***	
REV		MATERIAL: *****		TWO PLACE DECIMAL ± ***	
				THREE PLACE DECIMAL ± ***	



ADVANCED ACOUSTIC TECHNOLOGY CORPORATION