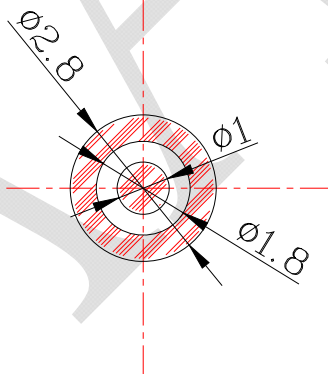
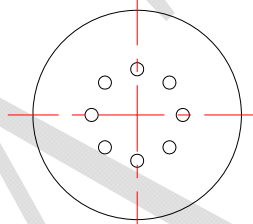
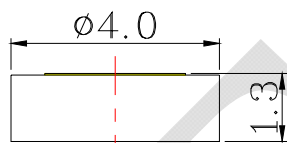
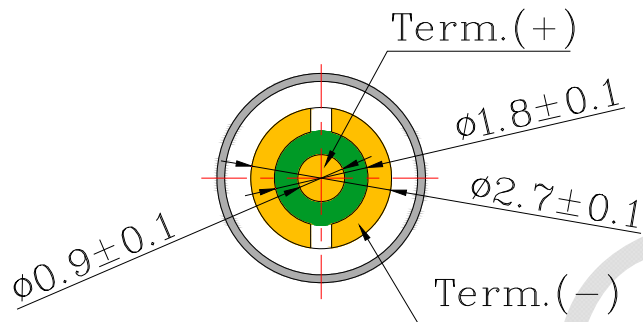


## 1. SPECIFICATIONS

AMS-O40S47-E1

01	Sensitivity	-47±3dB (0dB=1V/Pa,1KHz)
02	Standard Operation Voltage	2.0 V
03	Output Impedance	2.2 KΩ
04	Directivity	Omni directional
05	Frequency Range	100 - 10K Hz
06	Max. Operation Voltage	10V
07	Current Consumption	Max.0.5mA
08	Sensitivity Reduction	Within -3dB 0dB=1V/Pa,1KHz Vs=2.0to 1.5V
09	S/N Ratio	≥58dB
10	Sound Pressure Level	110 dB
11	Operating Temperature	-40~+85°C
12	Storage Temperature	-30~+70°C

REV NO.	REVISION NOTE	APPROVAL	DATE
---------	---------------	----------	------



RECOMMEND PCB LAYOUT

RoHS

TITLE: MICROPHONE		DRAWN: <i>Zack</i> 2019/05/30	SCALE: 5:1	SHEET: 1 of 1
PART NO. AMS-040S47-E1		DESIGNED: R & D OF AAT	UNITS: mm	
DWG NO. OBS-F1347-22HF	4 REV	CHECKED:	TOLERANCE ± 0.3	
		APPROVAL:	UNLESS OTHERWISE SPECIFIED: ONE PLACE DECIMAL ± *** TWO PLACE DECIMAL ± *** THREE PLACE DECIMAL ± ***	
		MATERIAL: AL		



ADVANCED ACOUSTIC TECHNOLOGY CORPORATION