



PART NAME

NEMA DIE CAST ALUM. ENCLOSURE w/MTG. BRKT

PART No.

AN-2810-A & AN-2810-AB

REVISION DATE

9-30-15

UL LISTED FOR U.S. AND CANADA - FILE #E194432

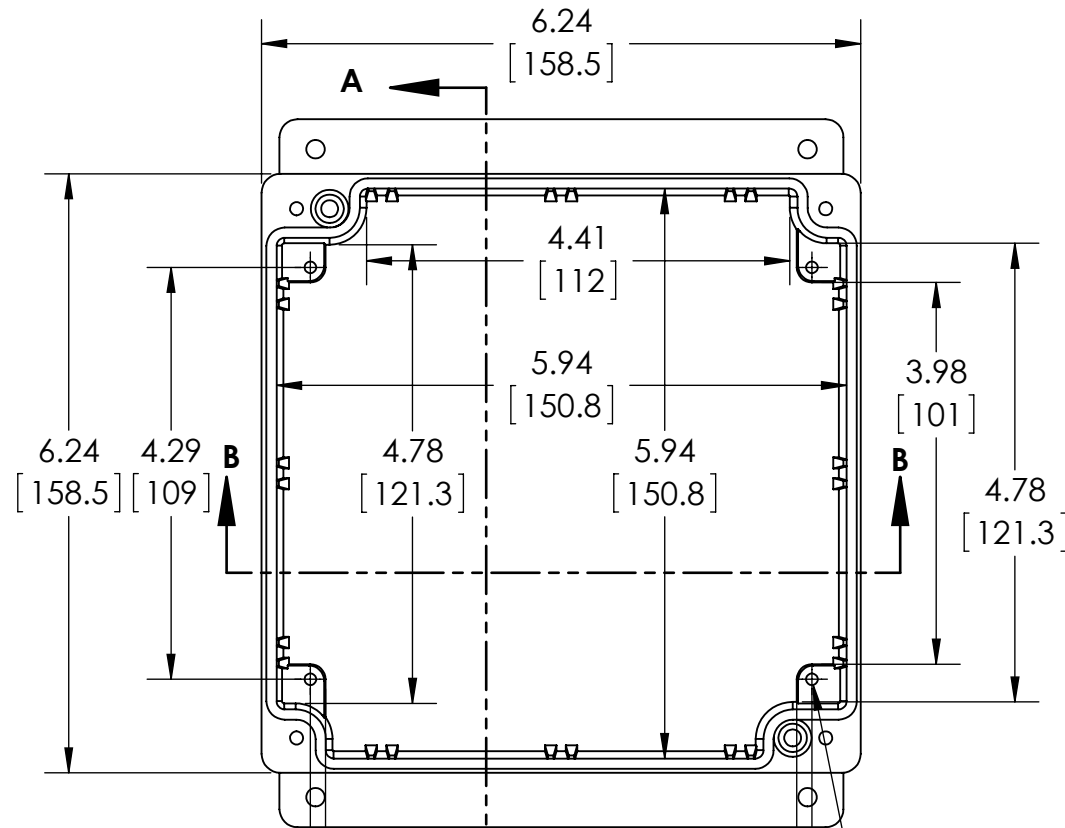
TYPE RATING 4, 4X, 6, 6P, 12 AND 13, COMPARE TO IP-68

80°C. MAXIMUM OPERATING TEMPERATURE

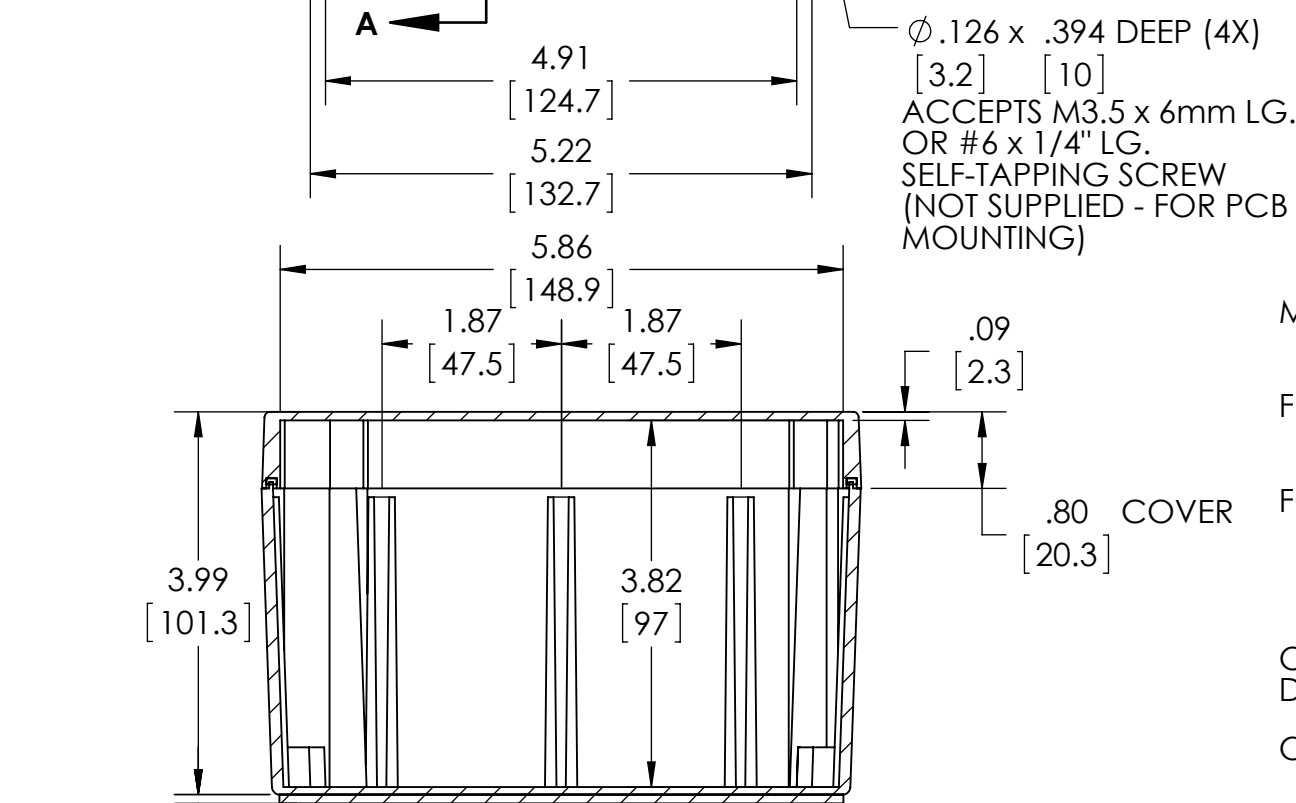
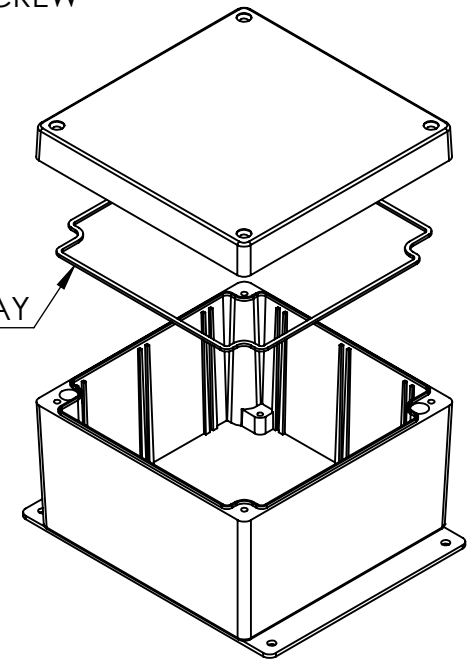
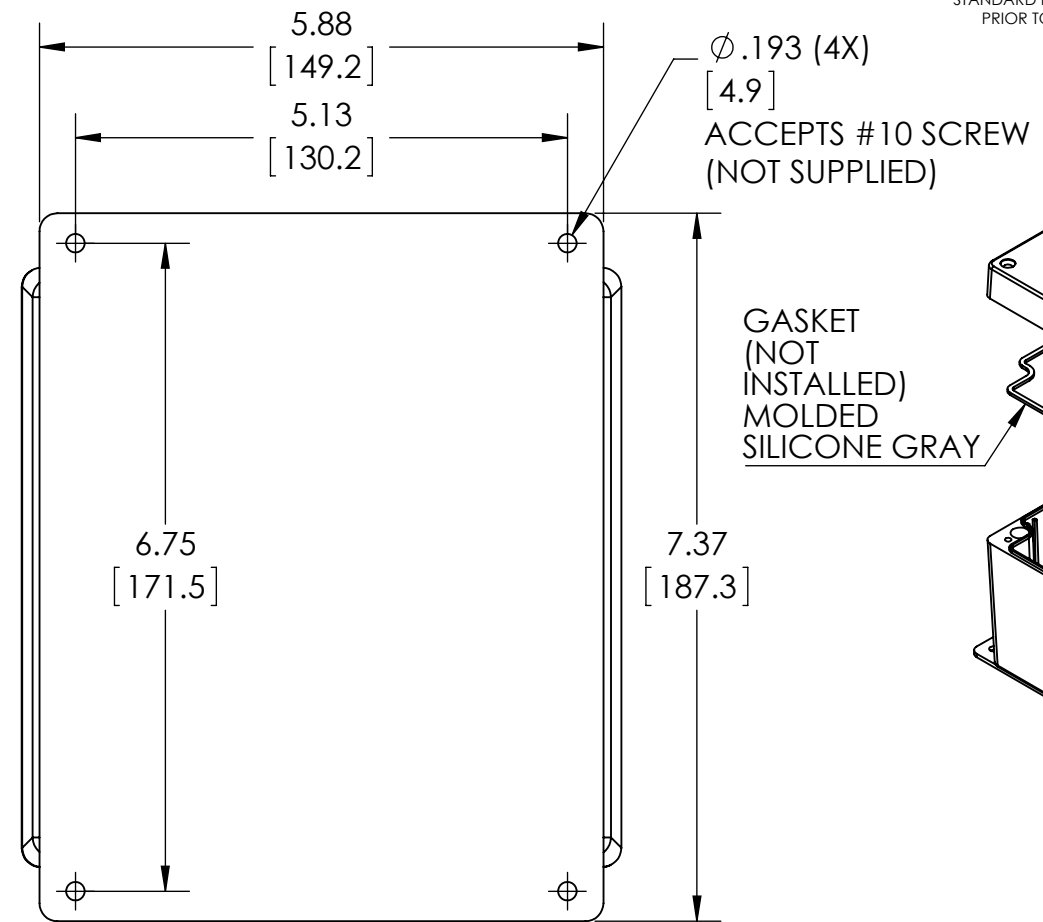
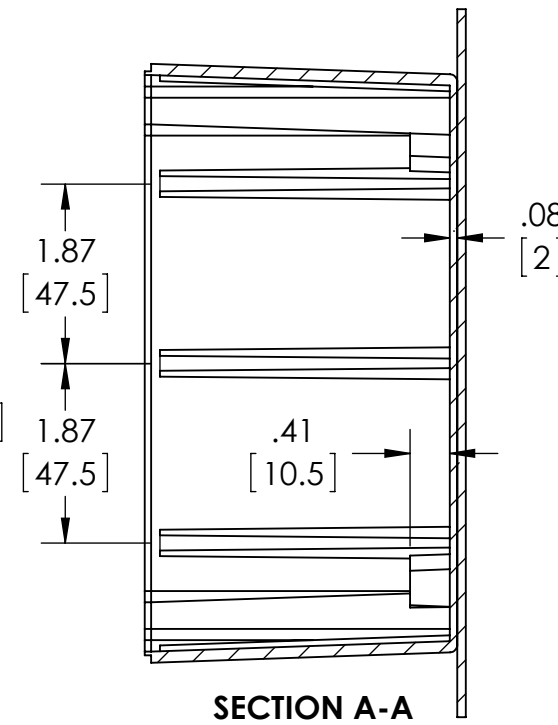
UPDATE REPLACES PART NO. AN-2810 & AN-2810-B

DRAWING FOR REFERENCE

WE RESERVE THE RIGHT TO MAKE CHANGES TO OUR STANDARD PRODUCTS. PLEASE CONSULT WITH BUD INDUSTRIES PRIOR TO USING THIS DRAWING FOR DESIGN PURPOSE.



BODY COVER NOT SHOWN



.09 REF. [2.3] SECTION B-B

Ø.126 x .394 DEEP (4X) [3.2] [10]
ACCEPTS M3.5 x 6mm LG. OR #6 x 1/4" LG. SELF-TAPPING SCREW (NOT SUPPLIED - FOR PCB MOUNTING)

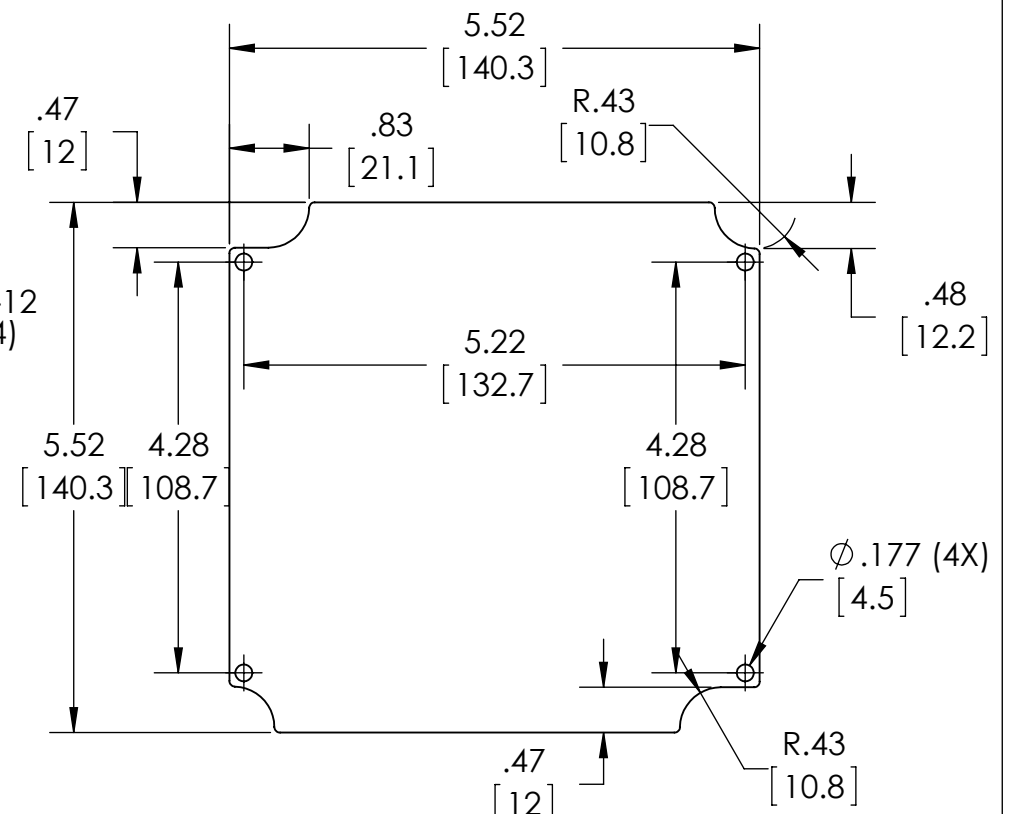
MATERIAL: BODY & COVER - ALUMINUM ALLOY #ADC-12
MOUNTING BRACKET - .09 THK. ALUMINUM (3003-H14)

FINISH: NATURAL (SUFFIX -A)
SMOOTH BLACK POWDERCOAT (SUFFIX -AB)

FOUR (4) M4x0.7 x 32mm (1.26") LG. 90°CSK. HEAD STAINLESS STEEL SCREWS SUPPLIED FOR ASSEMBLY OF COVER TO BODY. APPLY AT 12 IN./LB. OF TORQUE.

OUTSIDE AND INSIDE DRAFT ANGLE: 2°
DIMENSIONS ARE INCH[MM]

OPTIONAL ACCESSORIES:
PCB MOUNTING KIT #57-58
INTERNAL PANEL #ANX-91310
REPLACEMENT GASKET #1310GSKTSC



OPTIONAL INTERNAL PANEL AND SUGGESTED PC BOARD LAYOUT