



PART NAME

NEMA DIE CAST ALUM. ENCLOSURE w/MTG. BRKT.

PART No.

AN-2872-A & AN-2872-AB

REVISION DATE

9-30-15

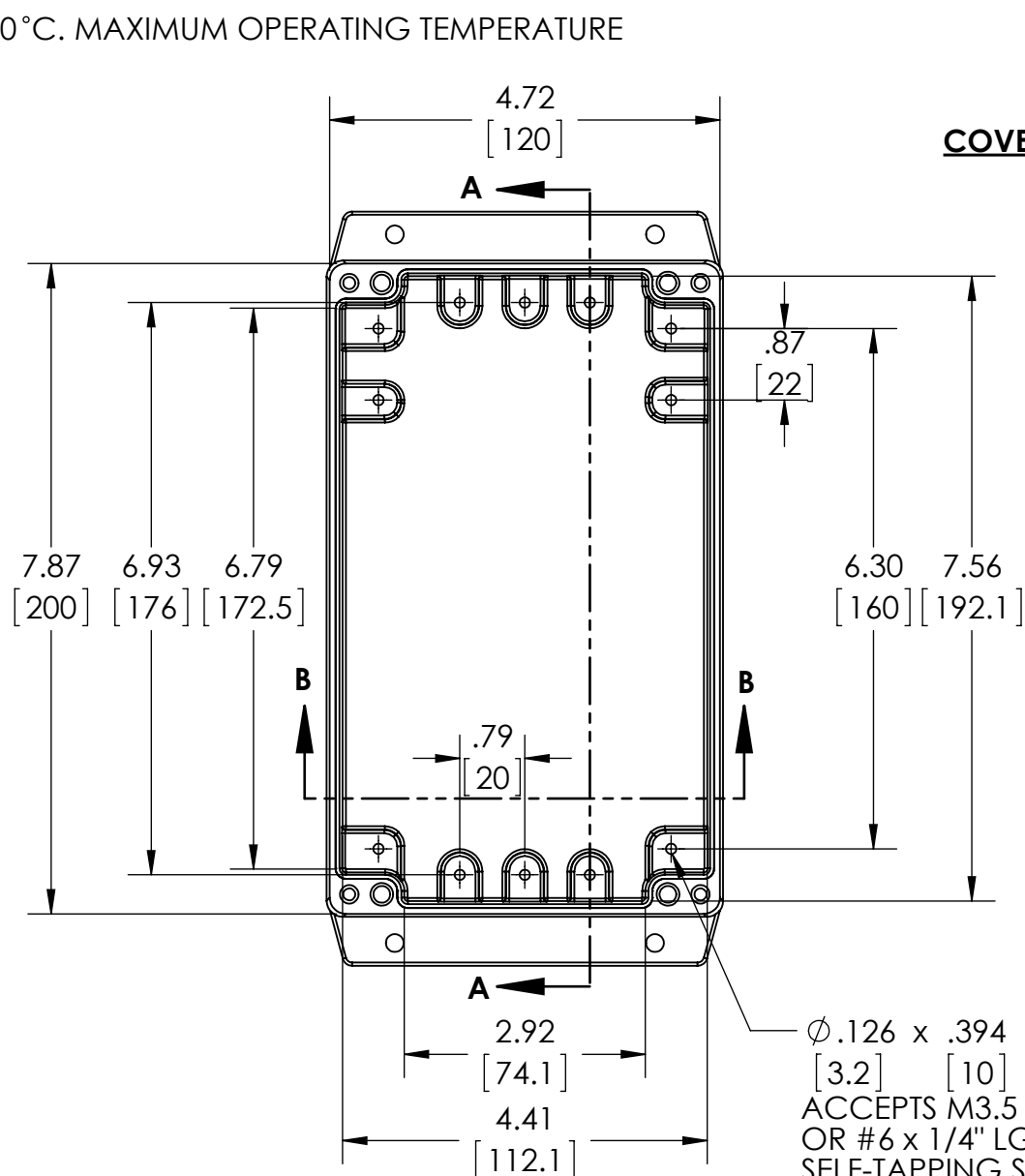
UL LISTED FOR U.S. AND CANADA - FILE #E194432

UPDATE REPLACES PART NO. AN-2872 & AN-2872-B

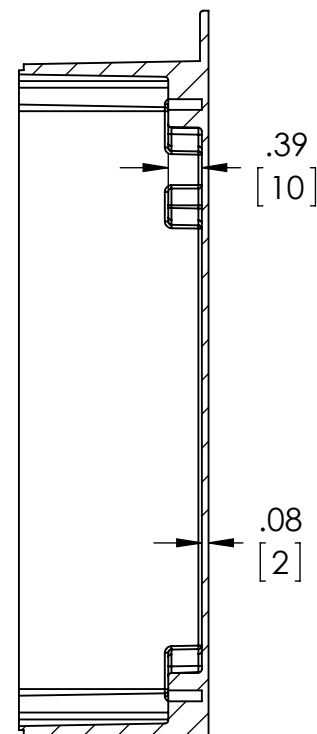
**DRAWING FOR REFERENCE**  
WE RESERVE THE RIGHT TO MAKE CHANGES TO OUR STANDARD PRODUCTS. PLEASE CONSULT WITH BUD INDUSTRIES PRIOR TO USING THIS DRAWING FOR DESIGN PURPOSE.

TYPE RATING 4, 4X, 6, 6P, 12 AND 13, COMPARE TO IP-68

80°C. MAXIMUM OPERATING TEMPERATURE



**BODY COVER NOT SHOWN**



**SECTION A-A**

Ø.126 x .394 DEEP (12X)  
[3.2] [10]  
ACCEPTS M3.5 x 6mm LG.  
OR #6 x 1/4" LG.  
SELF-TAPPING SCREW  
(NOT SUPPLIED - FOR PCB  
MOUNTING)

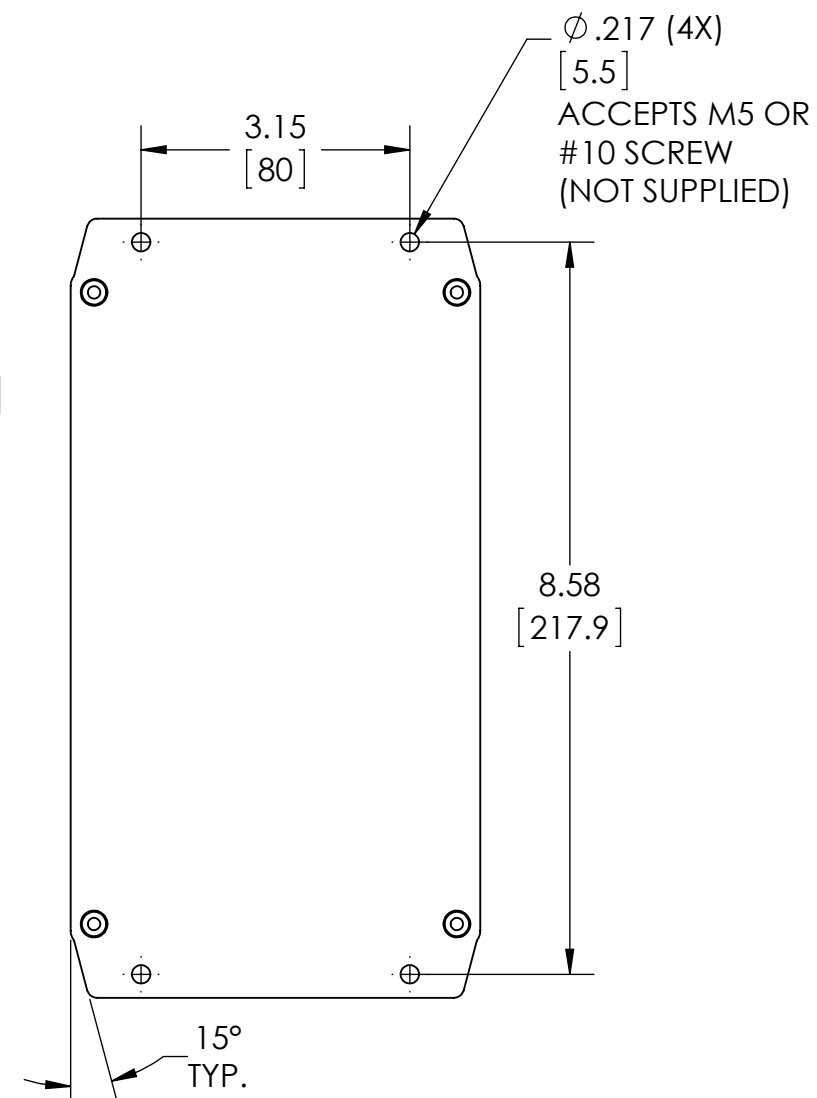
MATERIAL: BODY & COVER - ALUMINUM ALLOY #ADC-12

FINISH: NATURAL (SUFFIX -A)  
SMOOTH BLACK POWDERCOAT (SUFFIX -AB)

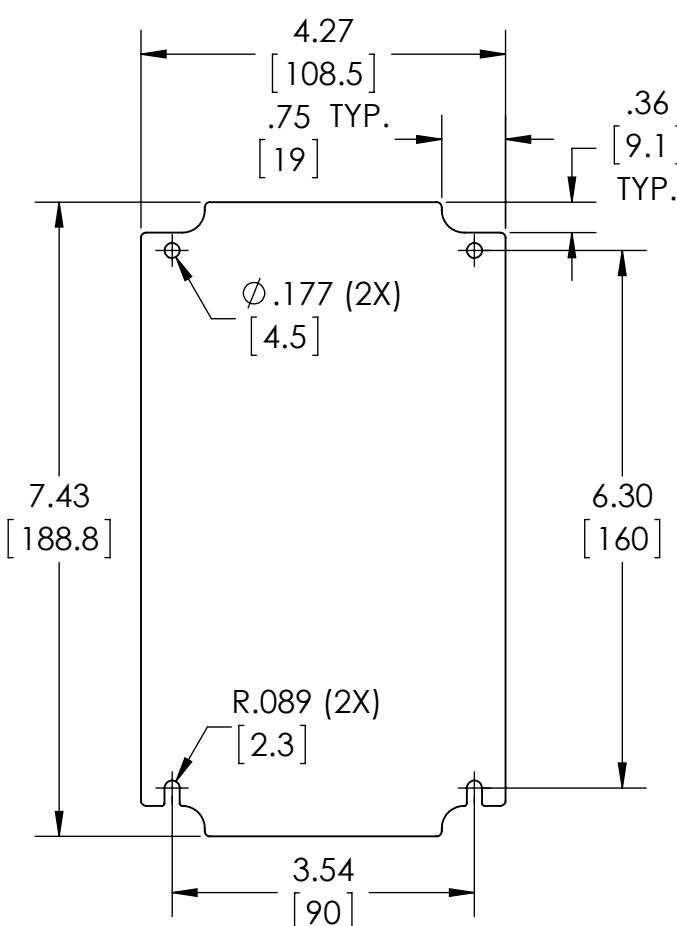
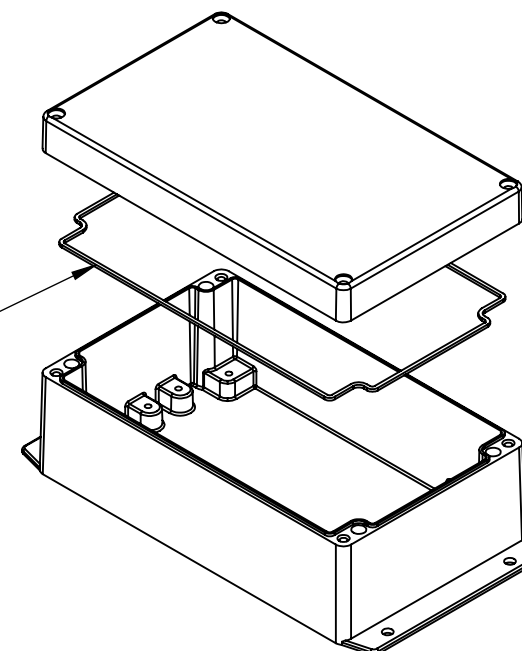
FOUR (4) M4x0.7 x 25mm (.98") LG. 90° CSK. HEAD  
STAINLESS STEEL CAPTIVE SCREWS SUPPLIED FOR ASSEMBLY  
OF COVER TO BODY. APPLY AT 12 IN./LB. OF  
TORQUE.

OUTSIDE DRAFT ANGLE: 1°  
INSIDE DRAFT ANGLE: 1/2°  
DIMENSIONS ARE INCH[MM]

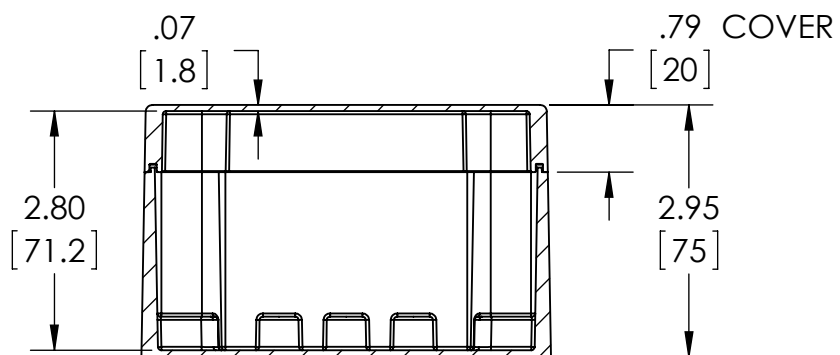
OPTIONAL ACCESSORIES:  
PCB MOUNTING KIT #57-58  
INTERNAL PANEL #ANX-91322  
REPLACEMENT GASKET #1322GSKTSC



GASKET  
(NOT  
INSTALLED)  
MOLDED  
SILICONE  
GRAY



**OPTIONAL INTERNAL PANEL AND  
SUGGESTED PC BOARD LAYOUT**



**SECTION B-B**