

THE INFORMATION CONTAINED IN THIS DRAWING IS THE SOLE PROPERTY OF BUD INDUSTRIES INC. ANY REPRODUCTION IN PART OR WHOLE WITHOUT THE WRITTEN PERMISSION OF BUD INDUSTRIES INC. IS PROHIBITED.

DWG. NO.	AN-2900
ISSUE	REVISIONS
(A)	UPDATED DRAWING 8-8-08 DAB

GASKETED COVER

SUPPLIED WITH (4)  
M4x.7 x .79" LG.  
FLAT HEAD MACHINE  
SCREWS TO ATTACH  
COVER TO BODY

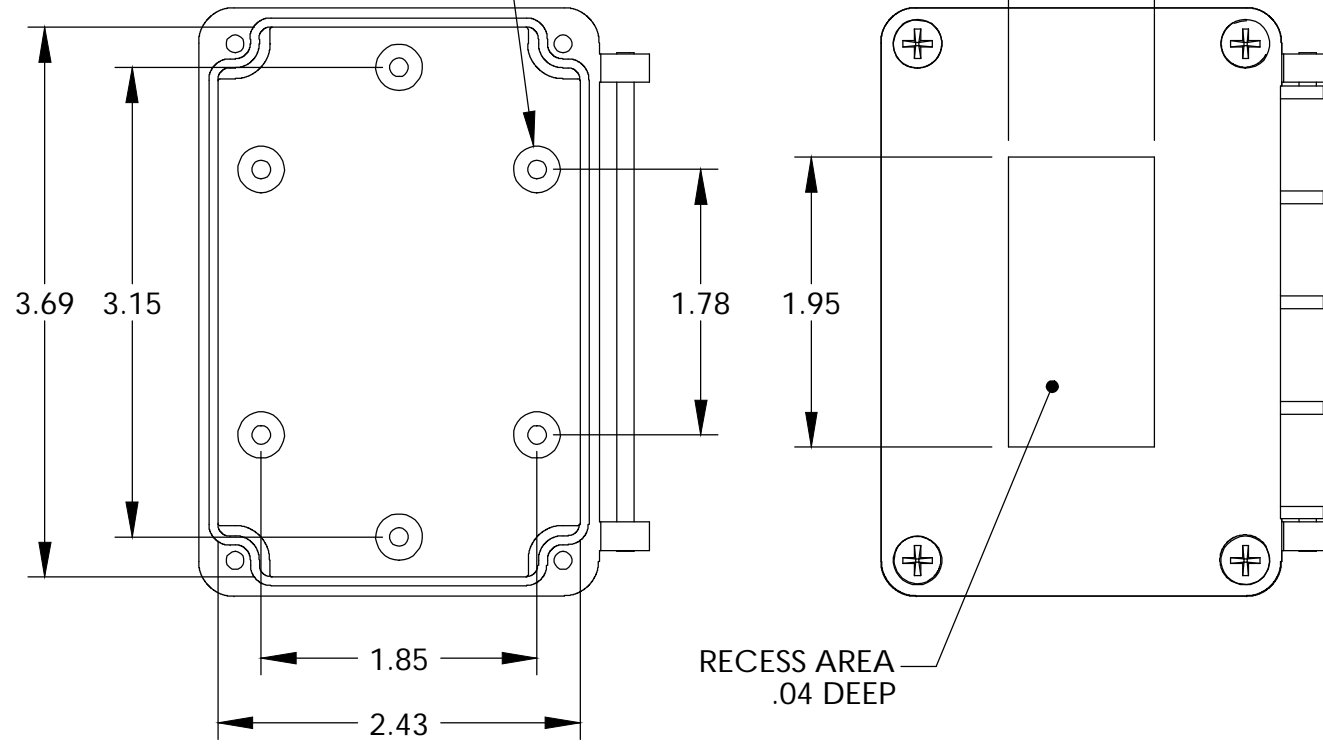
BODY

Ø .31 BOSS WITH  
M4x.7 TAPPED HOLE  
x .25 DEEP (6) PLACES

M4x.7 TAPPED HOLE  
.40 DEEP IN BODY  
(4) PLACES FOR WALL  
MOUNT BRACKETS

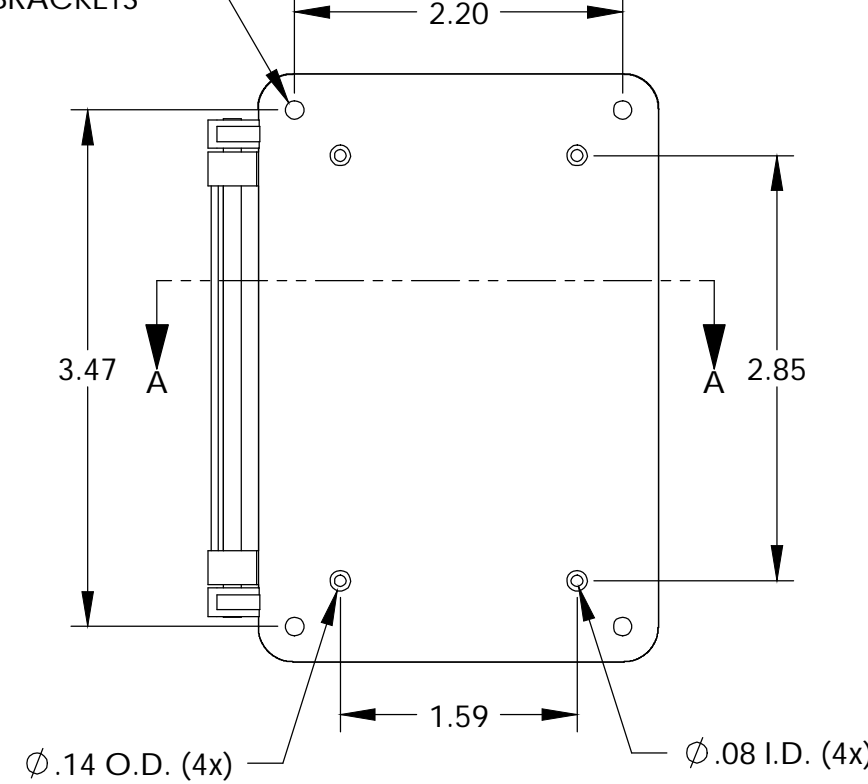
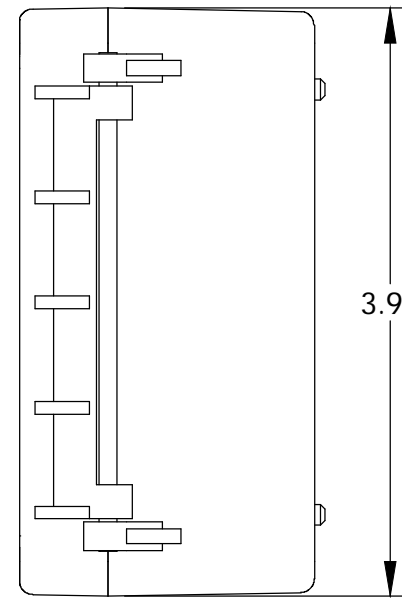
REFERENCE SHOWN WITH MOUNTING BRACKETS  
ASSEMBLED (SHIPPED UNASSEMBLED AND  
SUPPLIED WITH M4x.7 x .33" LG. PAN HD. SCREWS)

MATERIAL: ALUMINUM ADC-12  
FINISH: SMOOTH BLACK POWDERCOAT

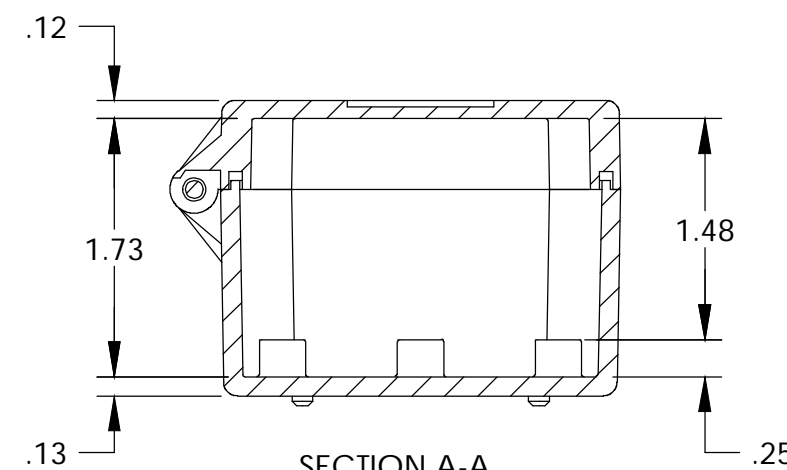
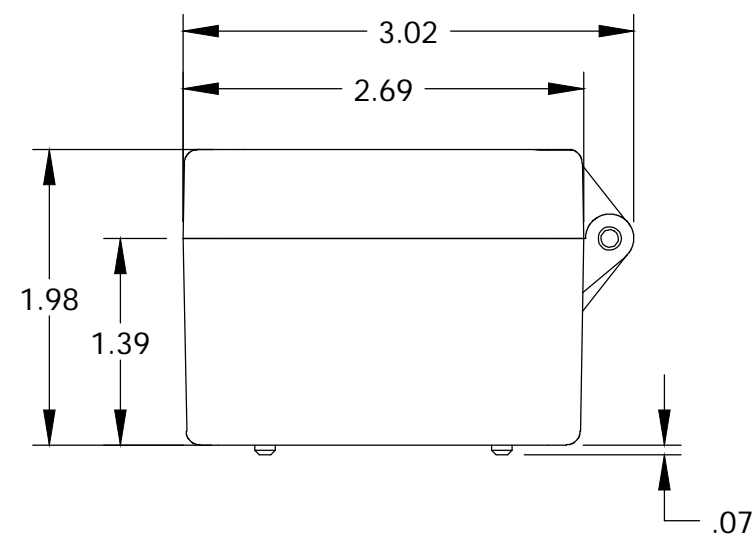
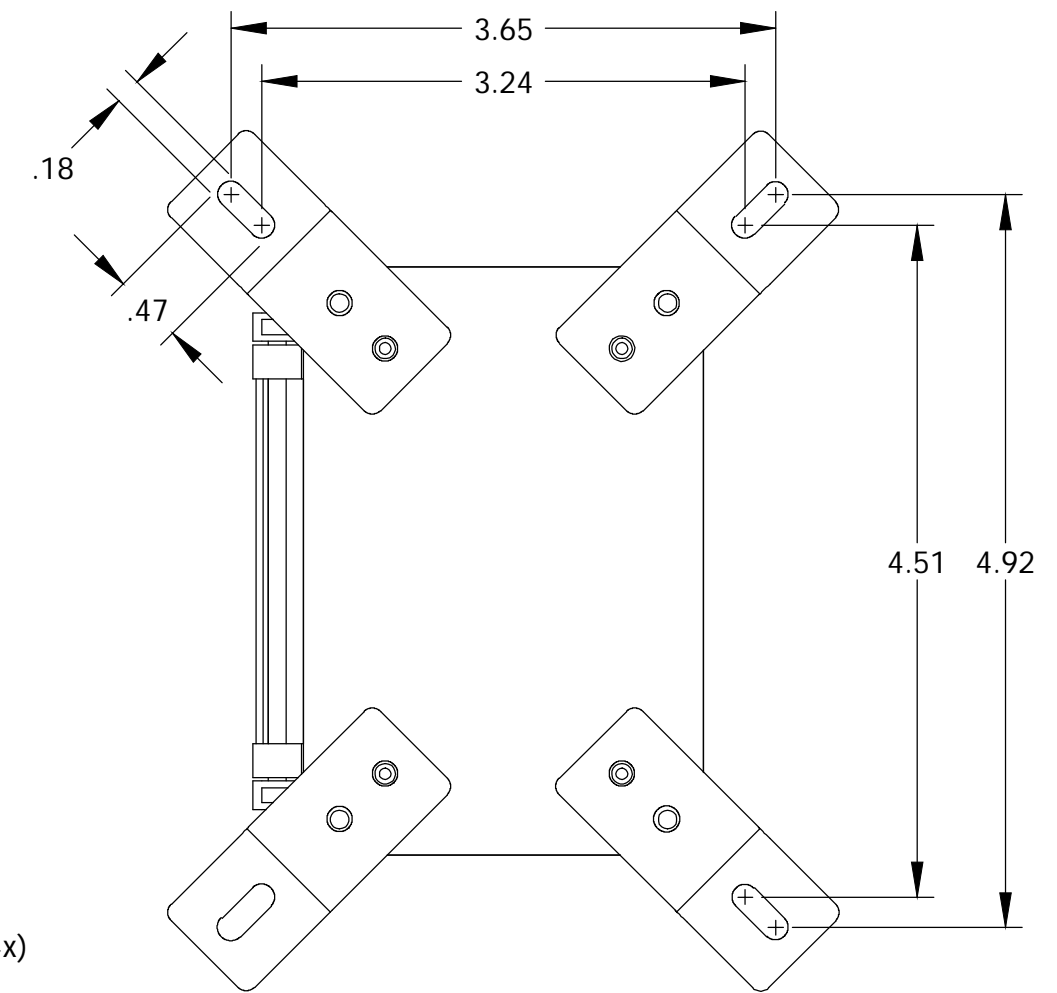


VIEW LESS COVER

RECESS AREA  
.04 DEEP



SECTION A-A



PARTS LIST		BUD INDUSTRIES INC.	
APPROVALS	DATE	NEMA HINGED BOX	
DRAWN DP	5/31/05		
CHECKED		DWG. NO. AN-2900	
APPROVED		REV.	
QTY.	USED ON	SCALE	CAD FILE: SHEET 1 OF 1

QTY.	USED ON	SCALE	CAD FILE:	SHEET 1 OF 1
------	---------	-------	-----------	--------------