



COAXIAL

# Termination

## ANNE-50K+

50Ω DC to 40 GHz 2.92 mm-Male

### THE BIG DEAL

- Ultra-Wideband, DC to 40 GHz
- Excellent Return Loss, 35 dB up to 4 GHz; 20 dB up to 40 GHz
- Input Power Handling up to 1W
- Mates with SMA, K, and 3.5mm Connector Types



Generic photo used for illustration purposes only

Model No.	ANNE-50K+
Case Style	LL2699-1
Connectors	2.92 mm-Male

### +RoHS Compliant

The +Suffix identifies RoHS Compliance.  
See our website for methodologies and qualifications

### APPLICATIONS

- Cellular Communications
- Satellite Communications
- Test Set-up
- Defense & Radar

### PRODUCT OVERVIEW

Mini-Circuits' ANNE-50K+ is an ultra-wideband 50Ω termination capable of absorbing signals up to 1W from DC to 40 GHz. It provides excellent return loss across its entire operating frequency range, effectively dissipating signal power with minimal reflections. This model has a 2.92mm-male connector, allowing connections with SMA, K and 3.5mm type connectors. The unit features rugged construction for a long life of use and comes in a gold-plated brass case measuring only 0.58" (l) x 0.37" (dia.).

### KEY FEATURES

Features	Advantages
Ultra-Wideband, DC to 40 GHz	Extremely wide frequency range provides application flexibility and makes this model ideal for broadband and multi-band use.
Good Return Loss: <ul style="list-style-type: none"> <li>• 35 dB up to 4000 MHz</li> <li>• 20 dB up to 40000 MHz</li> </ul>	Good return loss minimizes signal reflections across multiple-decade frequency range.
2.92mm-Male Connector mates with SMA, K and 3.5mm connectors	Provides flexible connection options, avoiding the need for extra adapters.
Power Handling up to 1W	ANNE-50K+ meets a wide range of system power requirements in a small device size.
Wide Operating Temperature Range, -55 to +100 °C	Withstands tough operating conditions and is suitable for use near high power componentry where heat rise is common.

REV. B  
ECO-016342  
ANNE-50K+  
MCL NY  
230831





COAXIAL

# Termination

## ANNE-50K+

50Ω DC to 40 GHz 2.92 mm-Male

### ELECTRICAL SPECIFICATIONS AT 25°C

Parameter	Condition (GHz)	Min.	Typ.	Max.	Unit
Frequency Range		DC	—	40	GHz
Impedance		50			Ohms
Return Loss	DC - 4	28	35	—	dB
	4 - 18	20	30	—	
	18 - 30	19	25	—	
	30 - 40	16	20	—	
Input Power <sup>1</sup>	DC - 40	—	—	1	W

1. At 25°C, derate linearly to 350 mW at 100°C.

### ABSOLUTE MAXIMUM RATINGS<sup>1</sup>

Parameter	Ratings
Operating Temperature	-55 °C to +100 °C
Storage Temperature	-55 °C to +100 °C

1. Permanent damage may occur if any of these limits are exceeded.



COAXIAL

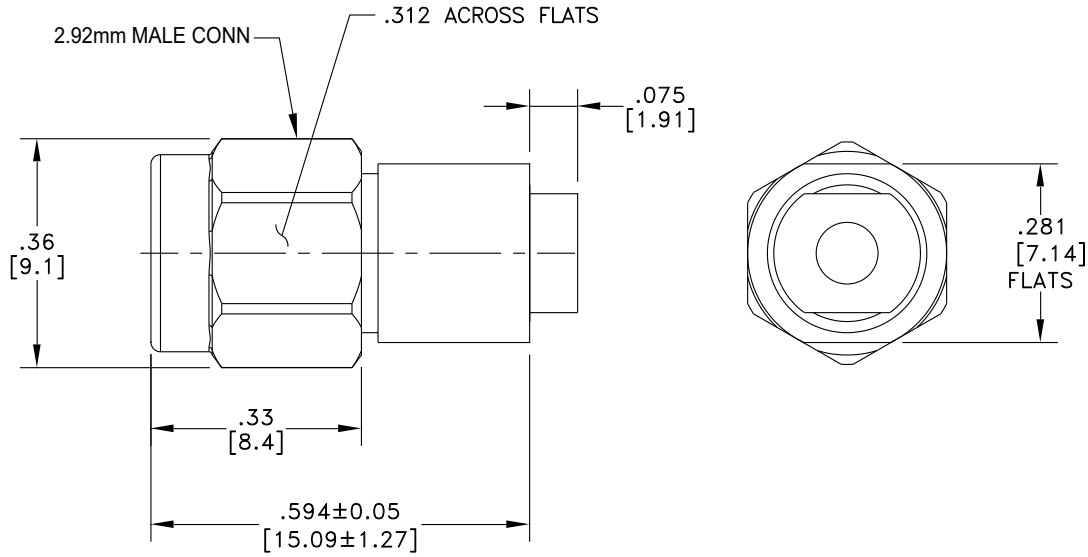
# Termination

**ANNE-50K+**

Mini-Circuits

50Ω DC to 40 GHz 2.92 mm-Male

## OUTLINE DRAWING



Weight: 4.0 grams

Dimensions are in inches [mm]. Tolerances: 2 PL. ± .03; 3 PL ± .010