



COAXIAL

# Termination

## ANNEF-50V+

50Ω DC to 50 GHz 2.4 mm-Female

### THE BIG DEAL

- Ultra-Wideband, DC to 50 GHz
- Excellent Return Loss, 20 dB typ. up to 50 GHz
- Input Power Handling up to 1W
- Mates with 1.85mm, 3.5mm, 2.92mm and SMA Connectors



Generic photo used for illustration purposes only

Model No.	ANNEF-50V+
Case Style	LL2592-1
Connectors	2.4 mm-Female

### +RoHS Compliant

The +Suffix identifies RoHS Compliance. See our website for methodologies and qualifications

### APPLICATIONS

- Test and Measurement Equipment
- Test Labs
- Defense and Aerospace
- 5G Applications
- Q and V band Communication Links

### PRODUCT OVERVIEW

Mini-Circuits' ANNEF-50V+ is an ultra-wideband 50Ω termination capable of absorbing signals up to 1W from DC to 50 GHz. It provides excellent return loss across its entire operating frequency range, effectively dissipating signal power with minimal reflections. This model has a 2.4 mm-female connector, mechanically compatible with 1.85mm, 3.5mm, 2.92mm and SMA connectors. The unit features rugged construction for a long life of use and comes in a passivated stainless steel case measuring only 0.61" (l) x 0.31" (dia.).

### KEY FEATURES

Features	Advantages
Ultra-Wideband, DC to 50 GHz	Extremely wide frequency range provides application flexibility and makes this model ideal for broadband and multi-band use.
Good Return Loss, 20 dB up to 50 GHz	Good return loss minimizes signal reflections across multiple-decade frequency range.
2.4 mm connector mates with 1.85mm, 3.5mm, 2.92mm and SMA connectors	Provides flexible connection options, avoiding the need for extra adapters.
Power Handling up to 1W	ANNEF-50V+ meets a wide range of system power requirements in a small device size.
Wide Operating Temperature Range, -55 to +100 °C	Withstands tough operating conditions and is suitable for use near high power componentry where heat rise is common.

REV. A  
ECO-016342  
ANNEF-50V+  
MCL NY  
230106





COAXIAL

# Termination

## ANNEF-50V+

50Ω DC to 50 GHz 2.4 mm-Female

### ELECTRICAL SPECIFICATIONS AT 25°C

Parameter	Condition (GHz)	Min.	Typ.	Max.	Unit
Frequency Range		DC	—	50	GHz
Impedance		50			Ohms
Return Loss	DC - 18	23	41	—	dB
	18 - 35	17	30	—	
	35 - 50	14.8	23	—	
Input Power <sup>1</sup>	DC - 50	—	—	1	W

1. Max. input power at 25°C ambient, derate to 25W at 125°C.

### ABSOLUTE MAXIMUM RATINGS<sup>1</sup>

Parameter	Ratings
Operating Temperature	-55 °C to +100 °C
Storage Temperature	-55 °C to +100 °C

1. Permanent damage may occur if any of these limits are exceeded.





COAXIAL

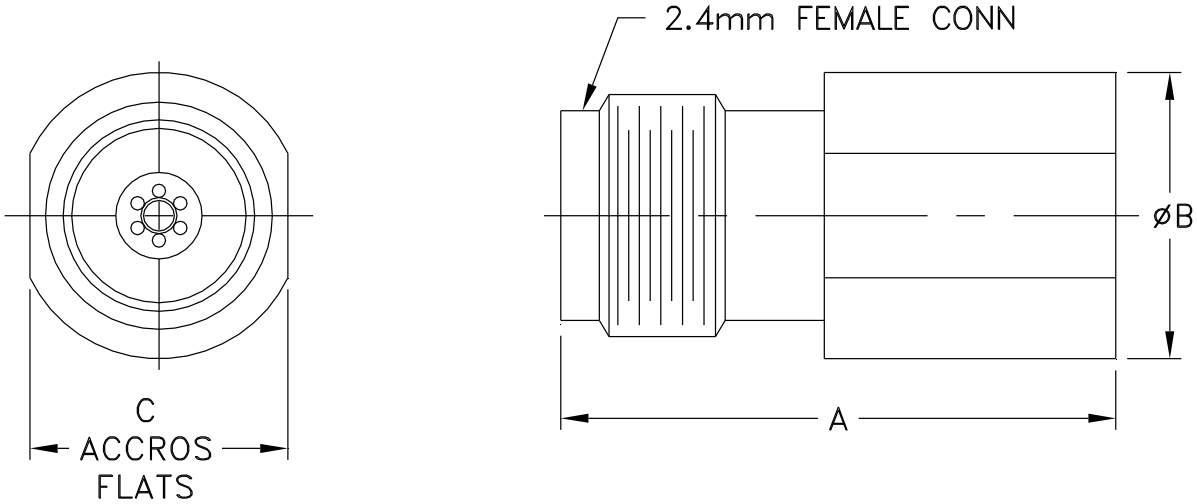
# Termination

## ANNEF-50V+

Mini-Circuits

50Ω DC to 50 GHz 2.4 mm-Female

### OUTLINE DRAWING



### OUTLINE DIMENSIONS (Inch mm)

A	B	C	D	E	wt
.605	.312	.281	—	—	grams
15.4	7.9	7.1	—	—	4.5