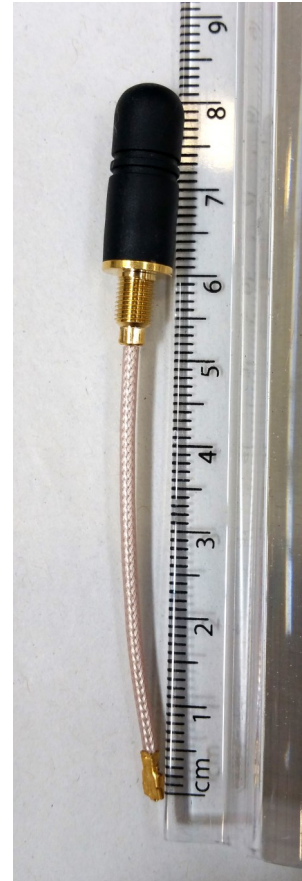


## 2.4GHz Miniature PIGTail Antenna

### Features

- 1/4 Wave Monopole Antenna
- 21mm long
- 50mm PIGtail to IPEX (ufl)
- Rugged Flexible Plastic Finish.
- VSWR  $\leq 2.0$
- Omni-Directional Design
- 50ohm Impedance
- Nominal Gain 0dBi
- Omni-Directional Design
- Operating Temp  $-40$  to  $+70^{\circ}\text{C}$
- Insulation resistance  $500\text{M}\Omega$  @ $500\text{Vdc}$
- Custom Cables on request



### Applications

- WiFi Applications
- General Low Power Radio
- M2M Applications

### Ordering Information

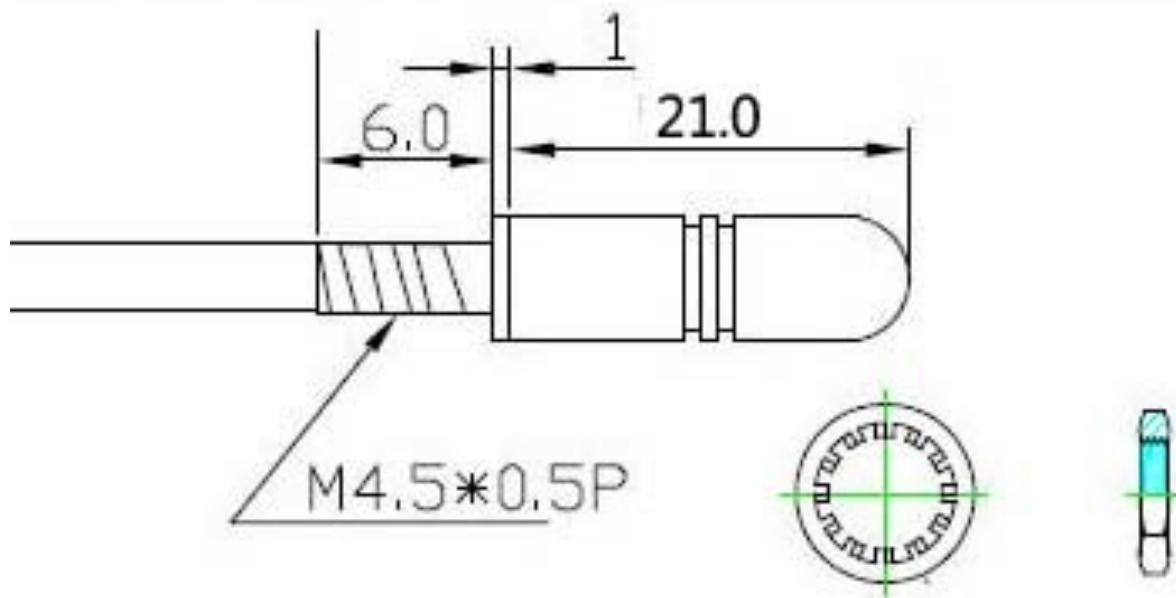
PART No	Description
ANT-24G-S21-P5FL	Stubby Antenna straight 50mm RG178 to iPEX (ufl)

### Custom Versions

Custom versions are available, for example, alternative cable type and length (RG178 with varying OD)  
Alternative connectors e.g. MMCX, MCX, SMA etc or open ended.

## Mechanical Data

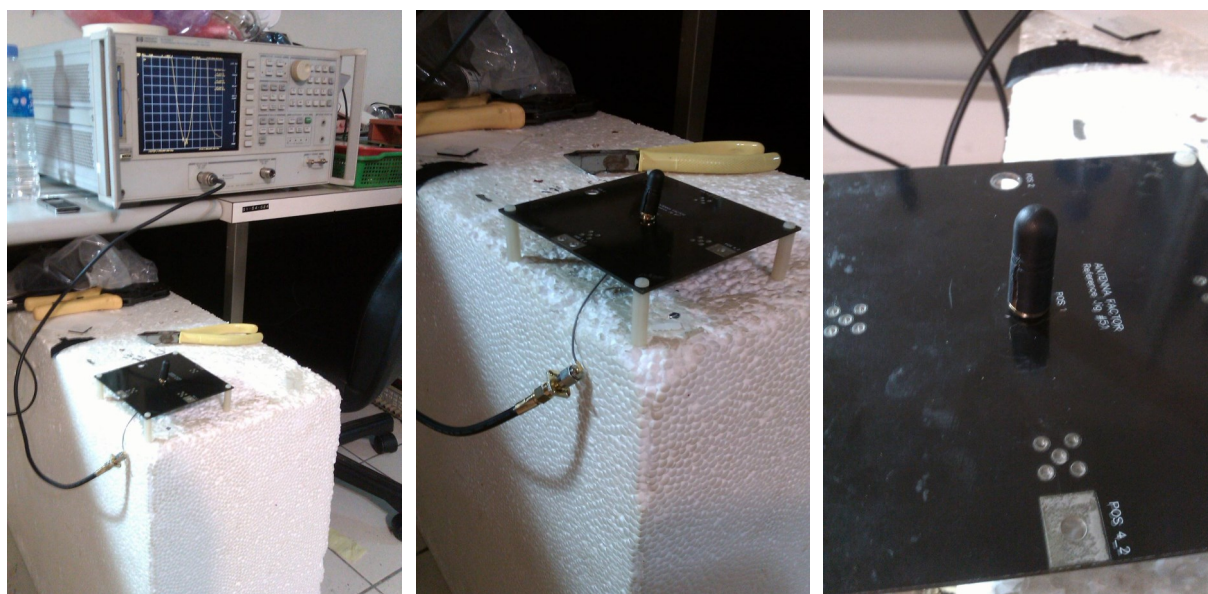
Mounting Thread is M4.5 x 0.5P, Length 6mm



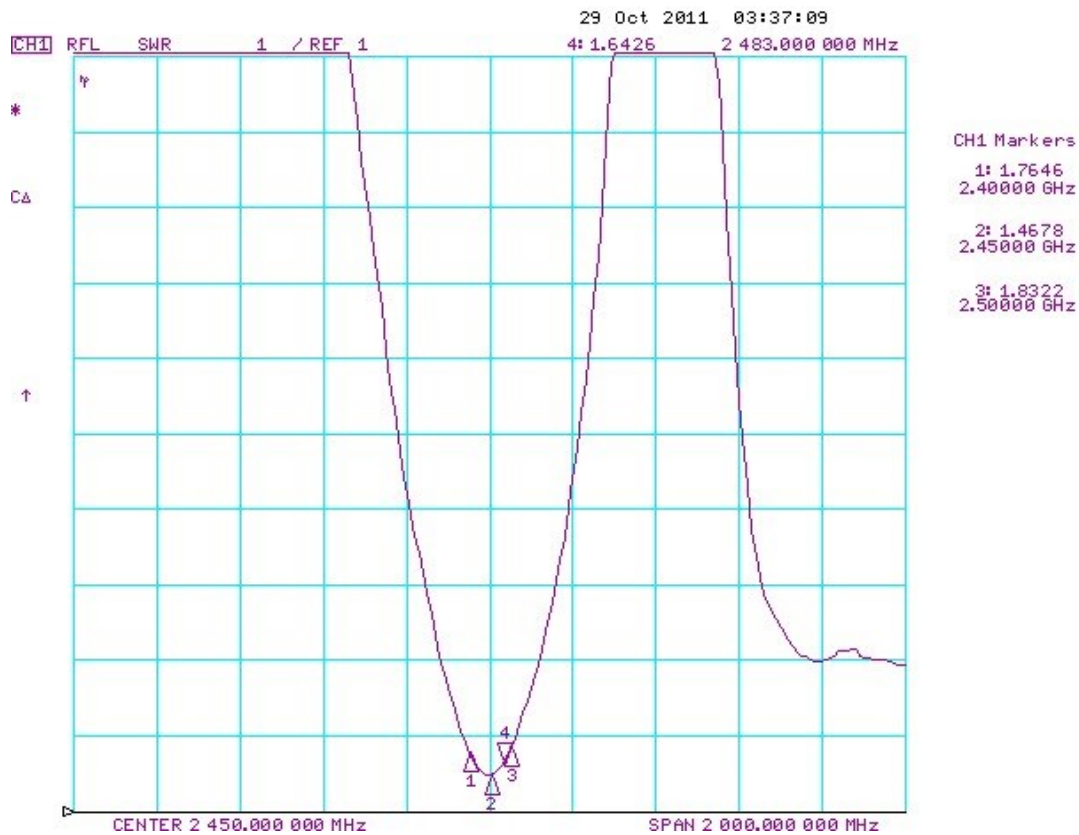
## Test Setup for Measurements

Characteristics for this antenna were taken with the following conditions:

1. Antenna mounted on a ground plane 100x100mm.
2. Measurement Equipment: HP 8753ET 300KHZ~6 GHZ
3. Cable: CFD200, 500mm, SMA(M) to SMA(M)



## VSWR



## Return Loss

