

## ANT-MAG-Bxx-xxx

# Data Sheet

### Product Description

These magnetic bases are available in 50, 66, or 85mm diameters, and contain powerful magnets suitable for semi-permanent installation on metal surfaces. The base is covered with a thin protective layer to preserve finished surfaces, such as those on automobiles, and is fully weatherized to withstand long-term outdoor exposure. The base is fed by RG-174 or RG-58 coax featuring a molded strain relief at the point of entry. The threaded mounting post accepts a wide range of ELE Series elements (not included) in a variety of styles and frequency ranges.

### Features

- Powerful magnet for reliable attachment
- Rubber skin protects attachment surface
- Overmolded cable with strain relief
- Rugged weatherized metal construction
- Attractive and durable black finish
- SMA, RP-SMA, TNC or custom connector

### Electrical Specifications

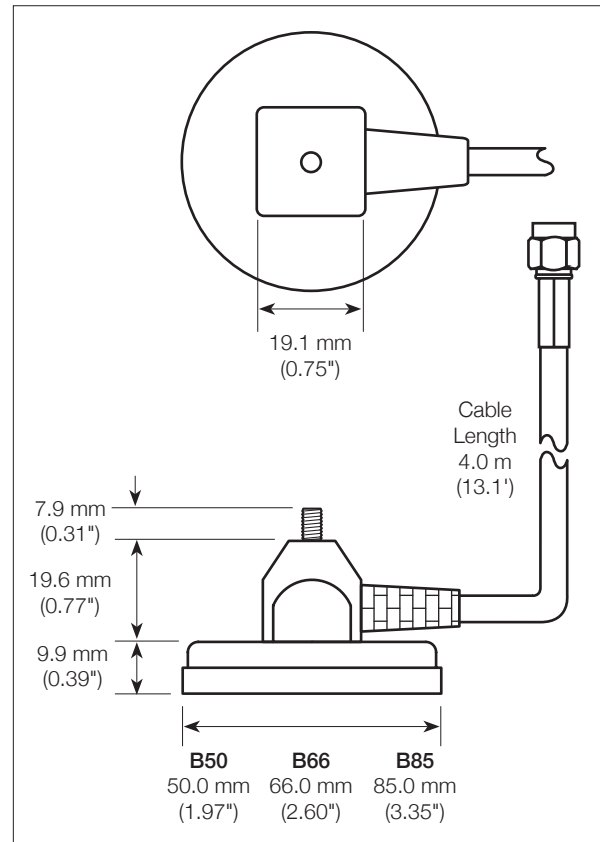
Cable: SMA: RG-174  
RP-SMA: RG-174  
TNC: RG-58

Impedance: 50-ohms

Oper. Temp. Range: -40°C to +80°C

### Ordering Information

ANT-MAG-B50-SMA (with SMA connector)  
ANT-MAG-B50-RPS (with RP-SMA connector)  
ANT-MAG-B50-TNC (with TNC connector)  
ANT-MAG-B66-SMA (with SMA connector)  
ANT-MAG-B66-RPS (with RP-SMA connector)  
ANT-MAG-B66-TNC (with TNC connector)  
ANT-MAG-B85-SMA (with SMA connector)  
ANT-MAG-B85-RPS (with RP-SMA connector)  
ANT-MAG-B85-TNC (with TNC connector)



---

## TE TECHNICAL SUPPORT CENTER

USA:	+1 (800) 522-6752
Canada:	+1 (905) 475-6222
Mexico:	+52 (0) 55-1106-0800
Latin/S. America:	+54 (0) 11-4733-2200
Germany:	+49 (0) 6251-133-1999
UK:	+44 (0) 800-267666
France:	+33 (0) 1-3420-8686
Netherlands:	+31 (0) 73-6246-999
China:	+86 (0) 400-820-6015

## te.com

TE Connectivity, TE, TE connectivity (logo), Linx and Linx Technologies are trademarks owned or licensed by the TE Connectivity Ltd. family of companies. All other logos, products and/or company names referred to herein might be trademarks of their respective owners.

The information given herein, including drawings, illustrations and schematics which are intended for illustration purposes only, is believed to be reliable. However, TE Connectivity makes no warranties as to its accuracy or completeness and disclaims any liability in connection with its use. TE Connectivity's obligations shall only be as set forth in TE Connectivity's Standard Terms and Conditions of Sale for this product and in no case will TE Connectivity be liable for any incidental, indirect or consequential damages arising out of the sale, resale, use or misuse of the product. Users of TE Connectivity products should make their own evaluation to determine the suitability of each such product for the specific application.

TE Connectivity warrants to the original end user customer of its products that its products are free from defects in material and workmanship. Subject to conditions and limitations TE Connectivity will, at its option, either repair or replace any part of its products that prove defective because of improper workmanship or materials. This limited warranty is in force for the useful lifetime of the original end product into which the TE Connectivity product is installed. Useful lifetime of the original end product may vary but is not warranted to exceed one (1) year from the original date of the end product purchase.

©2023 TE Connectivity. All Rights Reserved.

05/23 Original