

## Miniature Stubby SMA

### Features

- 1/4 Wave Monopole Antenna
- Omni-Directional
- VSWR <2.0
- SMA Male Connector
- 50Ω Impedance
- 0dBi Gain
- ABS / Rubber Housing
- Operates from -40 to+70°C



### Applications

- General Low Power Radio
- M2M Applications
- Telemetry

### Description

A Miniature antenna for demanding applications. This antenna provides operation at both 433 with unity gain. Housed in a rugged low profile ABS, this antenna is compact and resistant to Vandalism.

### Ordering Information

Part No	Description
ANT-STUB-433SM	Stubby Antenna 433MHz SMA(M)
ANT-STUBR-433SM	Stubby Antenna 90deg 433MHz SMA(M)

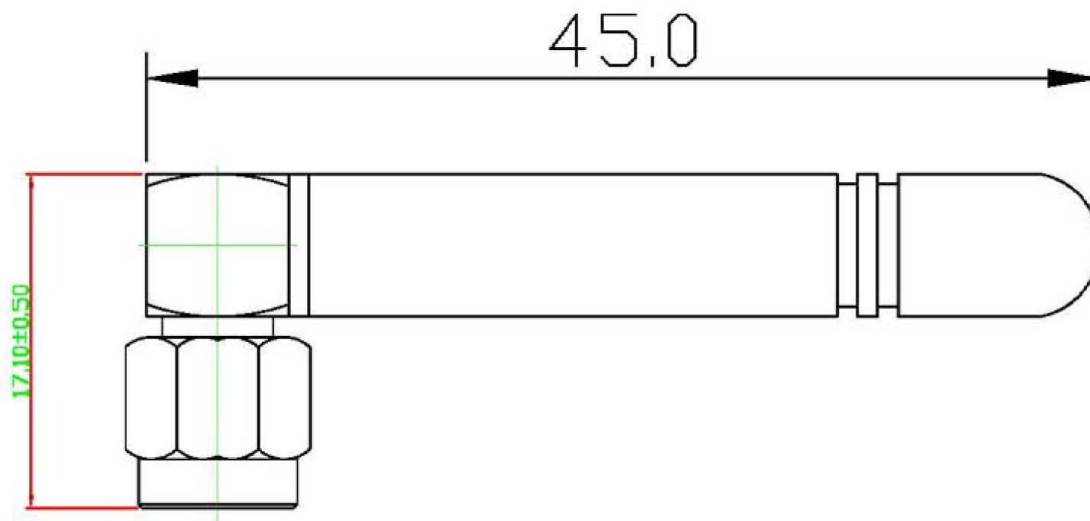
# ANT-STUB Antenna



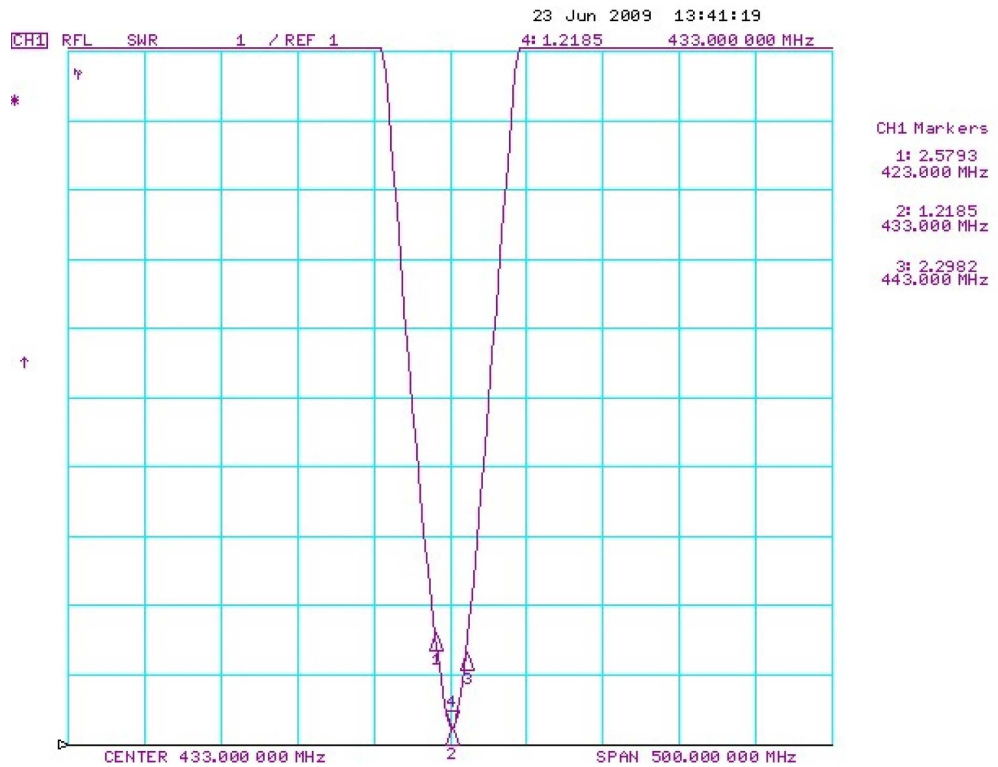
## Mechanical Detail—Straight Version



## Mechanical Detail—90Deg Version



## Performance Data – VSWR



## Performance Data – RETURN LOSS

