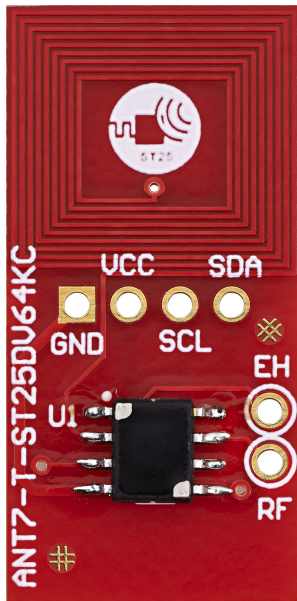


14 mm x 14 mm antenna reference board for the ST25DV64KC dual interface EEPROM



Features

- Ready to use printed circuit board including:
 - ST25DV64KC dual interface EEPROM
 - 14 mm x 14 mm, 13.56 MHz dual layer etched antenna
 - I²C test points
 - RF event configurable general purpose output (GPO)
 - Analog energy harvesting (EH) output

Description

The ANT7-T-25DV64KC antenna reference board is a ready to use PCB that features an ST25DV64KC connected to a 14 mm x 14 mm, 13.56 MHz etched RF double layer antenna on one side, and to an I²C bus on the other side.

This evaluation board allows system designers to evaluate the ST25DV64KC performance and capabilities, and to get started with their design.

To demonstrate the energy harvesting function the ANT7-T-25DV64KC can be used in conjunction with the ST DEMO-CR95HF-A board.

The board design and the Gerber files can be downloaded from www.st.com.

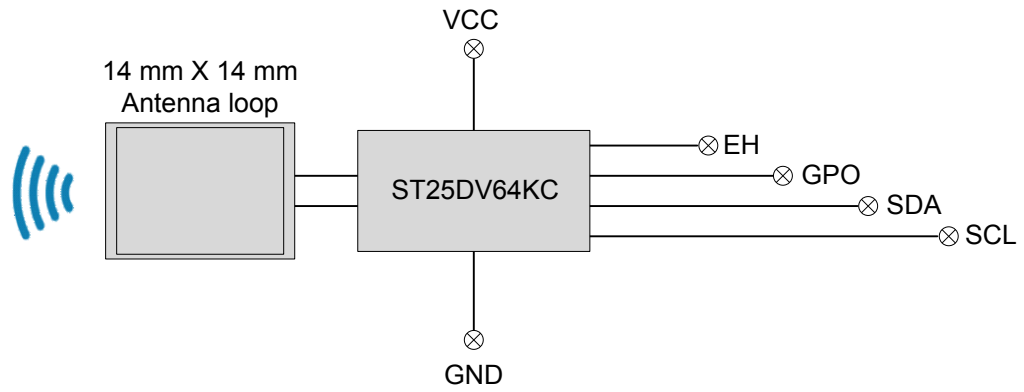
If externally powered, supply has to be safety extra-low voltage (SELV) according to EN60950-1 (< 5 V, < 15 W). The power supply is classified ES1 (electrical energy source class 1), PS1 (electrical power source class 1) according to EN62368-1.

Product status link

[ANT7-T-25DV64KC](#)

1 Block diagram

Figure 1. Functional block diagram



Revision history

Table 1. Document revision history

Date	Version	Changes
07-Jul-2021	1	Initial release.

Contents

1	Block diagram	2
	Revision history	3
	Contents	4
	List of tables	5
	List of figures	6



List of tables

Table 1. Document revision history 3

List of figures

Figure 1. Functional block diagram 2