

GSM/UMTS ANTENNAS

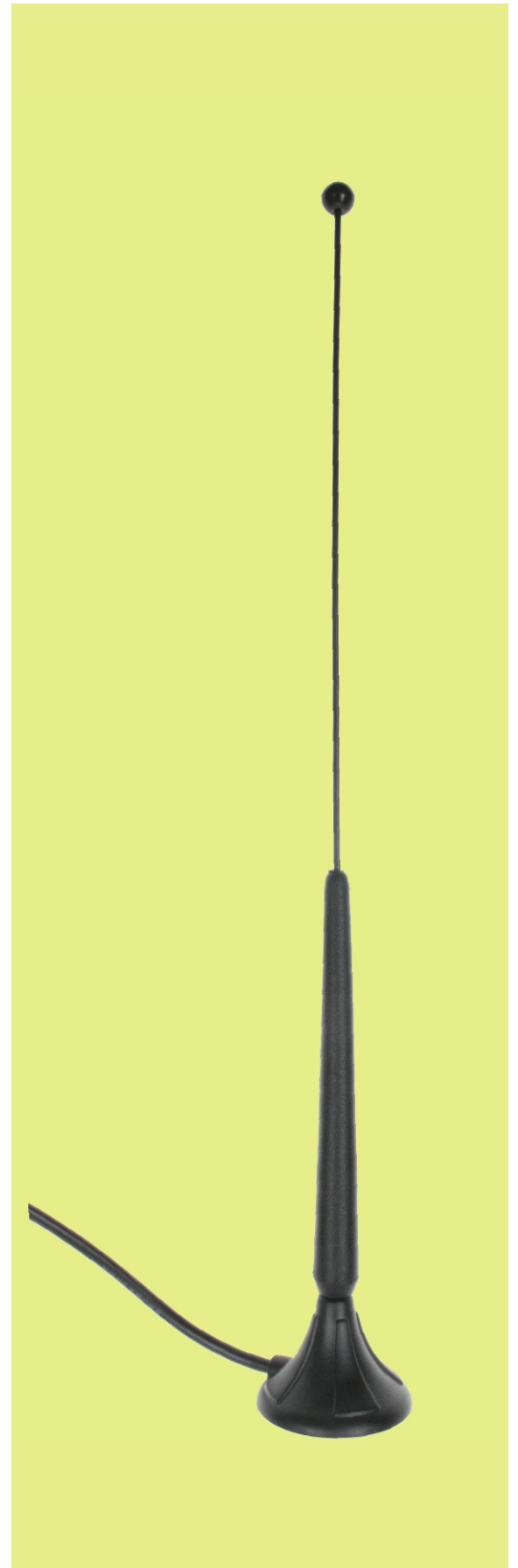
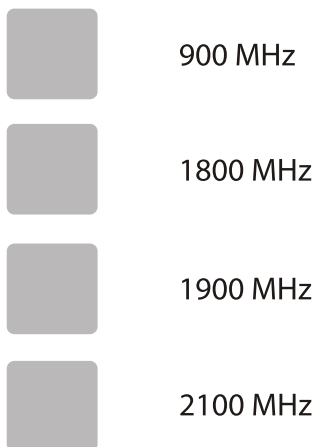
Antenna GSM/UMTS Magnetic U30, 3 dBi

SECTRON company offers wide portfolio of GSM antennas with various version differs by shape, level of gain or attachment manner.

SECTRON guarantee compatible connection between antenna and all antenna adaptors produced by SECTRON.

Features and benefits

- Quad-band 900/1800/1900/2100 MHz antenna
- Antenna suitable for outdoor using
- Magnetic base for easy attaching
- Thin bendy cable, length 3 m
- 3 dBi gain
- Available connectors: FME, SMA, RMCX

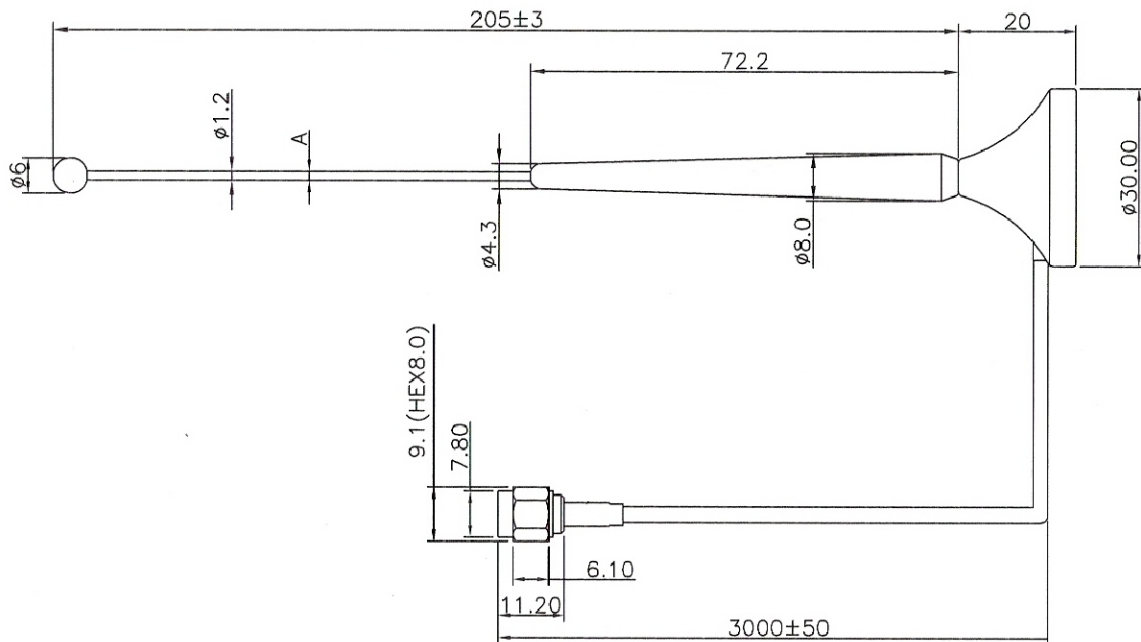


3 dBi	3 m	RG 174/U	FME optional	SMA optional	RMCX optional
-------	-----	----------	--------------	--------------	---------------

Specification

Frequency range	900/1800/1900/2100 MHz
Radiation	H-360°, V-30°
Polarization	vertical
Gain	3 dBi
VSWR	< 1,8 : 1
Impedance	50 Ω
Power handling	10 W max.

Drawing



Units: mm

Part Numbering

AO-AUMTS-M3S	Antenna GSM/UMTS Magnetic U30, 3 dBi, SMA
AO-AUMTS-M3F	Antenna GSM/UMTS Magnetic U30, 3 dBi, FME
AO-AUMTS-M3M	Antenna GSM/UMTS Magnetic U30, 3 dBi, RMCX

Mechanical Specification

Attachment manner	Magnetic
Available connectors	SMA(m), FME(f), RMCX(f)
Cable	RG 174/U, 3 m
Minimal radius for bending	15 mm / 30 mm repetitive
Operating Temperature	- 30 to + 90 °C
Storage temperature	- 40 to + 95 °C
Weight	66 g
Dimension	∅ 30 mm x 225 mm