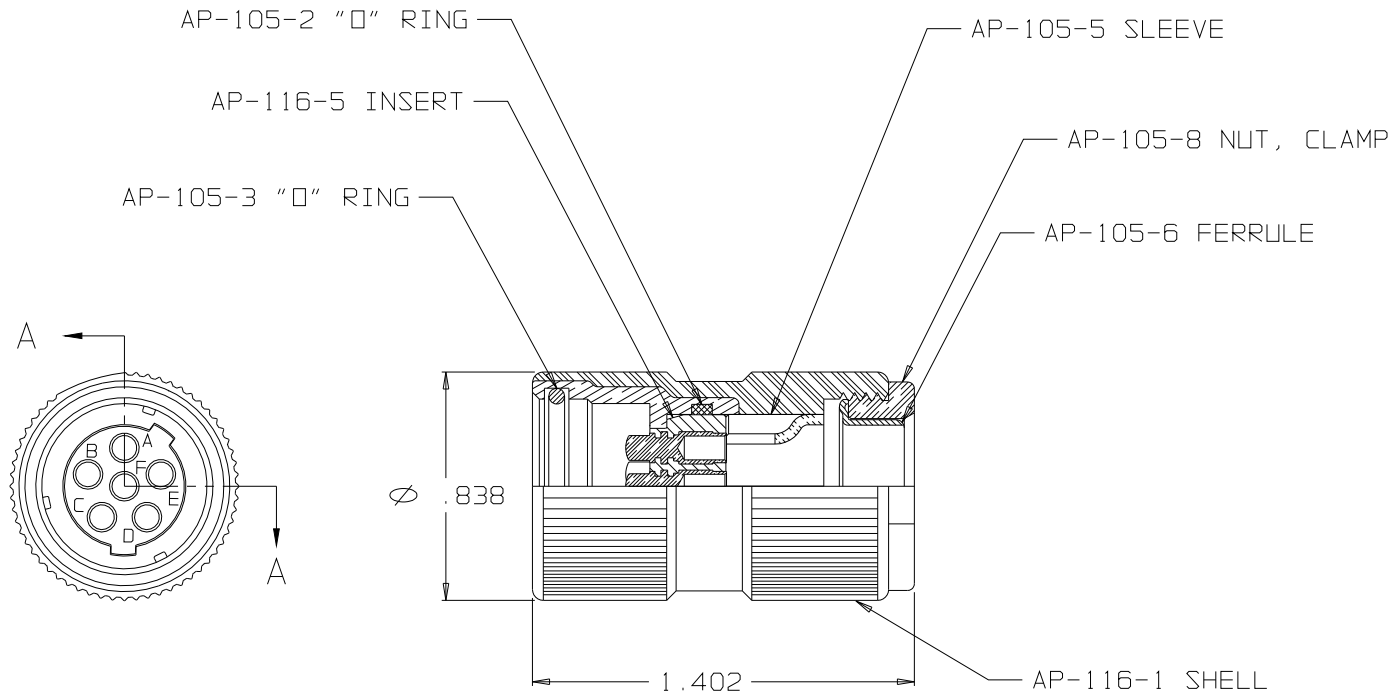


B AP-106



NOTE:
 1) LUBRICATE "O" RINGS (AP-105-2 & AP-105-3)
 WITH LUBRICANT DC-4 (DOW CORNING CORP.)

THIS DOCUMENT CONTAINS PROPRIETARY INFORMATION OF NEXUS, INCORPORATED AND SUCH INFORMATION MAY NOT BE DISCLOSED TO OTHERS FOR ANY PURPOSE OR USED FOR ANY PURPOSE WITHOUT THE WRITTEN CONSENT OF NEXUS.

A	REVISED		7/7/98	RWF
LET.	REVISION	CN #	DATE	CHK.

DWN. BY	EWT	DATE	7/9/98
CHECKED BY		DATE	
APPR. BY		DATE	
UNLESS OTHERWISE SPECIFIED DIMENSIONS ARE IN INCHES TOLERANCES ON .XX .XXX ANGLES .XX +/- .005			

MATERIAL	
FINISH	
WEIGHT	SCALE 2:1
TITLE MALE PLUG ASSEMBLY 6 CONDUCTOR	
DO NOT SCALE DWG.	SHEET 1 OF 1

NEXUS
 STAMFORD, CONN

SIZE **B** DWG. NO. **AP-106**