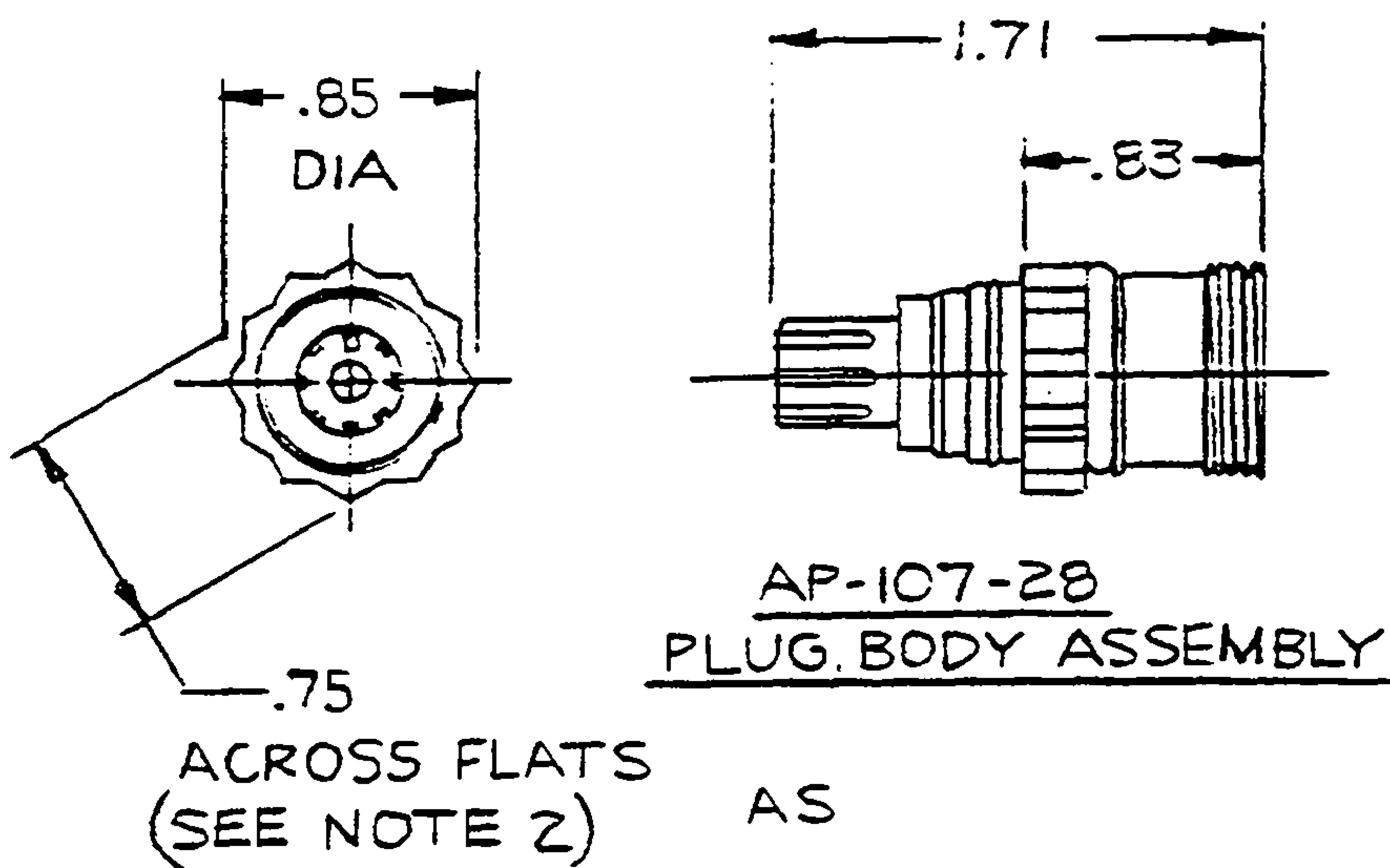
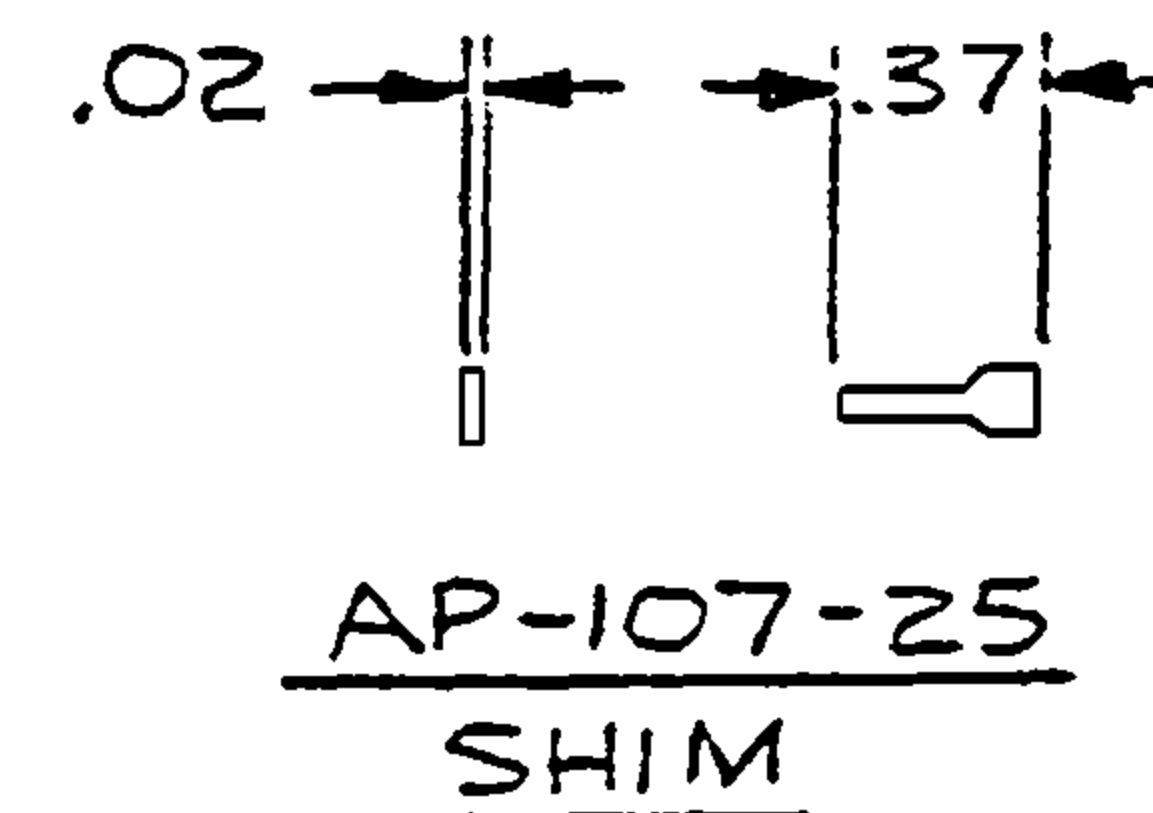
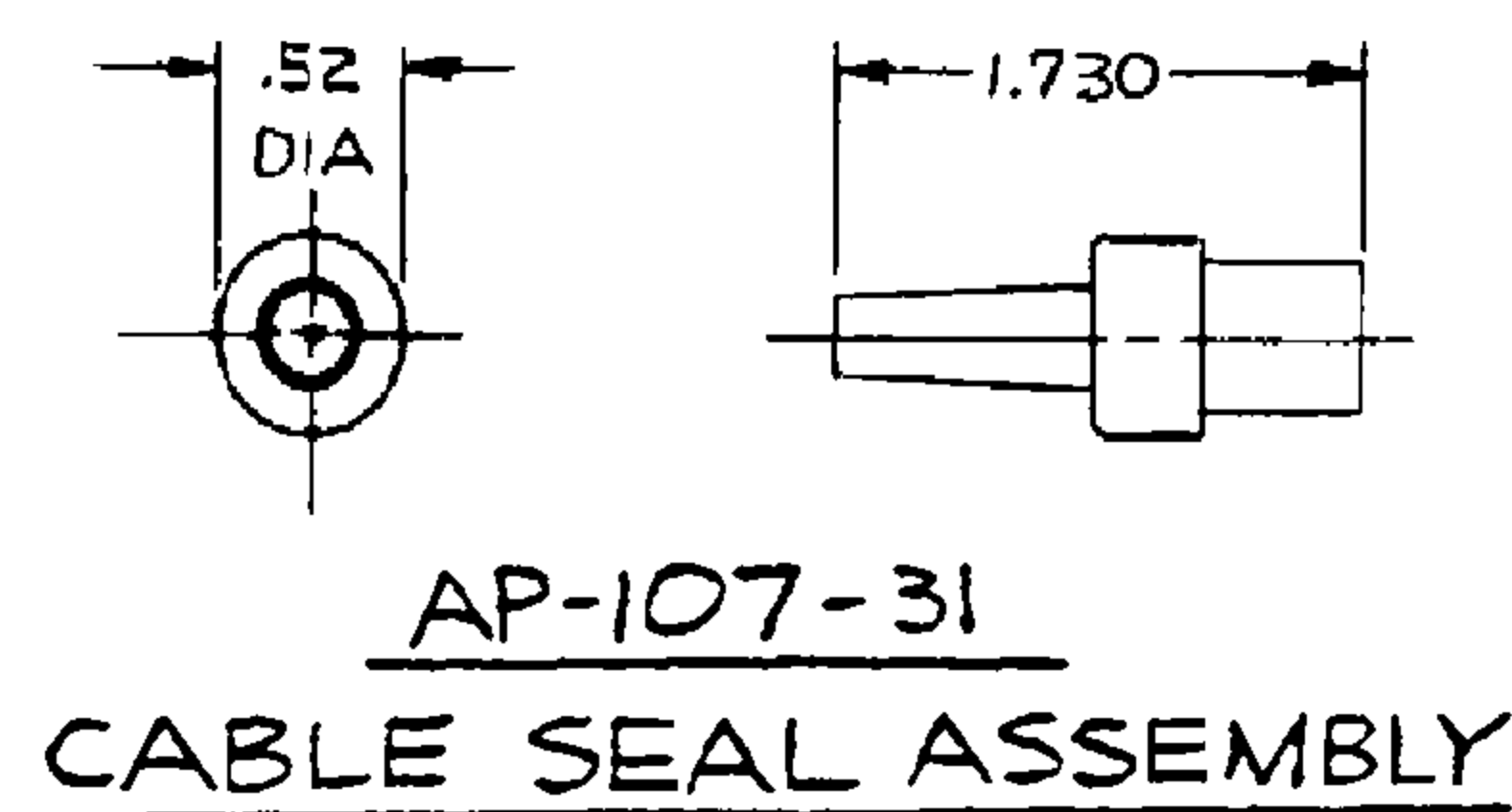
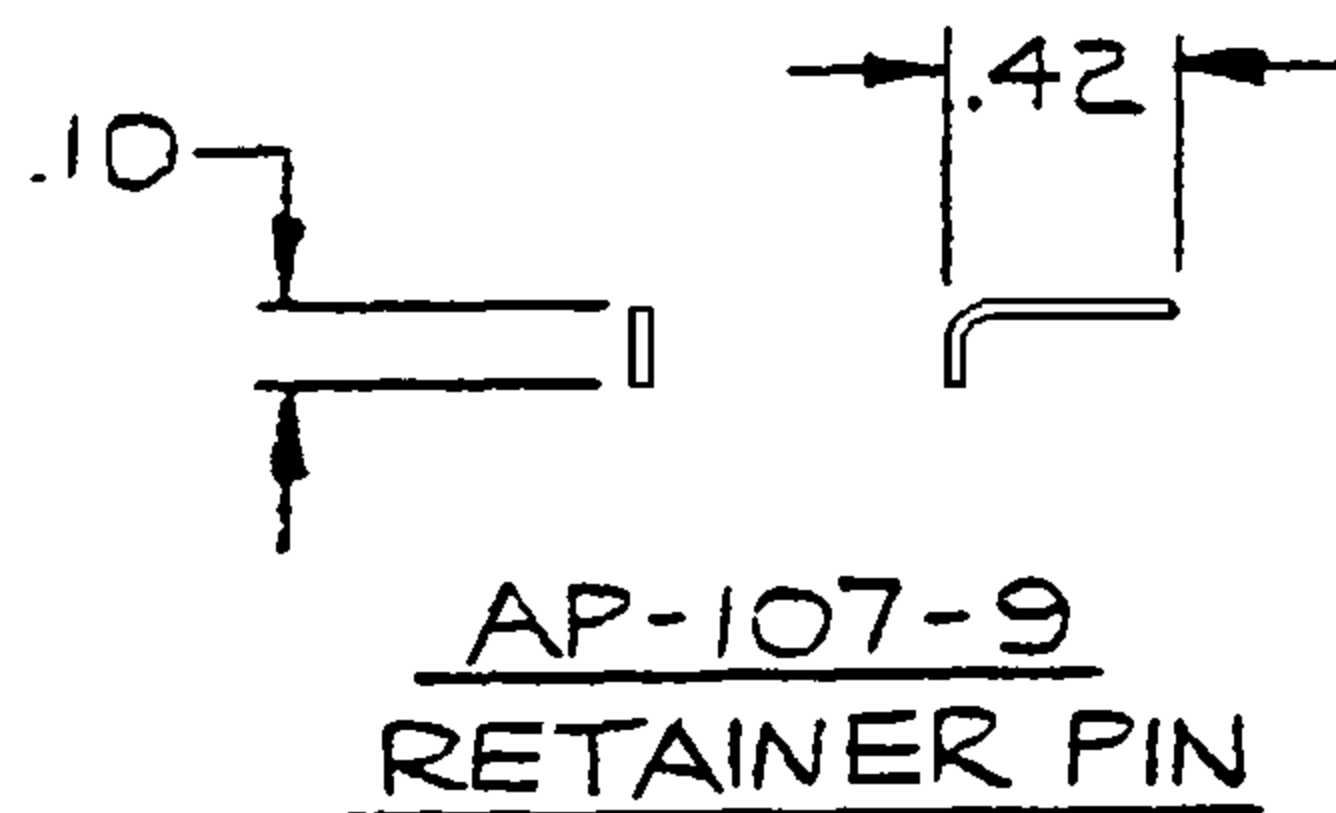
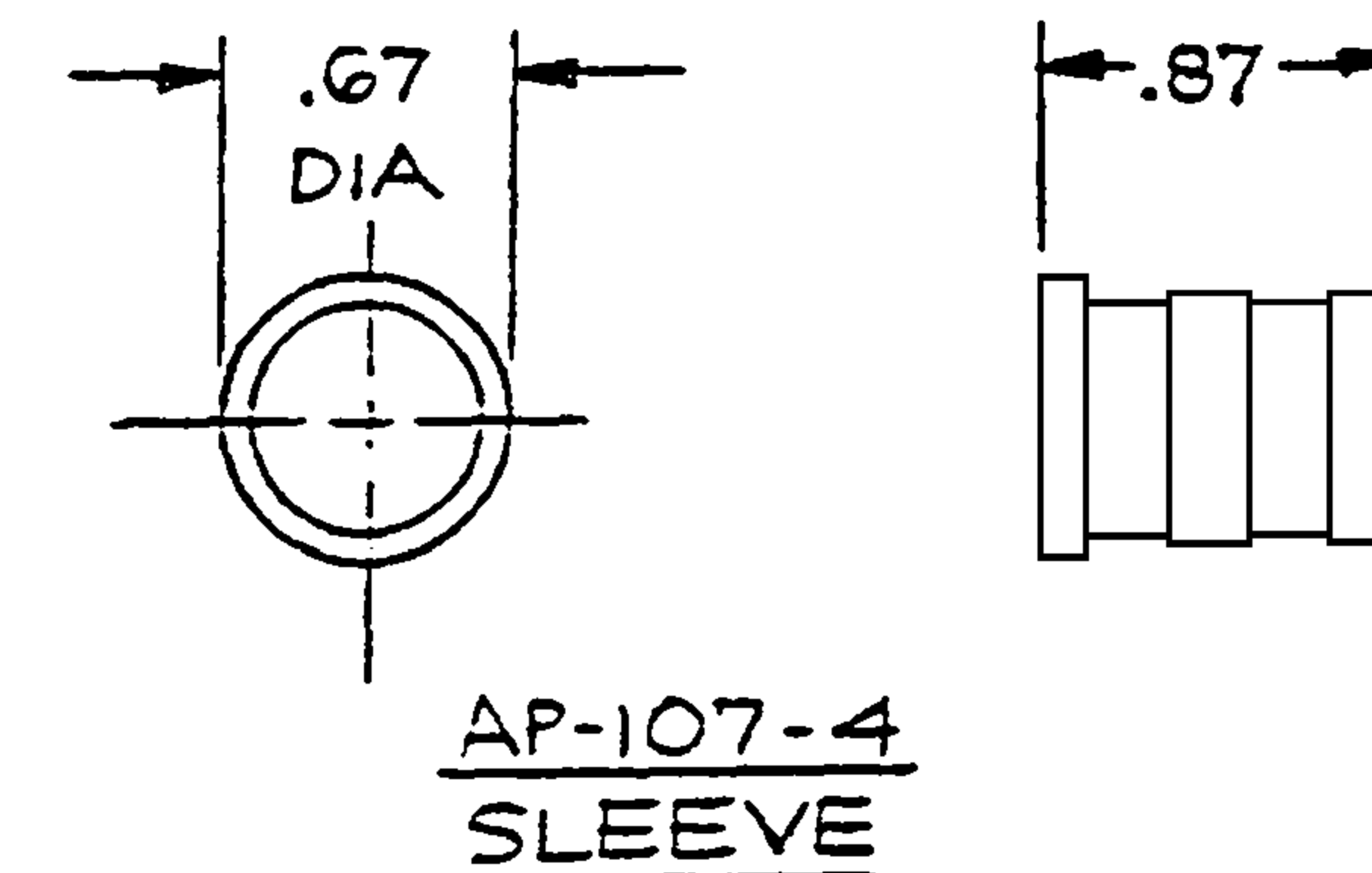
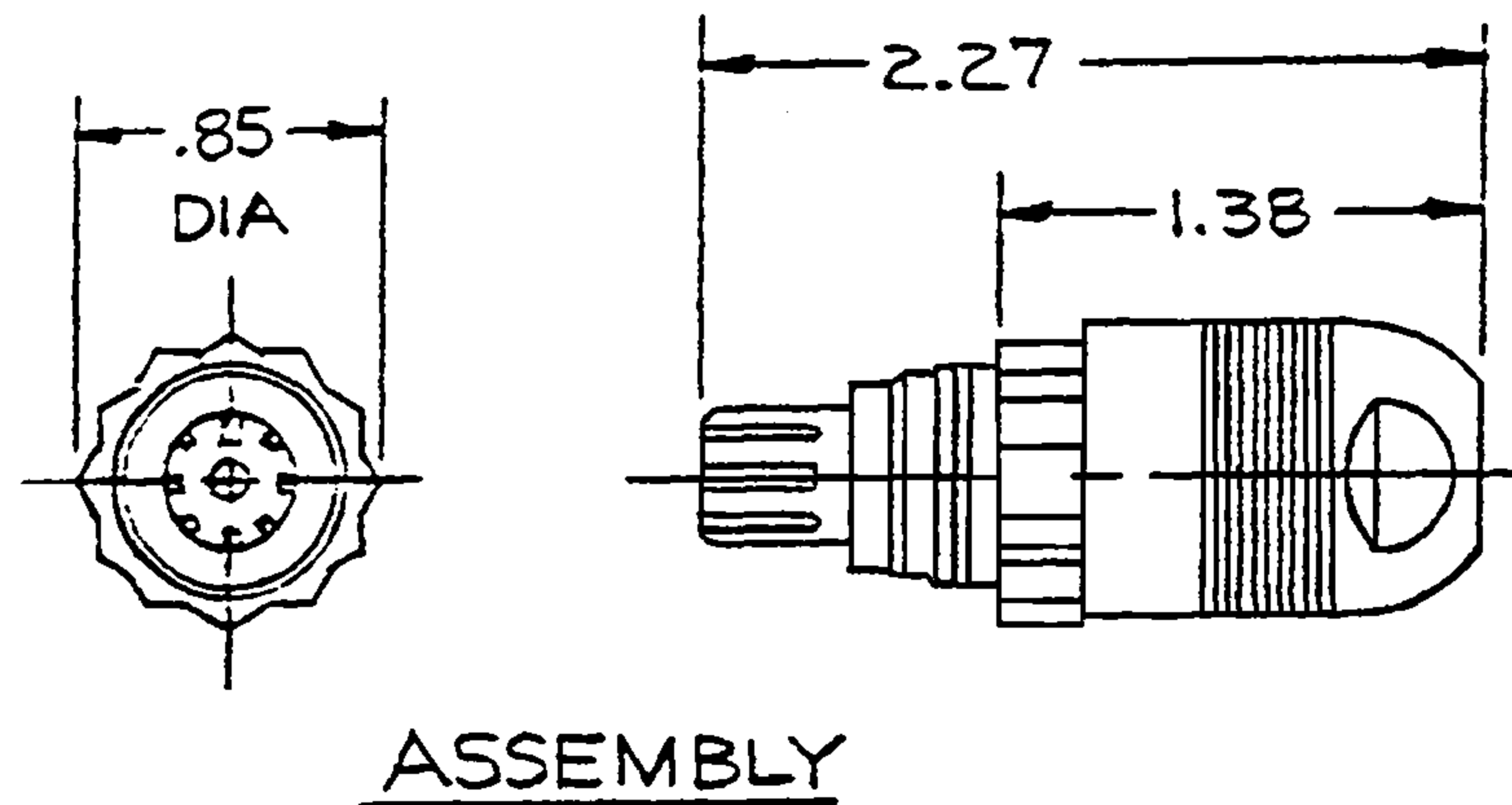
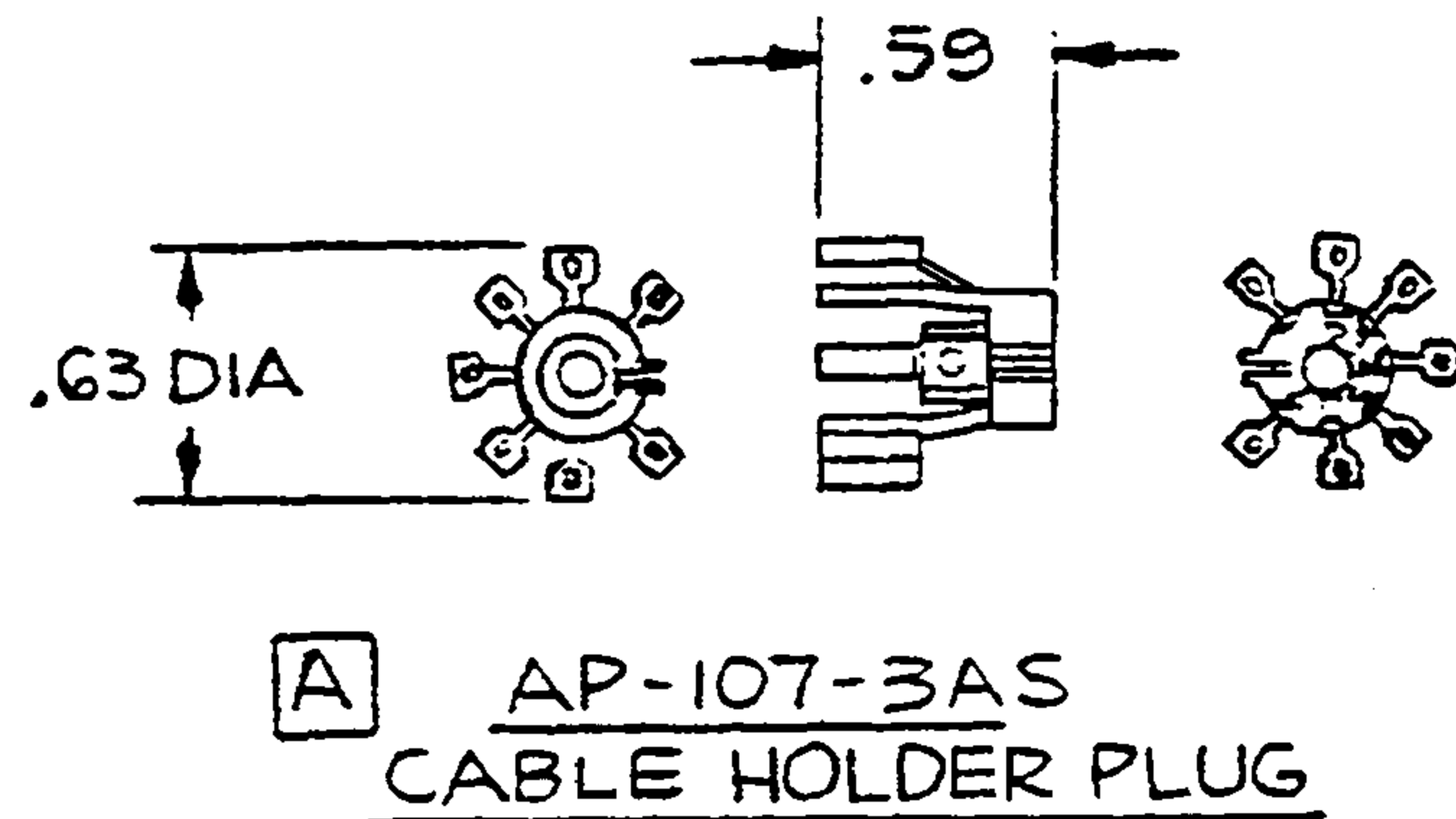
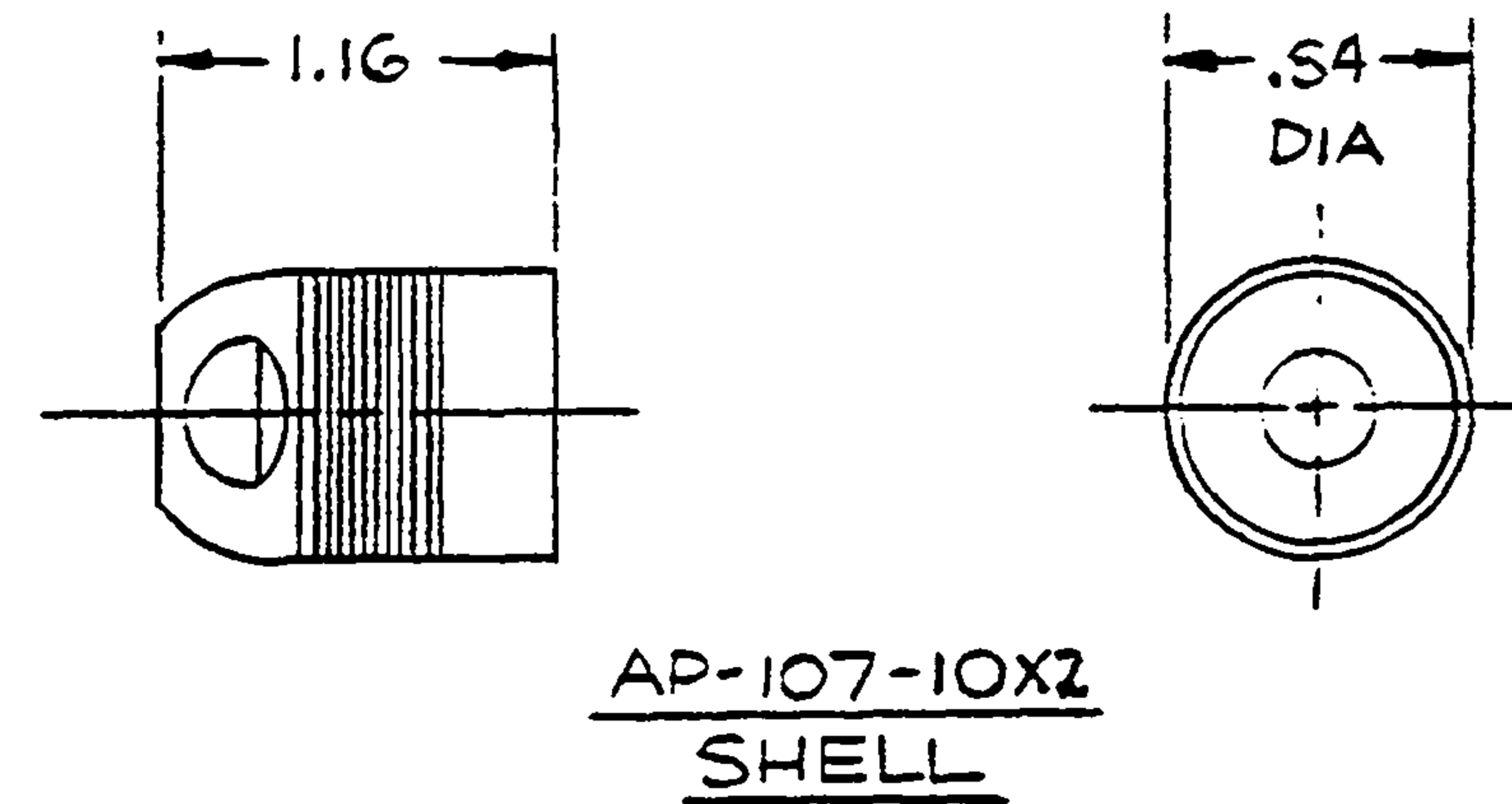


**B** AP-107AS-SP



NOTES:  
 1. THIS PART MATES WITH AJ-107, SEVEN CONDUCTOR WATERPROOF AUDIO JACK.  
 2. CONFIGURATION IS FOR 3/4"-12 PT SOCKET WRENCH.



THIS DOCUMENT CONTAINS PROPRIETARY INFORMATION OF NEXUS, INCORPORATED AND SUCH INFORMATION MAY NOT BE DISCLOSED TO OTHERS FOR ANY PURPOSE OR USED FOR ANY PURPOSE WITHOUT THE WRITTEN CONSENT OF NEXUS.

LET.	REVISION	DATE	CHK.

DWN. BY IDH	DATE 3-3-88	MATERIAL	
CHECKED BY		FINISH	
APPR. BY		WEIGHT	SCALE 1:1
UNLESS OTHERWISE SPECIFIED DIMENSIONS ARE IN INCHES TOLERANCES ON FRACTIONS DECIMALS ANGLES		TITLE SEVEN CONDUCTOR WATER PROOF AUDIO PLUG	
DO NOT SCALE DWG.		SHEET	OF
		<b>NEXUS</b> STAMFORD, CONN.	
		SIZE <b>B</b>	DWG. NO. AP-107AS-SP