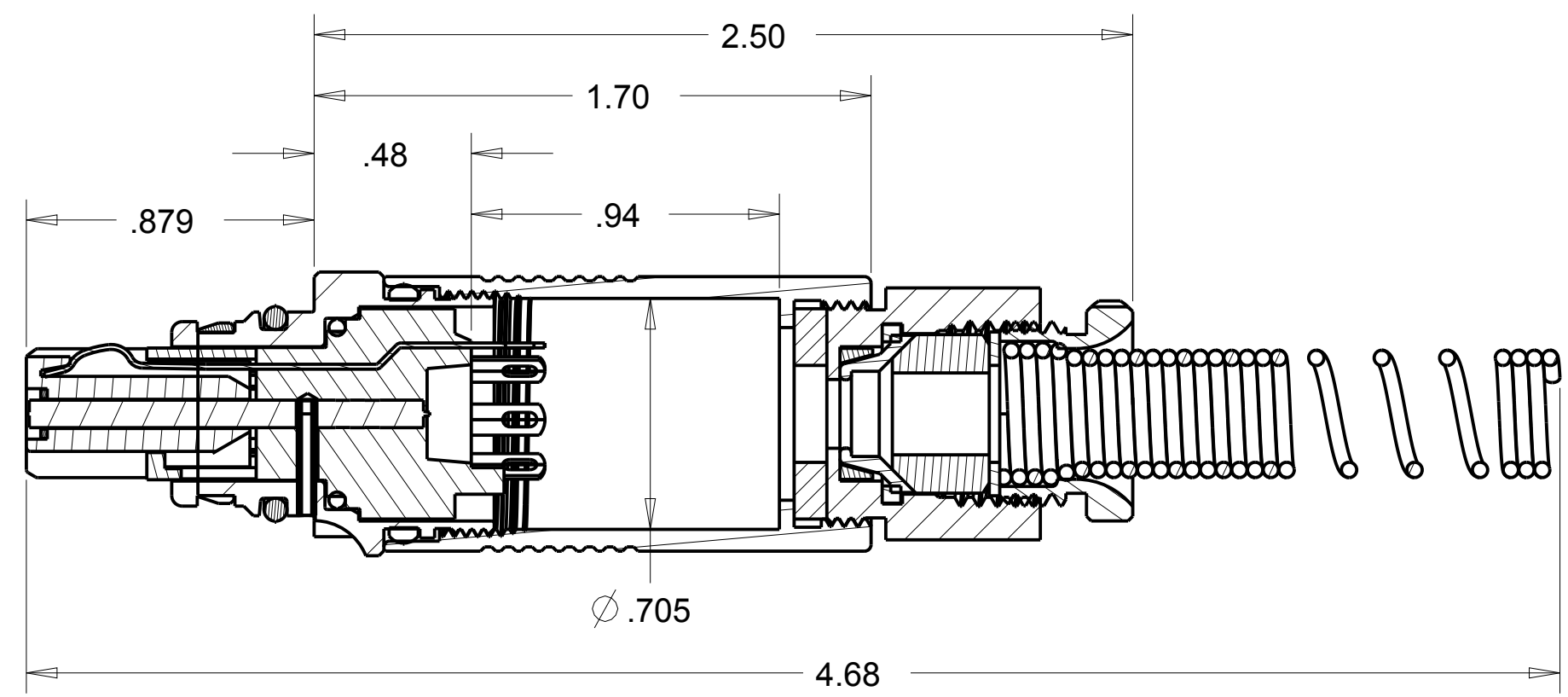
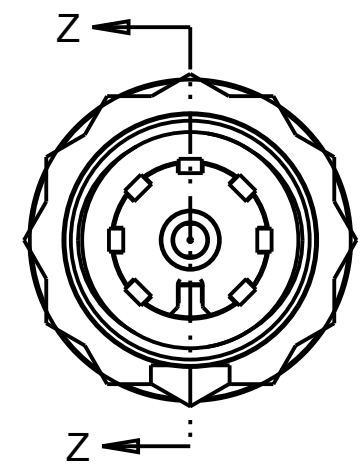
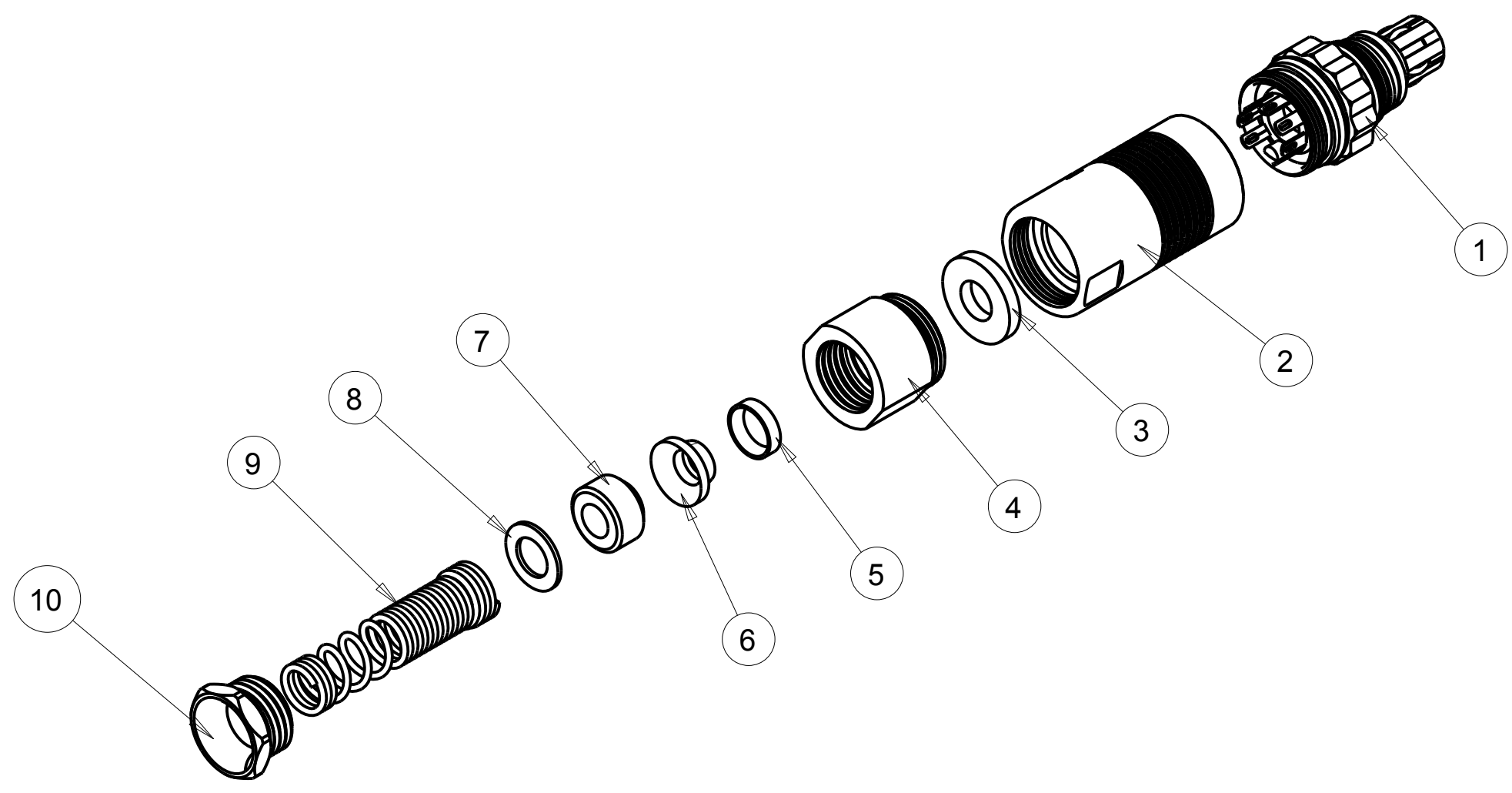


ITEM #	PART #	QTY	DESCRIPTION
1	AP-107BR-8S	1	PLUG ASSEMBLY
2	AP-107BRSB-01	1	SHELL
3	AP-116-3	1	WASHER, RUBBER
4	AP-136-8	1	NUT ADAPTER, ALUM, BLACK CHROME
5	AP-136-6	1	CLAMP SHIELD OUTER
6	AP-136-5	1	CLAMP SHIELD INNER
7	AP-116-8	1	BUSHING, RUBBER
8	AP-116-2	1	WASHER, STAINLESS STEEL
9	AP-116-4	1	SPRING, STAINLESS STEEL
10	AP-116-6	1	STUD, ALUM ANODIZED

C AP-107BRB



SECTION Z-Z

THIS DOCUMENT CONTAINS PROPRIETARY INFORMATION OF NEXUS, INCORPORATED AND SUCH INFORMATION MAY NOT BE DISCLOSED TO OTHERS FOR ANY PURPOSE OR USED FOR ANY PURPOSE WITHOUT THE WRITTEN CONSENT OF NEXUS.

DWN. BY		HR	DATE	Apr-30-12	MATERIAL	
CHECKED BY			DATE		FINISH	
APPR. BY			DATE		WEIGHT	SCALE = 1.00 :1
UNLESS OTHERWISE SPECIFIED DIMENSIONS ARE IN INCHES & OR (mm)					TITLE	
TOLERANCES:					7-COND SHIELDED AUDIO PLUG	
DECIMAL:					PCB MTG, & SPG BEND RELIEF	
±.XX(X.X) ±.XXX(X.XX) ±.XXXX(X.XXX)					DO NOT SCALE DWG. SHEET 1 OF 1	
±.01(0.3) ±.003(0.08) ±.0005(0.013)					SIZE	
FRACTION: ±X/XX ± 1/64					C AP-107BRB	
ANGLES: ±X ° ±.5 °					DWG. NO.	

NEXUS
STAMFORD, CONN

AP-107BRB