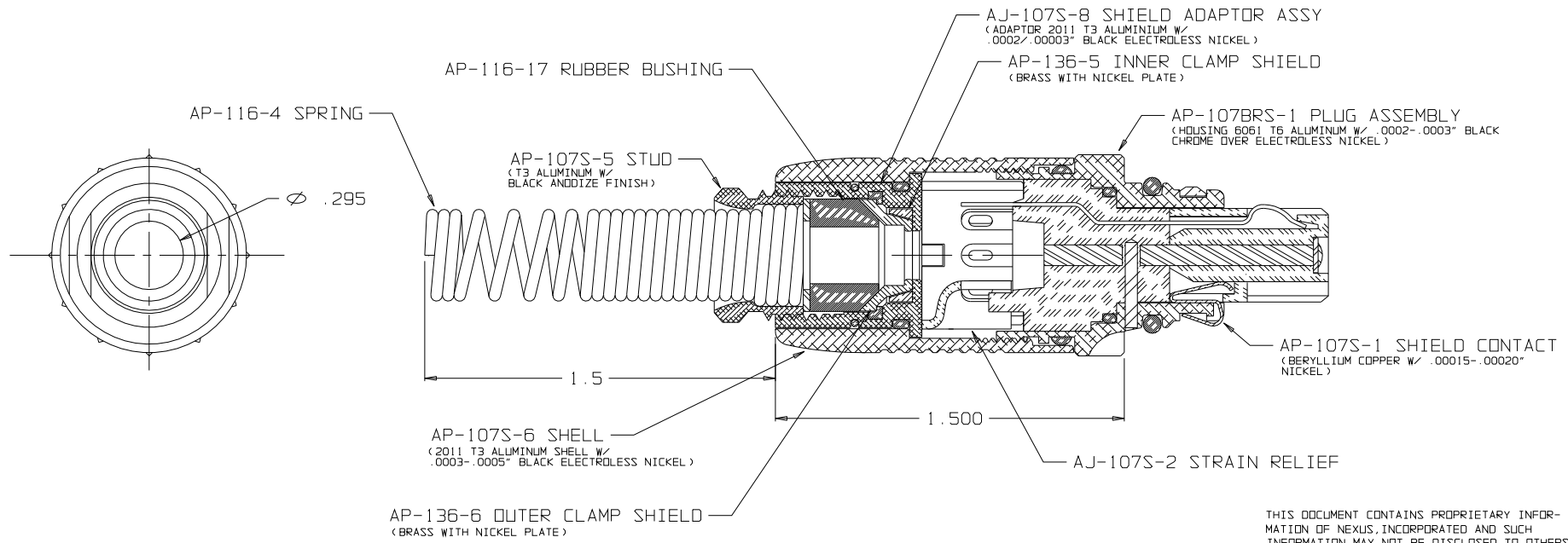
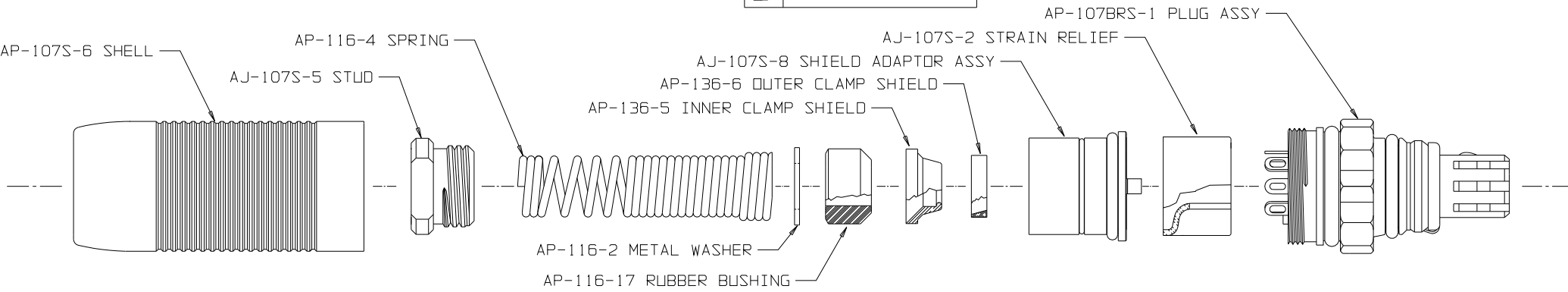


B AP-107BRS/17



THIS DOCUMENT CONTAINS PROPRIETARY INFORMATION OF NEXUS, INCORPORATED AND SUCH INFORMATION MAY NOT BE DISCLOSED TO OTHERS FOR ANY PURPOSE OR USED FOR ANY PURPOSE WITHOUT THE WRITTEN CONSENT OF NEXUS.

DWN. BY <i>HR</i>	DATE 12/17/15	MATERIAL _____															
CHECKED BY	DATE	FINISH _____															
APPR. BY	DATE	WEIGHT _____	SCALE NONE														
UNLESS OTHERWISE SPECIFIED DIMENSIONS ARE IN INCHES TOLERANCES ON FRACTIONS DECIMALS ANGLES — — —		TITLE SEVEN CONDUCTOR SHIELDED AUDIO PLUG WITH SPRING BEND RELIEF															
		DO NOT SCALE DWG.	SHEET 1 OF 1														
<table border="1"> <tr> <td>A</td> <td>NEW RELEASE</td> <td></td> <td>12/17/15</td> <td>HR</td> </tr> <tr> <td>LET.</td> <td>REVISION</td> <td>CN #</td> <td>DATE</td> <td>CHK.</td> </tr> </table>		A	NEW RELEASE		12/17/15	HR	LET.	REVISION	CN #	DATE	CHK.	<table border="1"> <tr> <td colspan="2" rowspan="2"> <p style="text-align: center;">NEXUS STAMFORD, CONN</p> </td> </tr> <tr> <td>SIZE B</td> <td>DWG. NO. AP-107BRS/17</td> </tr> </table>		<p style="text-align: center;">NEXUS STAMFORD, CONN</p>		SIZE B	DWG. NO. AP-107BRS/17
A	NEW RELEASE		12/17/15	HR													
LET.	REVISION	CN #	DATE	CHK.													
<p style="text-align: center;">NEXUS STAMFORD, CONN</p>																	
		SIZE B	DWG. NO. AP-107BRS/17														