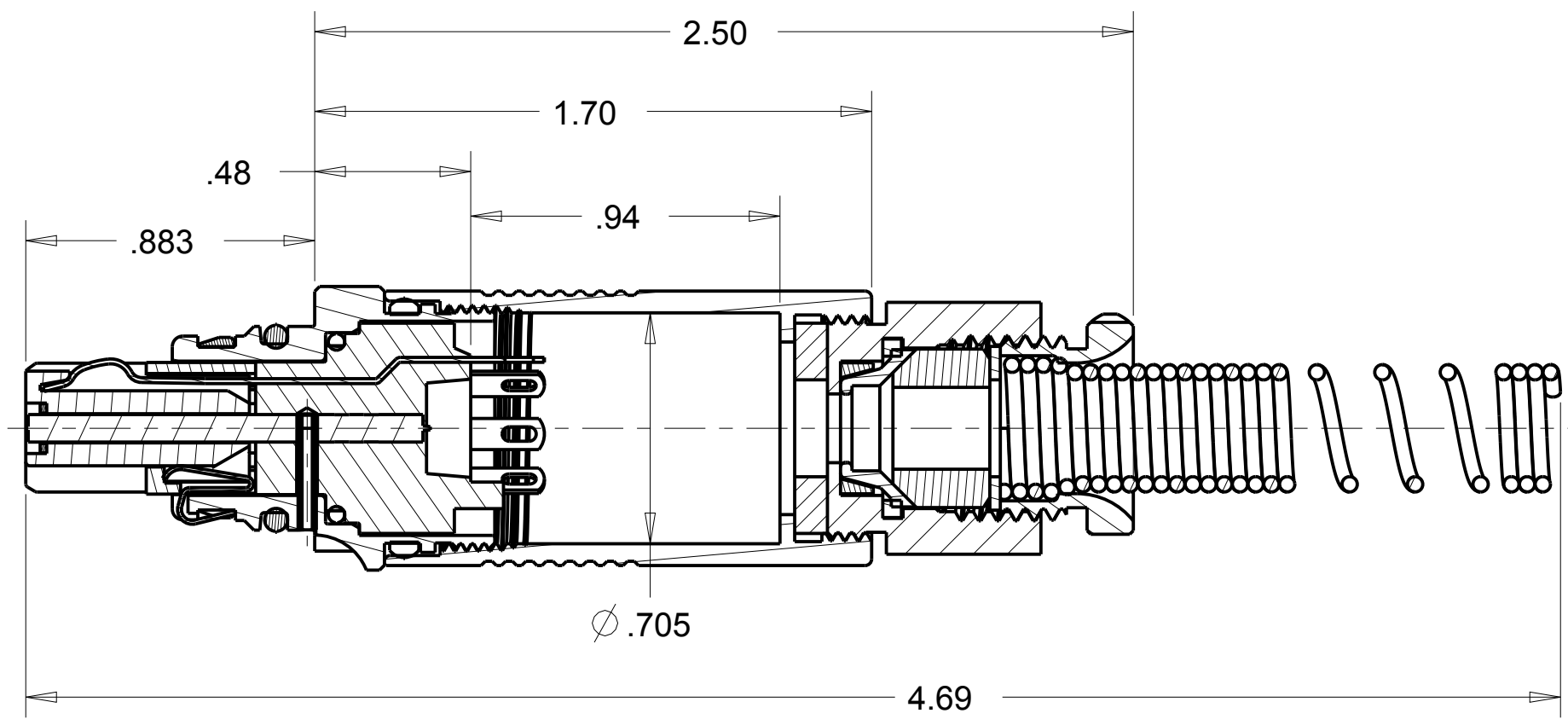
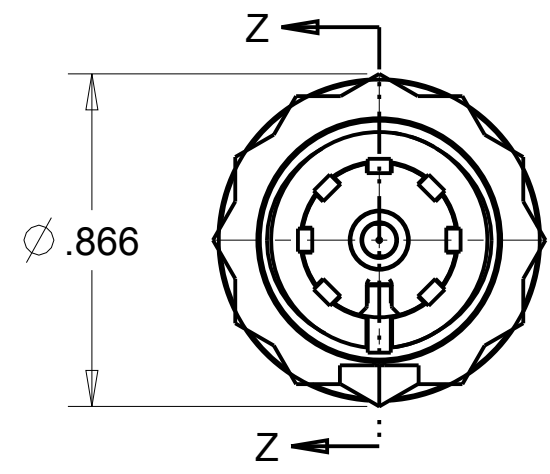
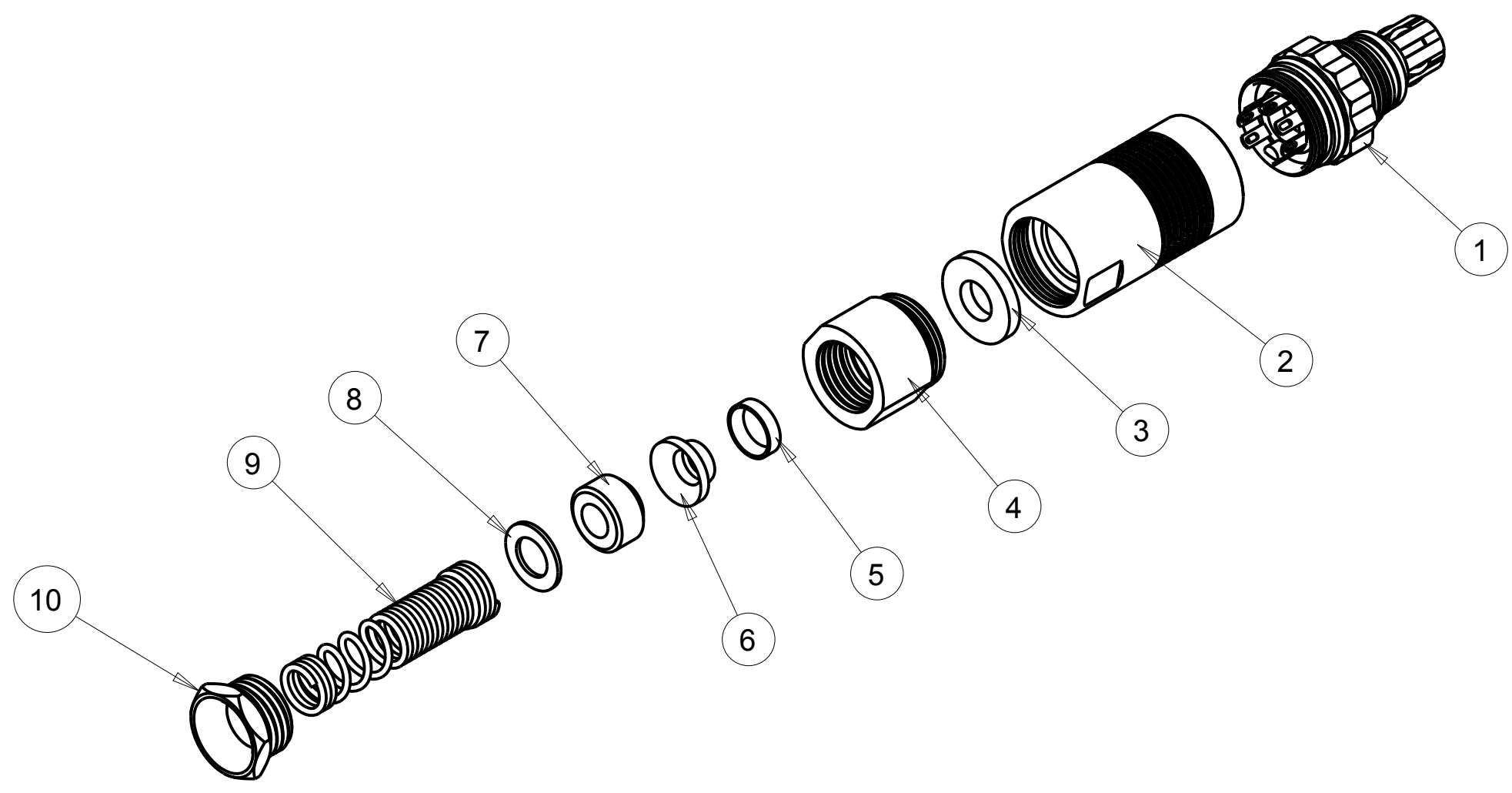


ITEM #	PART #	QTY	DESCRIPTION
1	AP-107BRS-1	1	PLUG ASSEMBLY
2	AP-107BRSB-01	1	SHELL
3	AP-116-3	1	WASHER, RUBBER
4	AP-136-8	1	NUT ADAPTER, BRASS, BLACK CHROME
5	AP-136-6	1	CLAMP SHIELD OUTER
6	AP-136-5	1	CLAMP SHIELD INNER
7	AP-116-8	1	BUSHING, RUBBER
8	AP-116-2	1	WASHER, STAINLESS STEEL
9	AP-116-4	1	SPRING, STAINLESS STEEL
10	AP-116-6	1	STUD, ALUM ANODIZED

C AP-107BRSB



SECTION Z-Z

THIS DOCUMENT CONTAINS PROPRIETARY INFORMATION OF NEXUS, INCORPORATED AND SUCH INFORMATION MAY NOT BE DISCLOSED TO OTHERS FOR ANY PURPOSE OR USED FOR ANY PURPOSE WITHOUT THE WRITTEN CONSENT OF NEXUS.

				DWN. BY	HR	DATE	Apr-30-12	MATERIAL			
				CHECKED BY		DATE		FINISH			
				APPR. BY		DATE		WEIGHT	SCALE = 1.00 :1		
C	CHG: ITEM #4 MAT'L TO BRASS	202	6/9 2014	HR	UNLESS OTHERWISE SPECIFIED DIMENSIONS ARE IN INCHES & OR (mm)				TITLE 7-COND SHIELDED AUDIO PLUG PCB MTG, & SPG BEND RELIEF		
B	CHG ITEM #4 DESCRIPTION		5/3 2012	HR							
A	NEW RELEASE		4/30 2012	HR	TOLERANCES:				NEXUS STAMFORD, CONN		
				LET.	REVISION	CN #	DATE	CHK	DO NOT SCALE DWG. SHEET 1 OF 1		
				FRACTION: ±XXX ± 1/64				DECIMAL: ±.XX(X.X) ±.XXX(X.XX) ±.01(0.3) ±.003(0.08) ±.0005(0.013)			
				ANGLES: ±X ° ±.5 °				C AP-107BRSB			