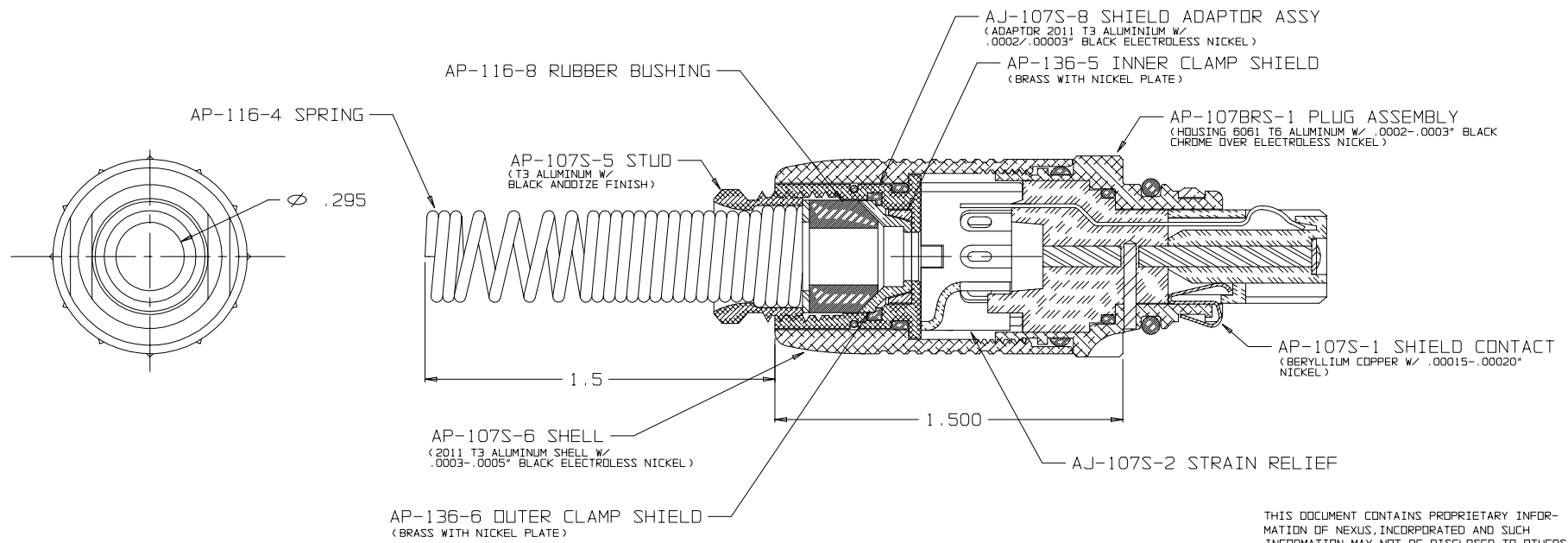
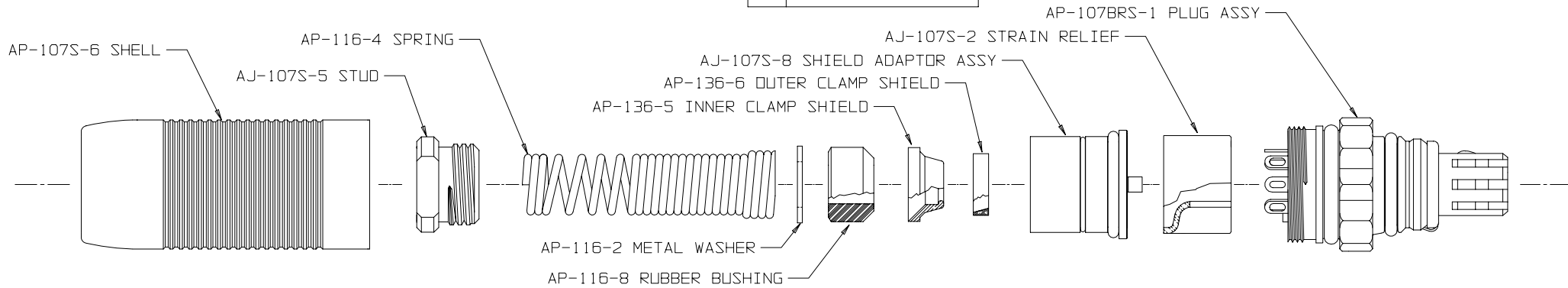


# B AP-107BRS



THIS DOCUMENT CONTAINS PROPRIETARY INFORMATION OF NEXUS, INCORPORATED AND SUCH INFORMATION MAY NOT BE DISCLOSED TO OTHERS FOR ANY PURPOSE OR USED FOR ANY PURPOSE WITHOUT THE WRITTEN CONSENT OF NEXUS.

|  |                 |   |            |
|--|-----------------|---|------------|
| DWN. BY<br><i>E. W. T.</i>   | DATE<br>9/18/01 | MATERIAL _____  |            |
| CHECKED BY   | DATE            | FINISH _____  |            |
| APPR. BY   | DATE            | WEIGHT _____  | SCALE NONE |
| UNLESS OTHERWISE SPECIFIED<br>DIMENSIONS ARE IN INCHES<br>TOLERANCES ON<br>FRACTIONS DECIMALS ANGLES |                 | TITLE<br><b>SEVEN CONDUCTOR SHIELDED<br/>AUDIO PLUG WITH<br/>SPRING BEND RELIEF</b> |            |
|  |                 | DD NOT SCALE DWG. SHEET 1 OF 1  |            |
| LET.   |                 | REVISION  |            |
| CN #   |                 | DATE  |            |
| CHK.   |                 | DWG. NO.  |            |

**NEXUS**  
STAMFORD, CONN

SIZE **B** DWG. NO. **AP-107BRS**

|      |          |      |      |      |
|------|----------|------|------|------|
| LET. | REVISION | CN # | DATE | CHK. |
|------|----------|------|------|------|