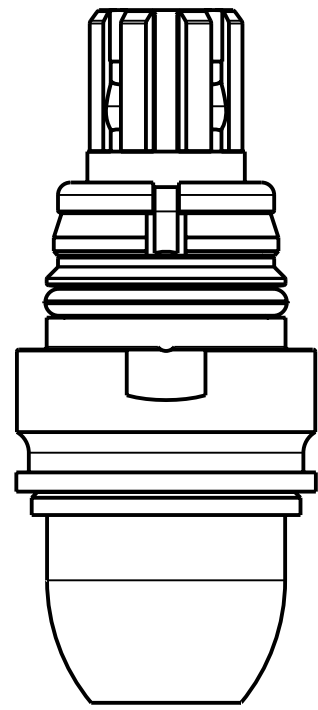
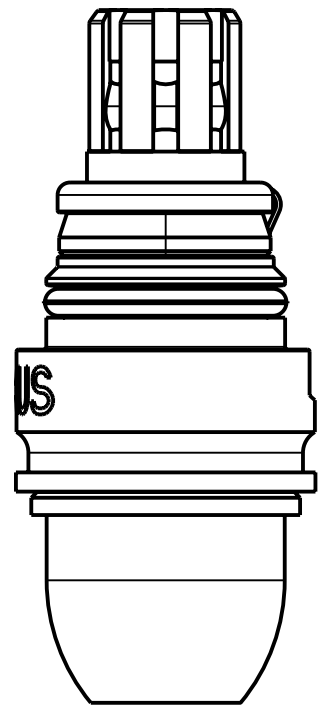
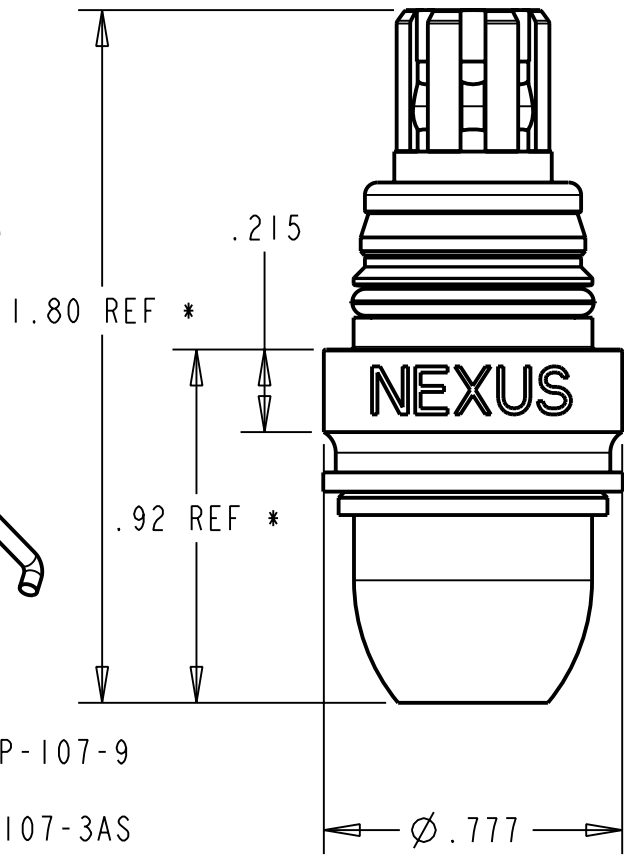
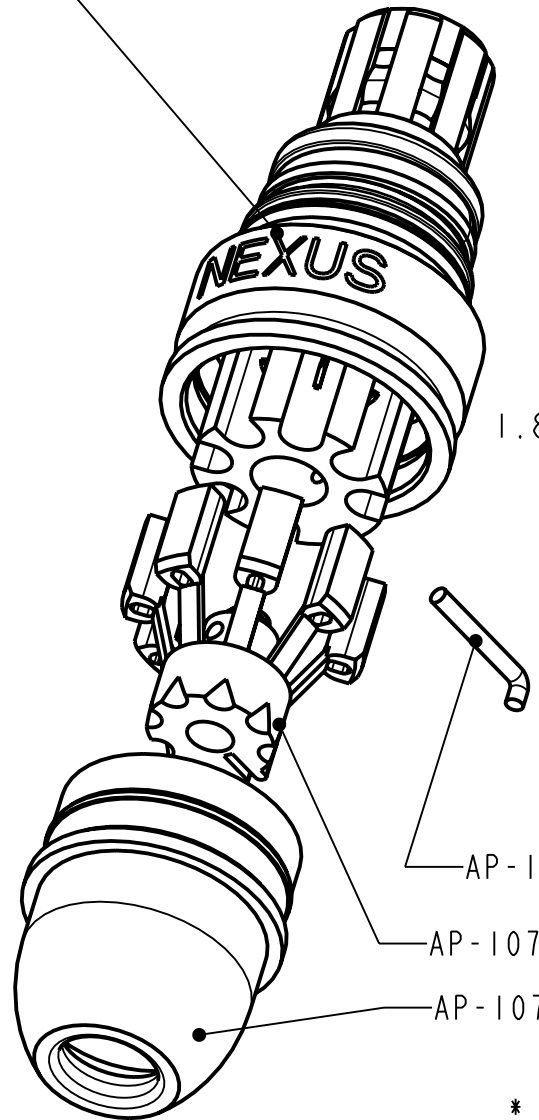


2

**PROPRIETARY - NEXUS**  
**ORDERING PART NUMBER: AP-107DRS**

A AP-107DRS-CP

AP-107DRS-10



\* REF DIMENSIONS ARE FOR INFORMATION ONLY

THIS DOCUMENT CONTAINS PROPRIETARY INFORMATION OF NEXUS, INCORPORATED AND SUCH INFORMATION MAY NOT BE DISCLOSED TO OTHERS FOR ANY PURPOSE OR USED FOR ANY PURPOSE WITHOUT THE WRITTEN CONSENT OF NEXUS.

					DWN. BY <b>LDE</b>	DATE 11-Jul-07	MATERIAL			
					CHECKED BY	DATE	FINISH			
					APPR. BY	DATE	WEIGHT	SCALE = 2.00 : 1	<b>NEXUS</b> STAMFORD, CONN	
					UNLESS OTHERWISE SPECIFIED DIMENSIONS ARE IN INCHES TOLERANCES ON .XX .XXX ANGLES ±.003 ±.5°		TITLE <b>PLUG - DRS</b> ORDERING PART NUMBER: AP-107DRS			
LET.	REVISION	CN #	DATE	CHK.			DO NOT SCALE DWG.	SHEET 1 OF 1	SIZE <b>A</b>	DWG. NO. <b>AP-107DRS-CP</b>