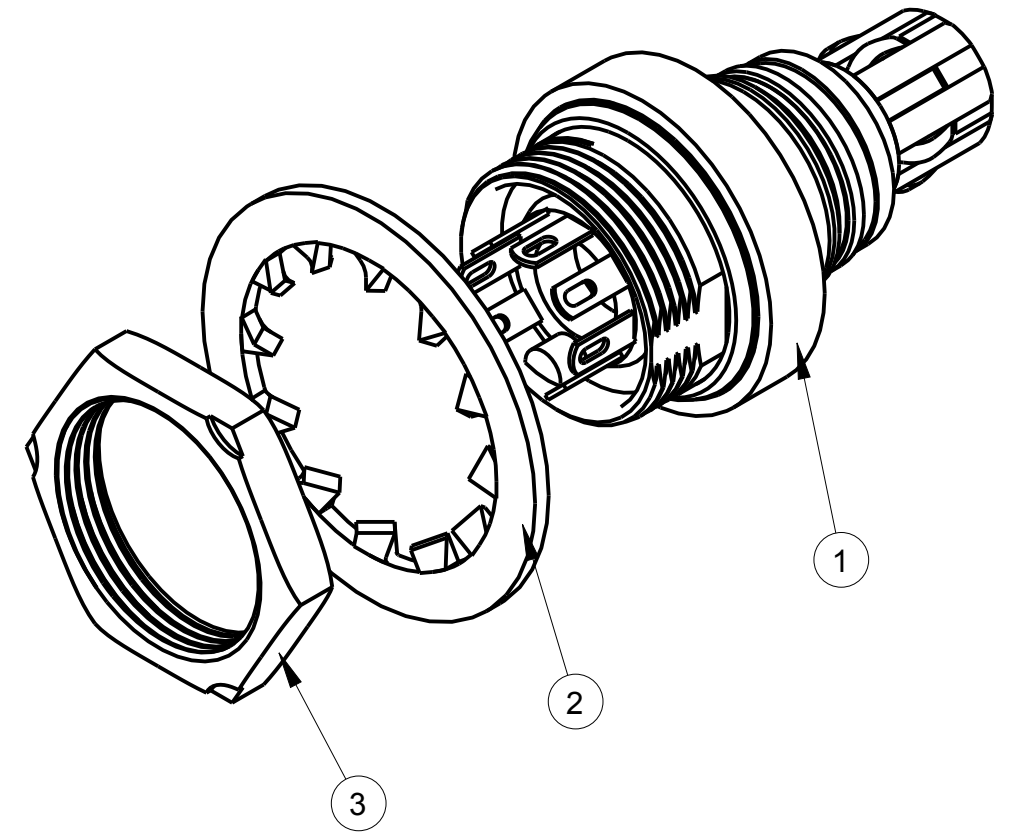
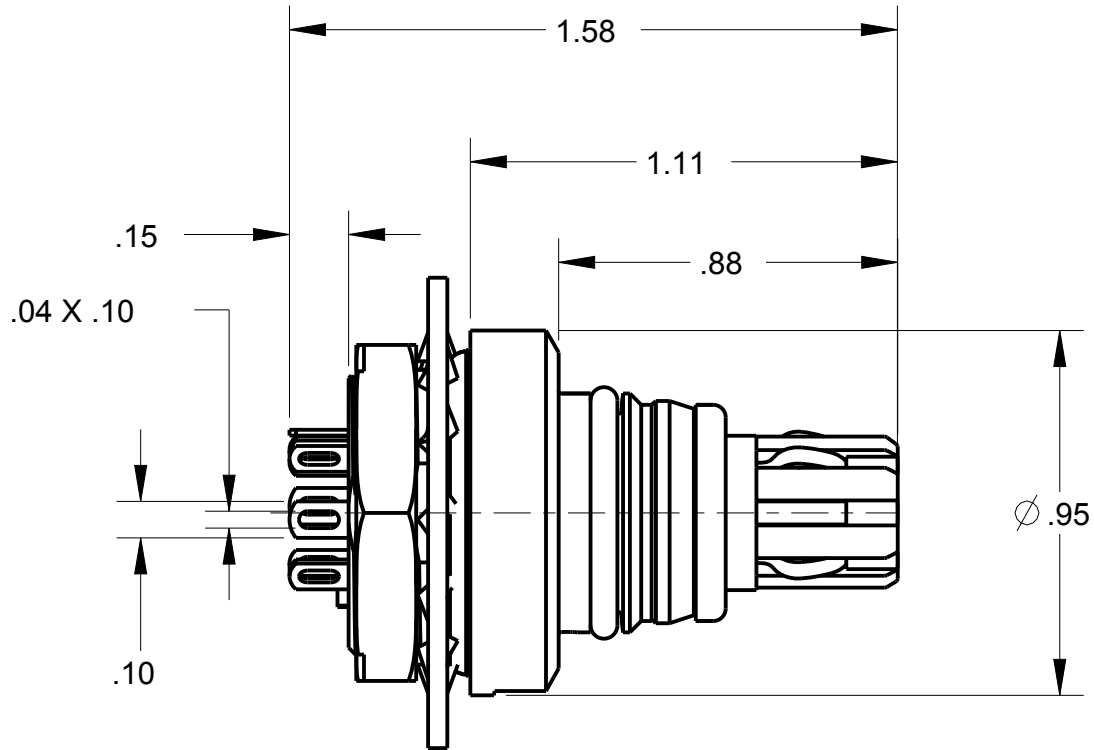
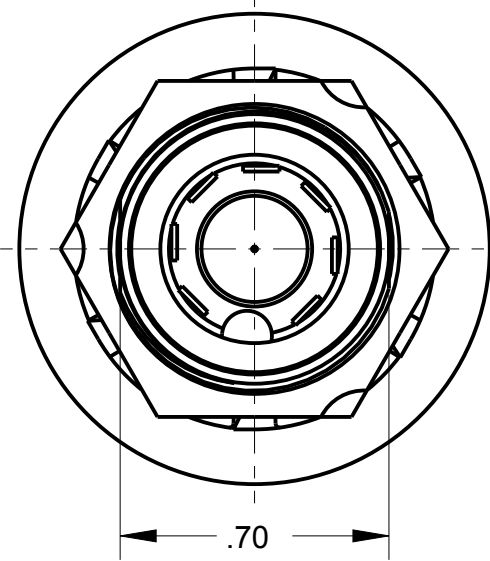


B AP-107PM

ITEM #	PART #	QTY	DESCRIPTION
1	AP-107PM-8	1	AUDIO JACK ASSEMBLY
2	AJ-107PM-2	1	LOCK WASHER (Ø 3/4 ID)
3	AJ-107PM-3	1	NUT (3/4-28 THD)



THIS DOCUMENT CONTAINS PROPRIETARY INFORMATION OF NEXUS, INCORPORATED AND SUCH INFORMATION MAY NOT BE DISCLOSED TO OTHERS FOR ANY PURPOSE OR USED FOR ANY PURPOSE WITHOUT THE WRITTEN CONSENT OF NEXUS.

LET.	REVISION	CN #	DATE	CHK.
B	ADD BOM	167	4/19 2013	HR
A	INITIAL RELEASE		10/31 2013	EWT

DWN.BY	EWT	DATE	10/31/03
CHECKED BY		DATE	
APPR.BY		DATE	

UNLESS OTHERWISE SPECIFIED:
DIMENSIONS ARE IN INCHES &/OR (mm)
TOLERANCES:
DECIMAL: .XX[X.X] .XXX[X.XX]
± .01[0.3] ± .003[0.08]
FRACTION: X/X 1/64 ANGLES: X ± .5°

MATERIAL	
FINISH	
WEIGHT —	SCALE = 2.00 :1
TITLE 7 - CONDUCTOR AUDIO PLUG PANEL MOUNT	
DO NOT SCALE DWG.	SHEET 1 OF 1

NEXUS STAMFORD, CONN	
SIZE	DWG. NO.
B	AP-107PM