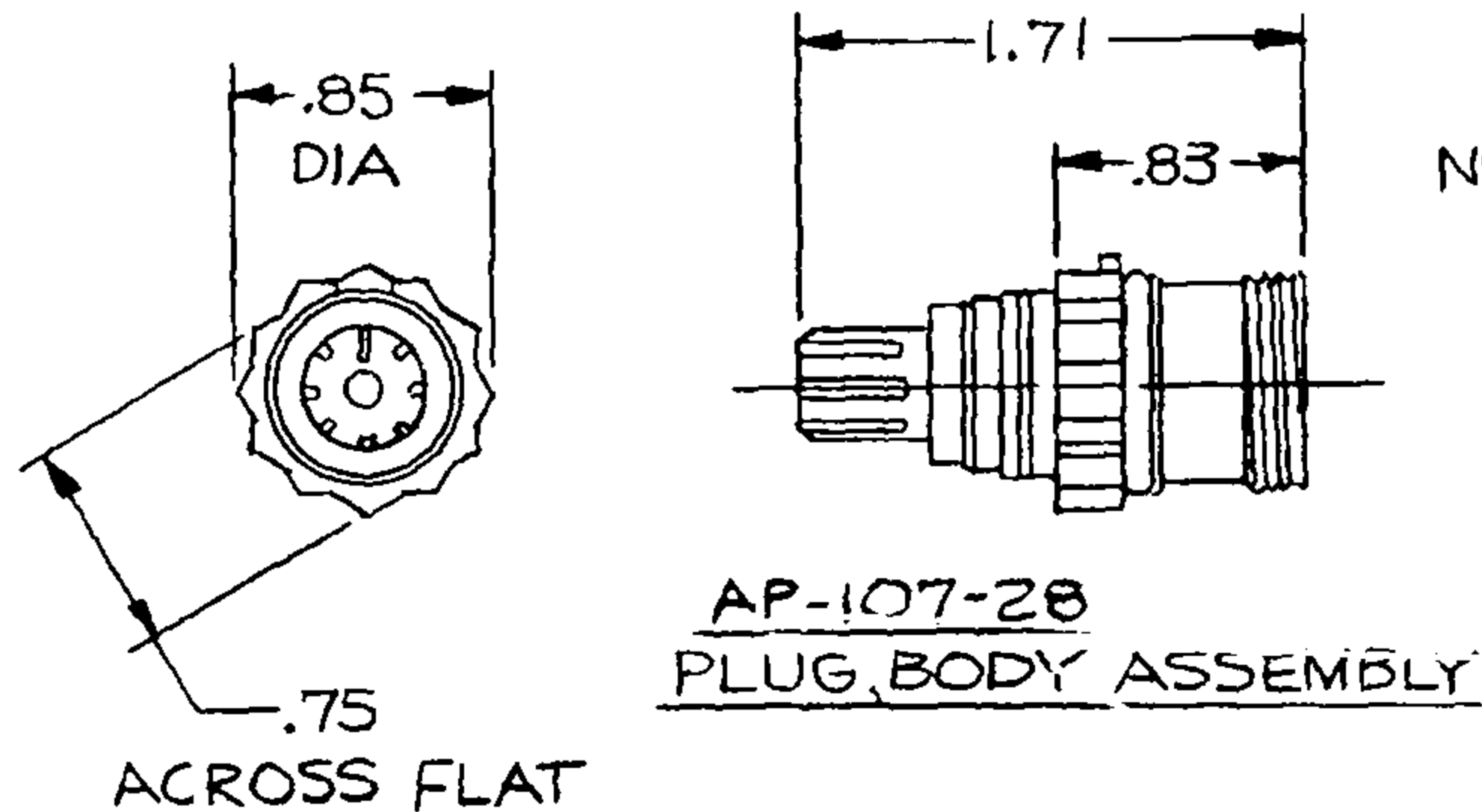
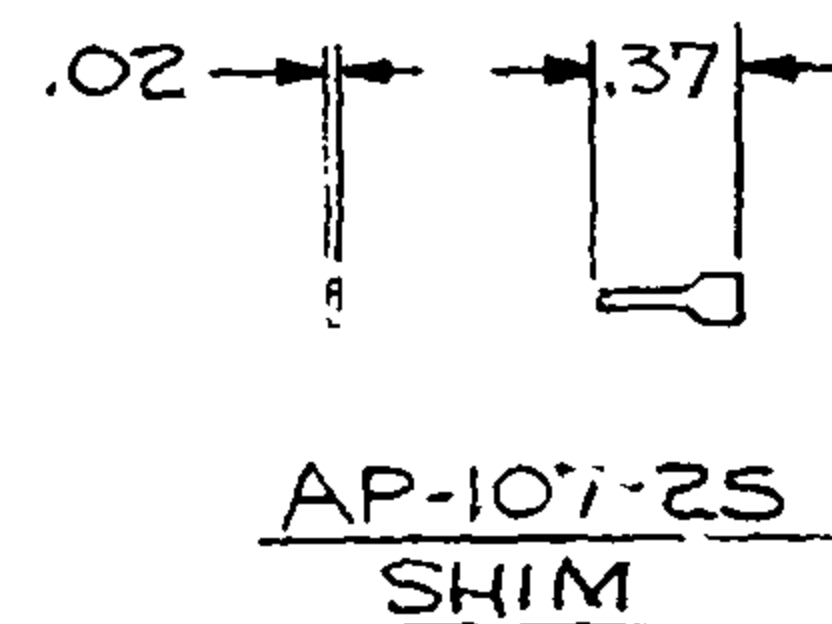
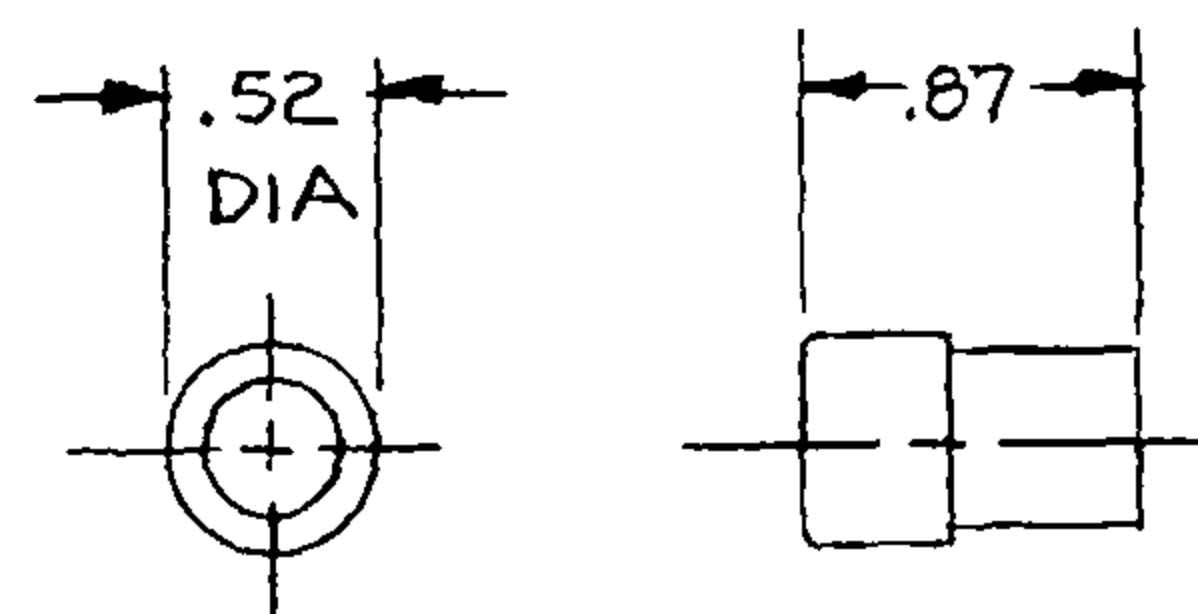
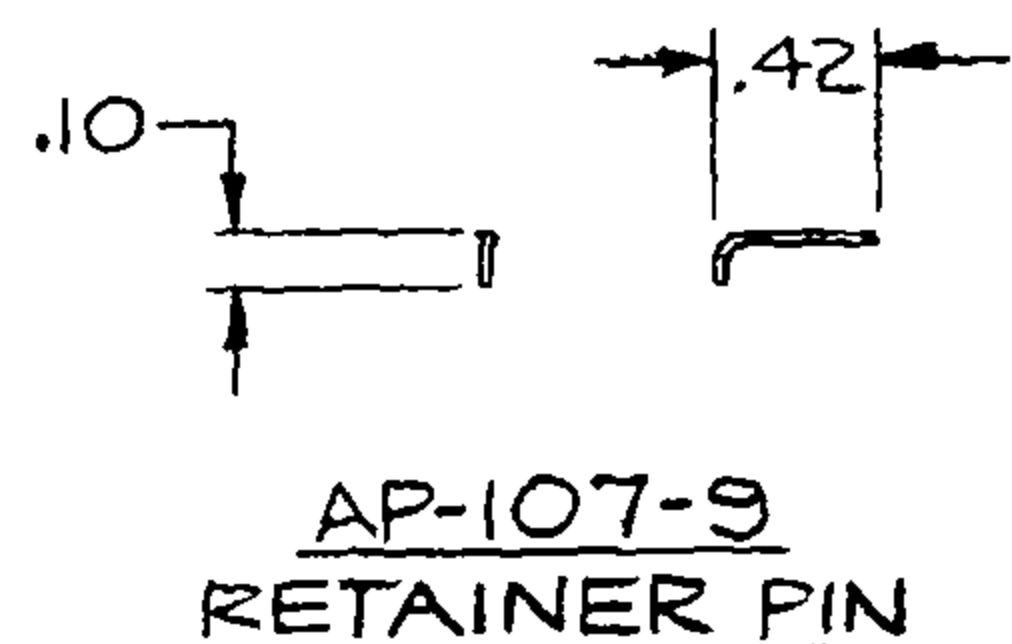
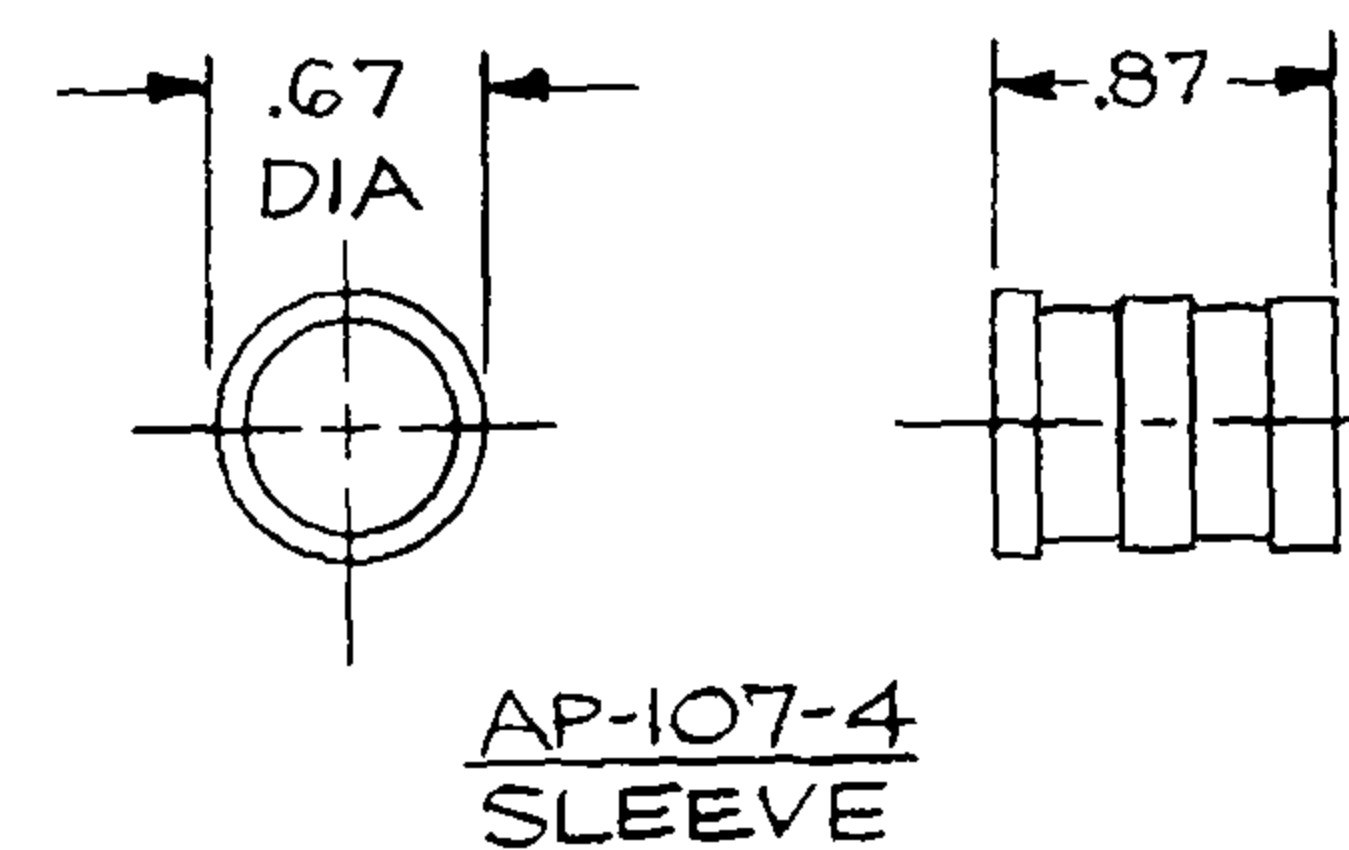
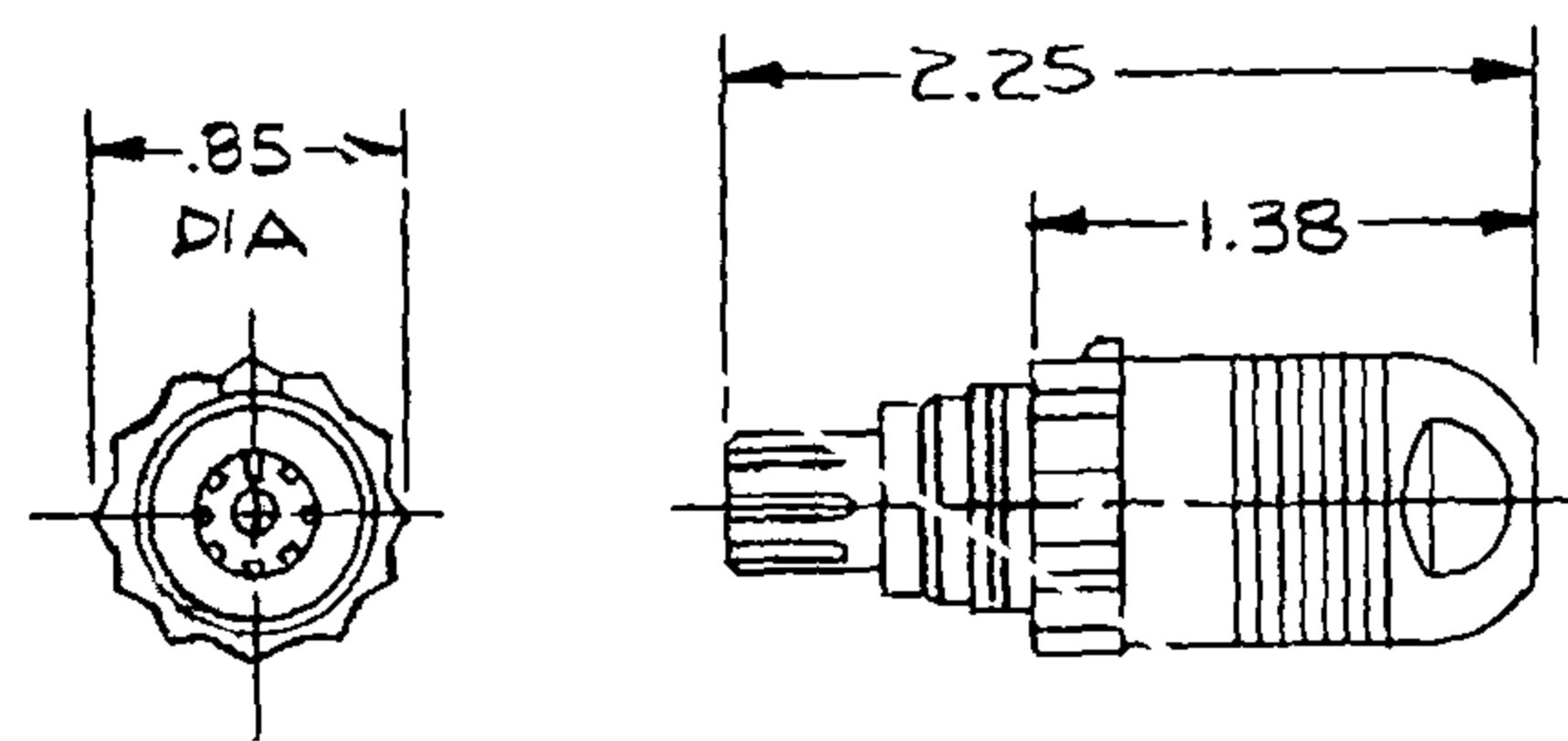
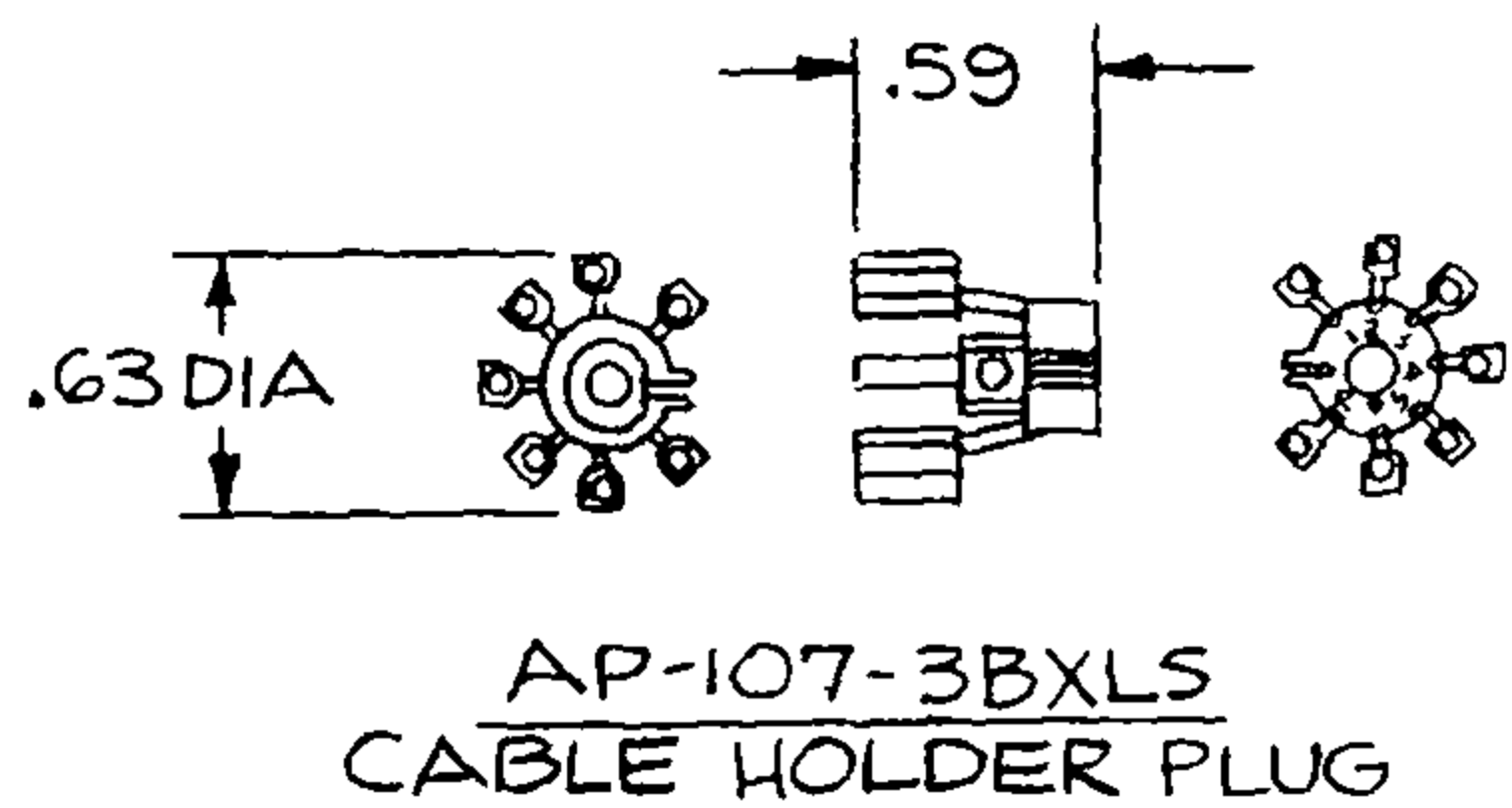
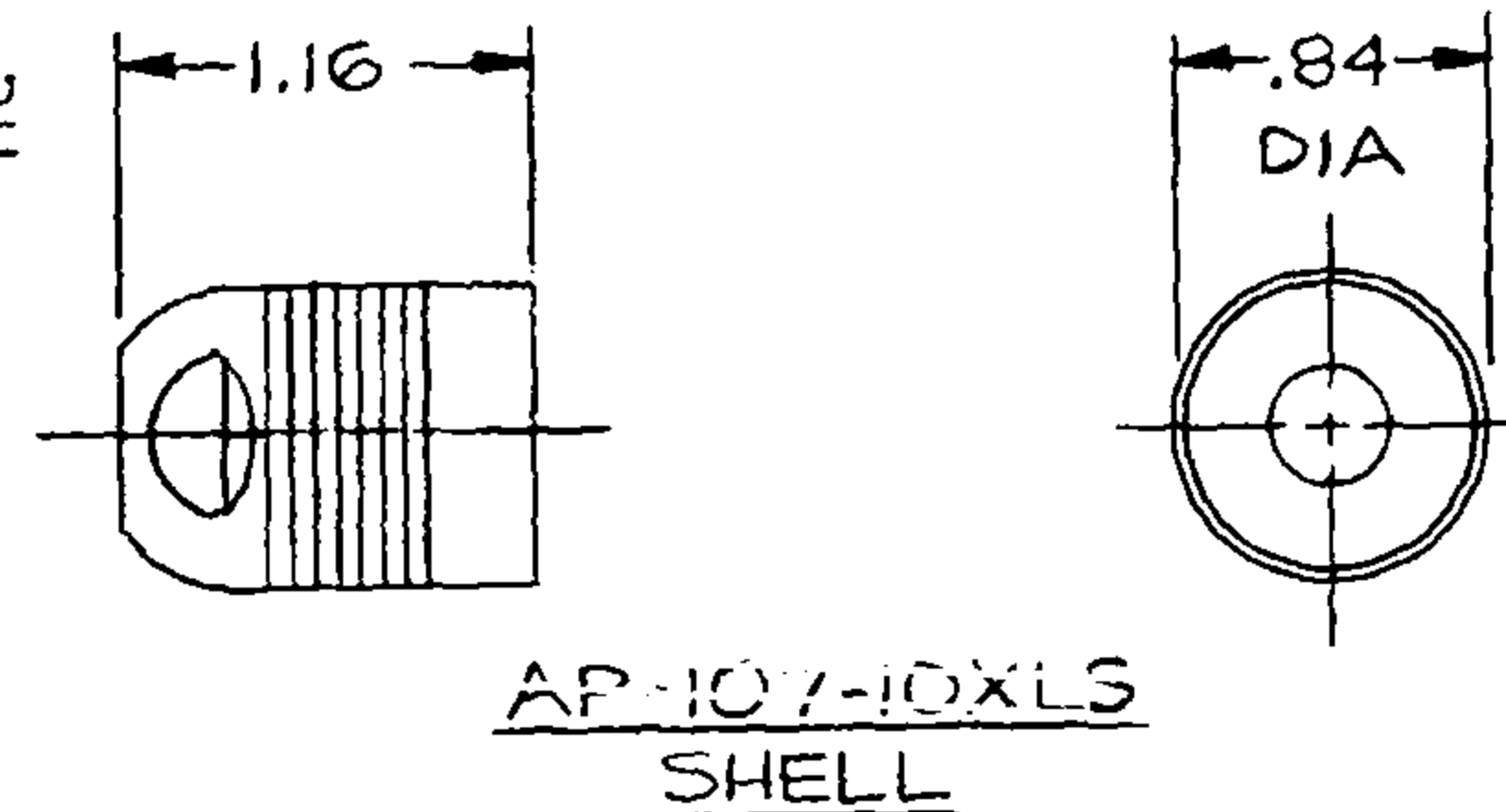


B AP-107XLS



NOTES:

1. THIS PART MATES WITH AJ-107XLS, SEVEN CONDUCTOR WATERPROOF AUDIO JACK.
2. CONFIGURATION IS FOR $\frac{3}{4}$ " -12PT SOCKET WRENCH.



OWN. BY IDH	DATE 4/25/91	MATERIAL	
CHECKED BY <i>[Signature]</i>	DATE 4/25/91	FINISH	
APPR. BY		WEIGHT	SCALE 1:1
UNLESS OTHERWISE SPECIFIED DIMENSIONS ARE IN INCHES TOLERANCES ON FRACTIONS DECIMALS ANGLES		TITLE SEVEN CONDUCTOR WATERPROOF AUDIO PLUG	
LET.	REVISION	DATE	CHK.
DO NOT SCALE DWG.		SHEET	OF
SIZE B		DWG. NO. AP-107XLS	

NEXUS
STAMFORD, CONN.