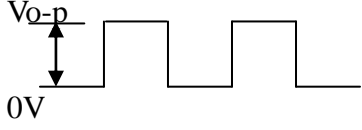
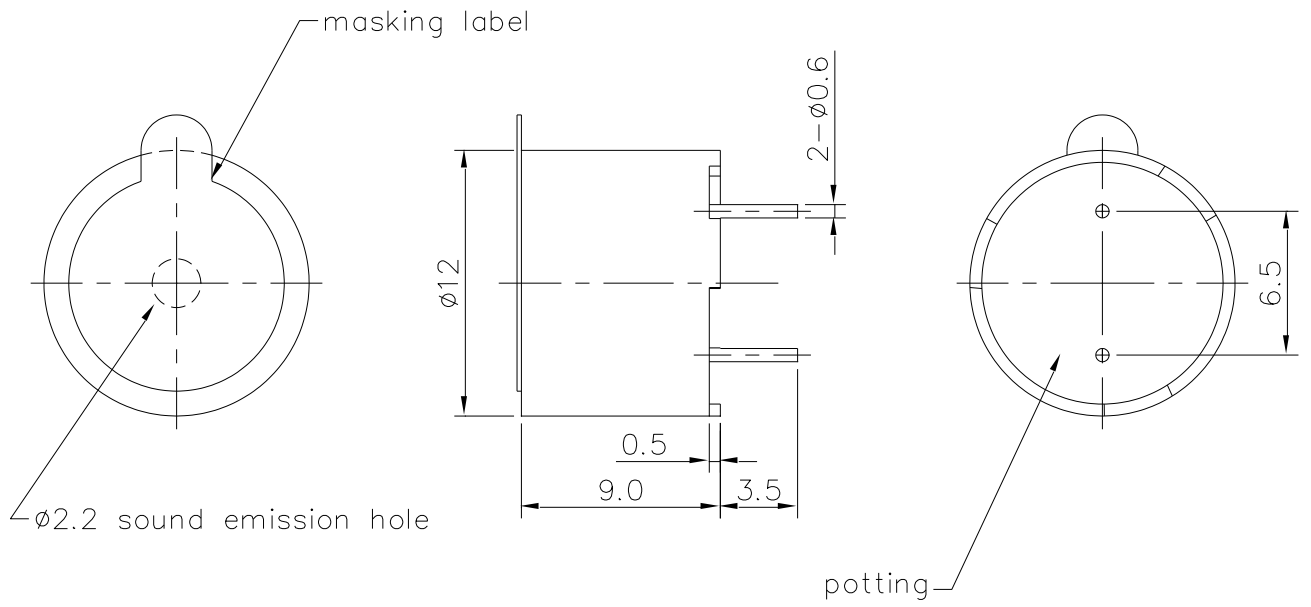


File Name

AP-1205G-F2-LF (RoHS)

Items		Units	Specifications	Conditions
01	Rated Voltage	Vo-p	5	
02	Operating Voltage	Vo-p	3~8	
03	Mean Current	mA (Max)	50	Applying rated voltage, rated frequency Square wave, 1/2 duty subject to standard state.
04	Direct Current Resistance	Ohm	40±5	
05	Sound Output	dBa (min)	85	Distance at 10cm, applying rated voltage, rated frequency square wave, 1/2 duty subject to standard state.
06	Rated Frequency	Hz	2400	

REV NO.	REVISION NOTE	APPROVAL	DATE
---------	---------------	----------	------



TITLE: SOUND TRANSDUCER		DRAWN: JOHN	05/26/2003	SCALE: 3:1	SHEET: 1 of 1
PART NO. AP-1205G-F2-LF	1 REV	DESIGNED: R&D OF AAT	UNITS: mm		
DWG NO. DTE-2052		CHECKED:	TOLERANCE ± 0.5		
		APPROVAL:	UNLESS OTHERWISE SPECIFIED: ONE PLACE DECIMAL \pm *** TWO PLACE DECIMAL \pm *** THREE PLACE DECIMAL \pm ***		
		MATERIAL: PBT			



苙翔科技股份有限公司
ADVANCED ACOUSTIC TECHNOLOGY CORPORATION