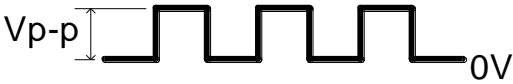
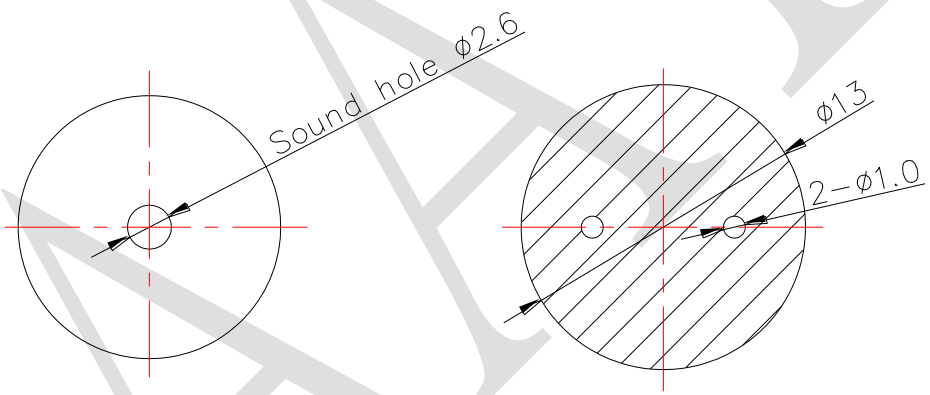
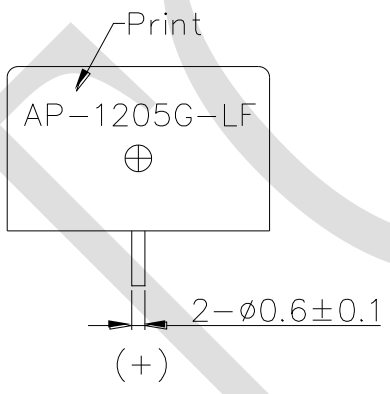
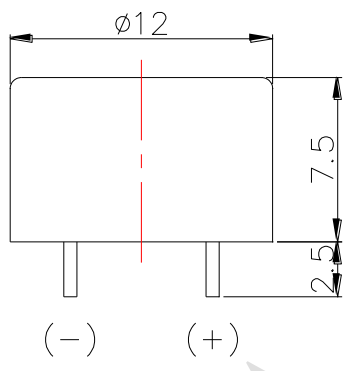
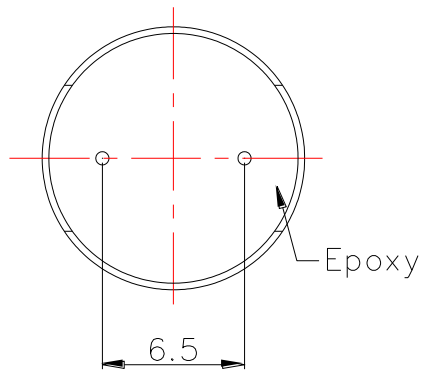


# 1. SPECIFICATION

AP-1205G-LF

ITEM		UNITS	SPECIFICATIONS	CONDITIONS
01	Rated Voltage	V	5	 <p>Standard state, standard drive circuit. Square wave 1/2 duty.</p>
02	Operating Voltage	V	3 ~ 8	
03	Consumption Current	mA Max.	55	
04	Sound pressure level (Distance at 10cm )	dB(A) Min.	85	Rated voltage, rated frequency.
05	Direct Current Resistance	$\Omega$	40±6	
06	Rated Frequency	Hz	2048	

REV NO.	REVISION NOTE	APPROVAL	DATE
---------	---------------	----------	------



RECOMMENDED PCB LAYOUT

RoHS

TITLE: ELECTRO MAGNETIC BUZZER		DRAWN: <b>Zack</b> 2018/03/09	SCALE: 4:1	SHEET: 1 of 1
PART NO. AP-1205G-LF	<b>3</b> REV	DESIGNED: R&D OF AAT	UNITS: mm	
DWG NO. UGCM1205CP2.5A		CHECKED:	TOLERANCE ± 0.5	
		APPROVAL:	UNLESS OTHERWISE SPECIFIED: ONE PLACE DECIMAL ± *** TWO PLACE DECIMAL ± *** THREE PLACE DECIMAL ± ***	
		MATERIAL: PBT		



ADVANCED ACOUSTIC TECHNOLOGY CORPORATION