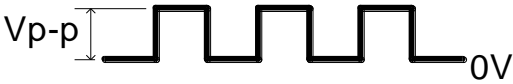


# 1. SPECIFICATION

AP-1205V-P1

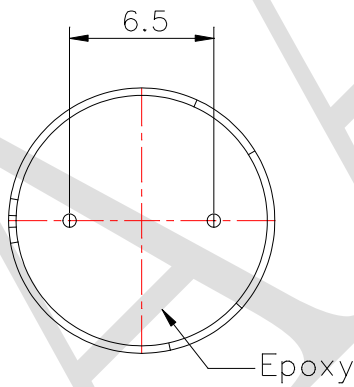
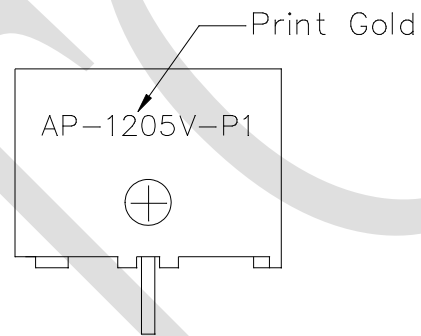
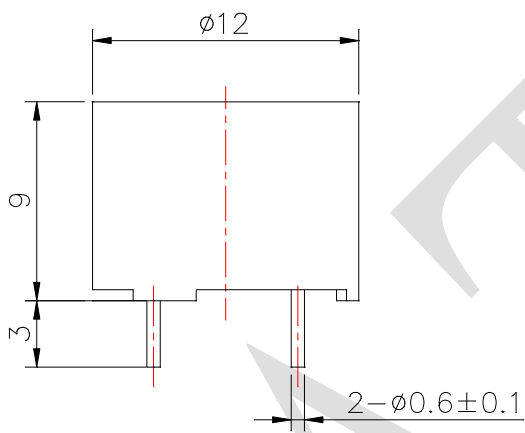
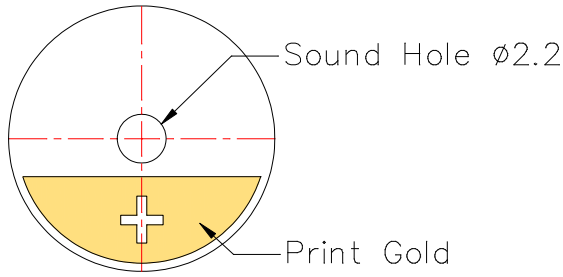
ITEM		UNITS	SPECIFICATIONS	CONDITIONS
01	Rated Voltage	V	5	 <p>Standard state, standard drive circuit. Square wave 1/2 duty.</p>
02	Operating Voltage	V	3 ~ 8	
03	Consumption Current	mA Max.	50	
04	Sound pressure level (Distance at 10cm )	dB(A) Min.	85	Rated voltage, rated frequency.
05	Direct Current Resistance	$\Omega$	47 $\pm$ 5	
06	Rated Frequency	Hz	2400	

REV NO.

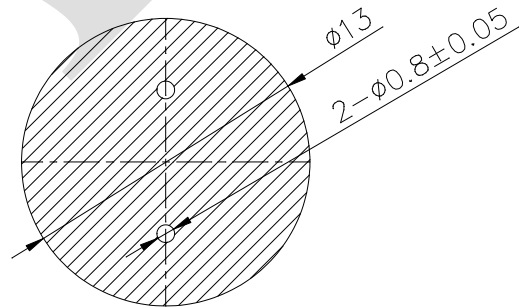
REVISION NOTE

APPROVAL

DATE



PCB LAYOUT



RoHS

TITLE: ELECTRO MAGNETIC BUZZER

DRAWN: Sunny 2016-7-18

SCALE: 4:1 SHEET: 1 of 1

PART NO. AP-1205V-P1

DESIGNED: R&D OF AAT

UNITS: mm

1

CHECKED:

TOLERANCE  $\pm 0.5$

DWG NO. CA-P16071801

REV

APPROVAL:

UNLESS OTHERWISE SPECIFIED:

ONE PLACE DECIMAL  $\pm$  \*\*\*

TWO PLACE DECIMAL  $\pm$  \*\*\*

THREE PLACE DECIMAL  $\pm$  \*\*\*

MATERIAL: PBT



ADVANCED ACOUSTIC TECHNOLOGY CORPORATION