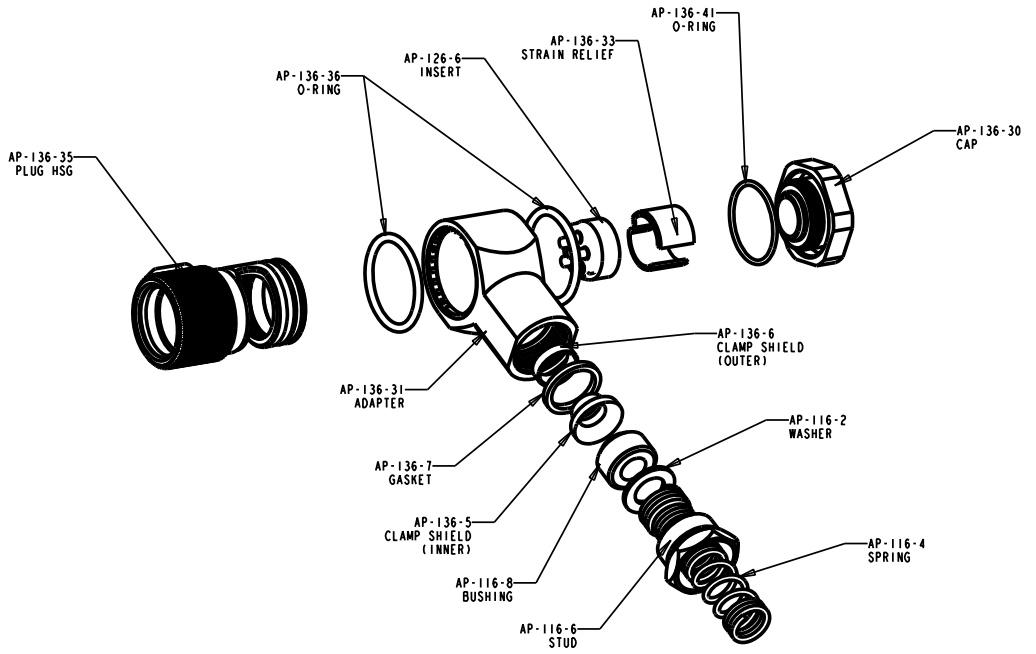
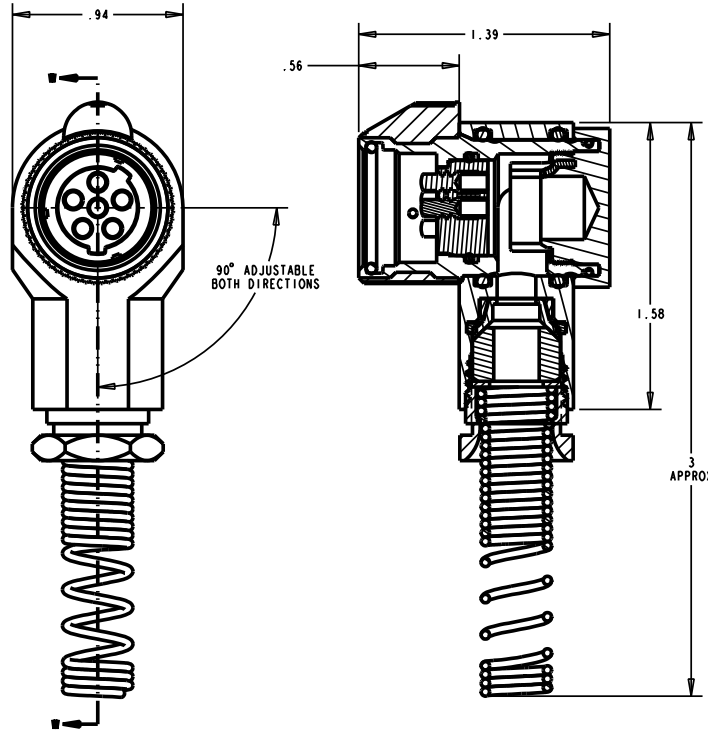


PROPRIETARY - NEXUS
 ORDERING PART #: AP-136RA

C AP-136RACP



SECTION W-W

THIS DOCUMENT CONTAINS PROPRIETARY INFORMATION OF NEXUS, INCORPORATED AND SUCH INFORMATION MAY NOT BE DISCLOSED TO OTHERS FOR ANY PURPOSE OR USED FOR ANY PURPOSE WITHOUT THE WRITTEN CONSENT OF NEXUS.

| | | | | | |
|---|-----|------|-----------|---|------------------|
| DES. BY | LDE | DATE | 17-NOV-09 | MATERIAL | |
| CHECKED BY | | DATE | | FINISH | |
| APP. BY | | DATE | | WEIGHT | SCALE = 1.00 : 1 |
| G REVISE PARTS LIST | | | | TITLE | |
| F LABEL PARTS WERE A-SIZE | | | | AUDIO PLUG - 90° | |
| LET. REVISION | | | | ORDER PART #: AP-136RA | |
| UNLESS OTHERWISE SPECIFIED DIMENSIONS ARE IN INCHES ANGLES IN DEGREES | | | | DO NOT SCALE DIM. SHEET 1 OF 1 | |
| | | | | NEXUS STAMFORD, CONN SIZE C DIM. NO. AP-136RACP | |