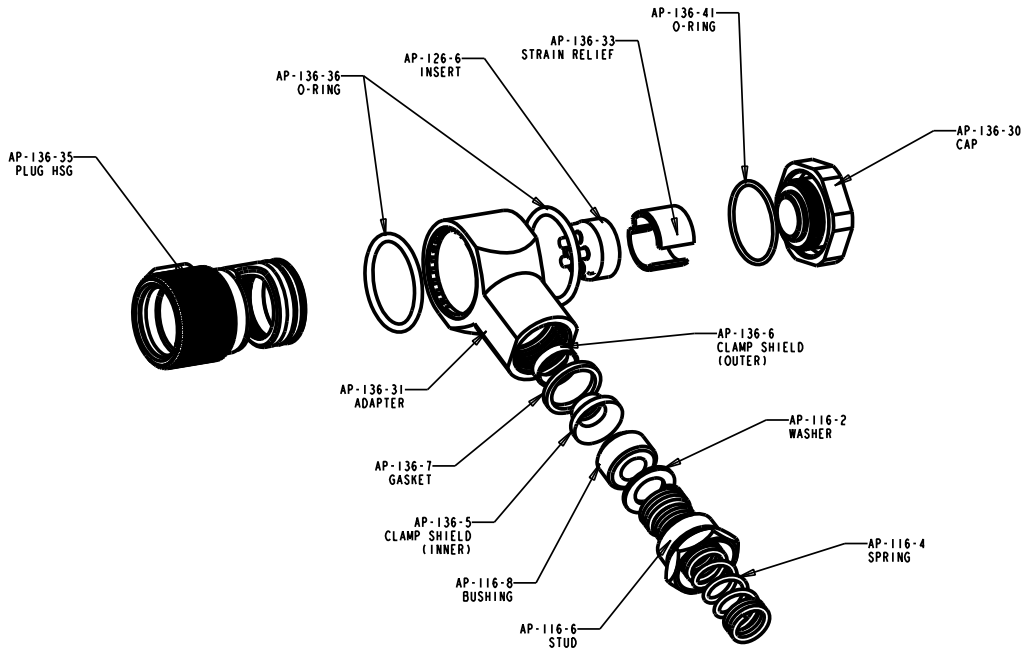
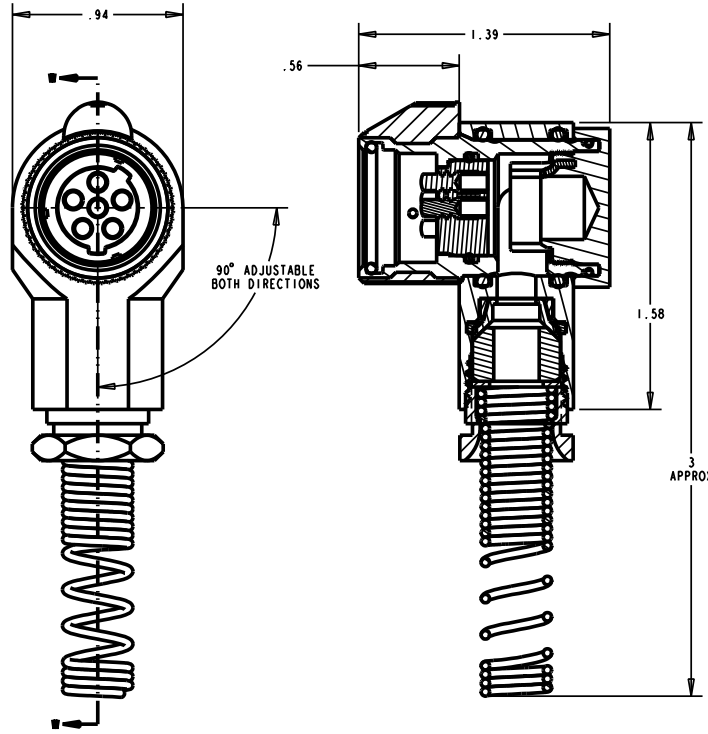


C AP-136RACP

PROPRIETARY - NEXUS
ORDERING PART #: AP-136RA



SECTION W-W

THIS DOCUMENT CONTAINS PROPRIETARY INFORMATION OF NEXUS, INCORPORATED AND SUCH INFORMATION MAY NOT BE DISCLOSED TO OTHERS FOR ANY PURPOSE OR USED FOR ANY PURPOSE WITHOUT THE WRITTEN CONSENT OF NEXUS.

DES. BY	LDE	DATE	17-NOV-09	MATERIAL	
CHECKED BY		DATE		FINISH	
APP. BY		DATE		WEIGHT	SCALE = 1.00 : 1
G REVISE PARTS LIST				TITLE	
F LABEL PARTS WERE A-SIZE				AUDIO PLUG - 90°	
LET. REVISION				ORDER PART #: AP-136RA	
UNLESS OTHERWISE SPECIFIED DIMENSIONS ARE IN INCHES ANGLES IN DEGREES				DO NOT SCALE DIM. SHEET 1 OF 1	
REV. #	DATE	CHK		NEXUS STAMFORD, CONN.	
				SIZE DIM. NO. AP-136RACP	