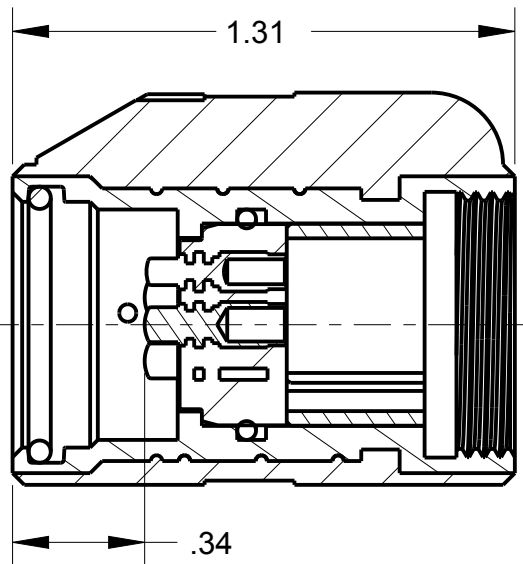
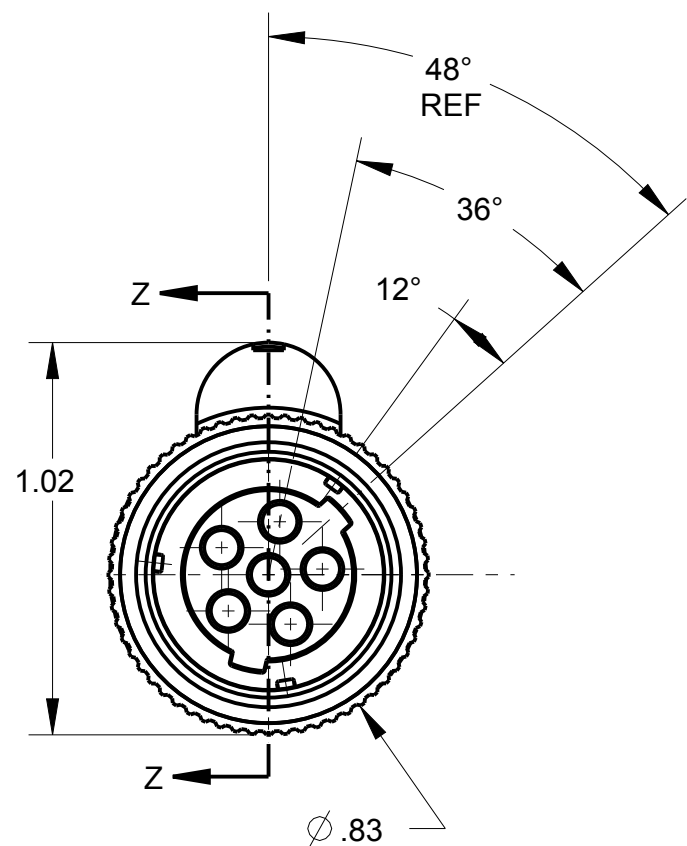


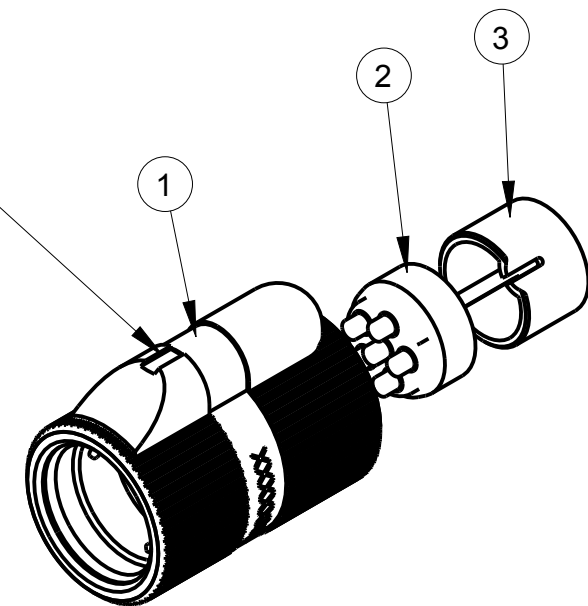
ITEM #	PART #	QTY	DESCRIPTION	MATERIAL
1	AP-136-2	1	SHELL ASS'Y	GLASS FILLED NYLON & 303 SS
2	AP-126-6	1	INSERT ASS'Y	DIALYLPHTHALATE, TYPE SDGF & GOLD PLATED BRASS
3	AP-105-5	1	STRAIN RELIEF	NYLON

NOTES:
 1) UNLESS OTHERWISE SPECIFIED, CONNECTOR MEETS ALL GENERAL REQUIREMENTS & SPECIFICATIONS OF MIL-C-55116



SECTION Z-Z

ORANGE ALIGNMENT MARK



THIS DOCUMENT CONTAINS PROPRIETARY INFORMATION OF NEXUS, INCORPORATED AND SUCH INFORMATION MAY NOT BE DISCLOSED TO OTHERS FOR ANY PURPOSE OR USED FOR ANY PURPOSE WITHOUT THE WRITTEN CONSENT OF NEXUS.

LET.	REVISION	CN #	DATE	CHK.
B	DEL: 12° ; 36° , ADD: 36° ; 48° REF	226	8/24 2015	HR
A	NEW RELEASE	219	2/23 2015	HR

DWN.BY HR	DATE 2/23/15	MATERIAL	
CHECKED BY	DATE	FINISH	
APPR.BY	DATE	WEIGHT —	SCALE = 1.00 :1
UNLESS OTHERWISE SPECIFIED: DIMENSIONS ARE IN INCHES &/OR (mm)		TITLE	
TOLERANCES: DECIMAL: .XX[X.X] .XXX[X.XX] ± .0X[0.X] ± .00X[0.0X]		AUDIO PLUG	
FRACTION: X/X ANGLES: X ± X/XX ± X°			
DO NOT SCALE DWG.		SHEET 1 OF 1	
		SIZE B	DWG. NO. AP-136S-CP

NEXUS
STAMFORD, CONN