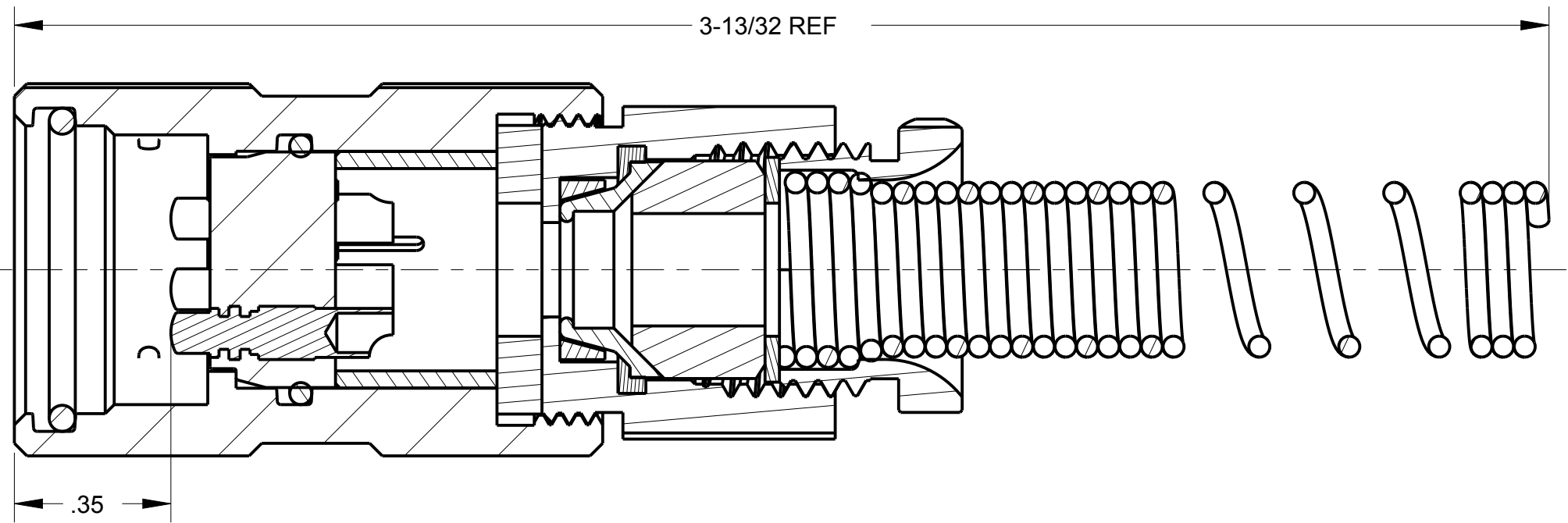
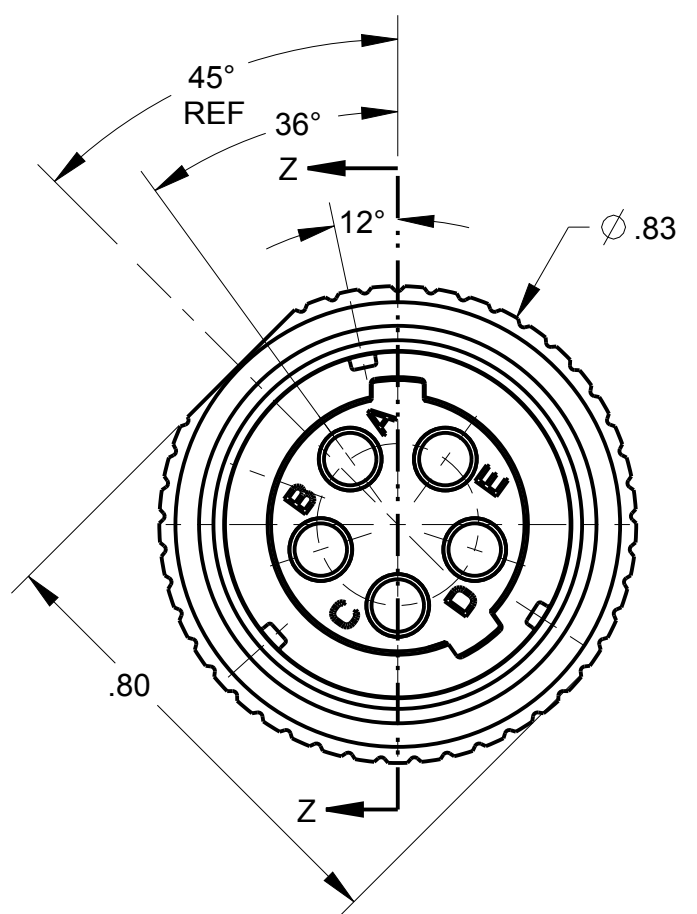
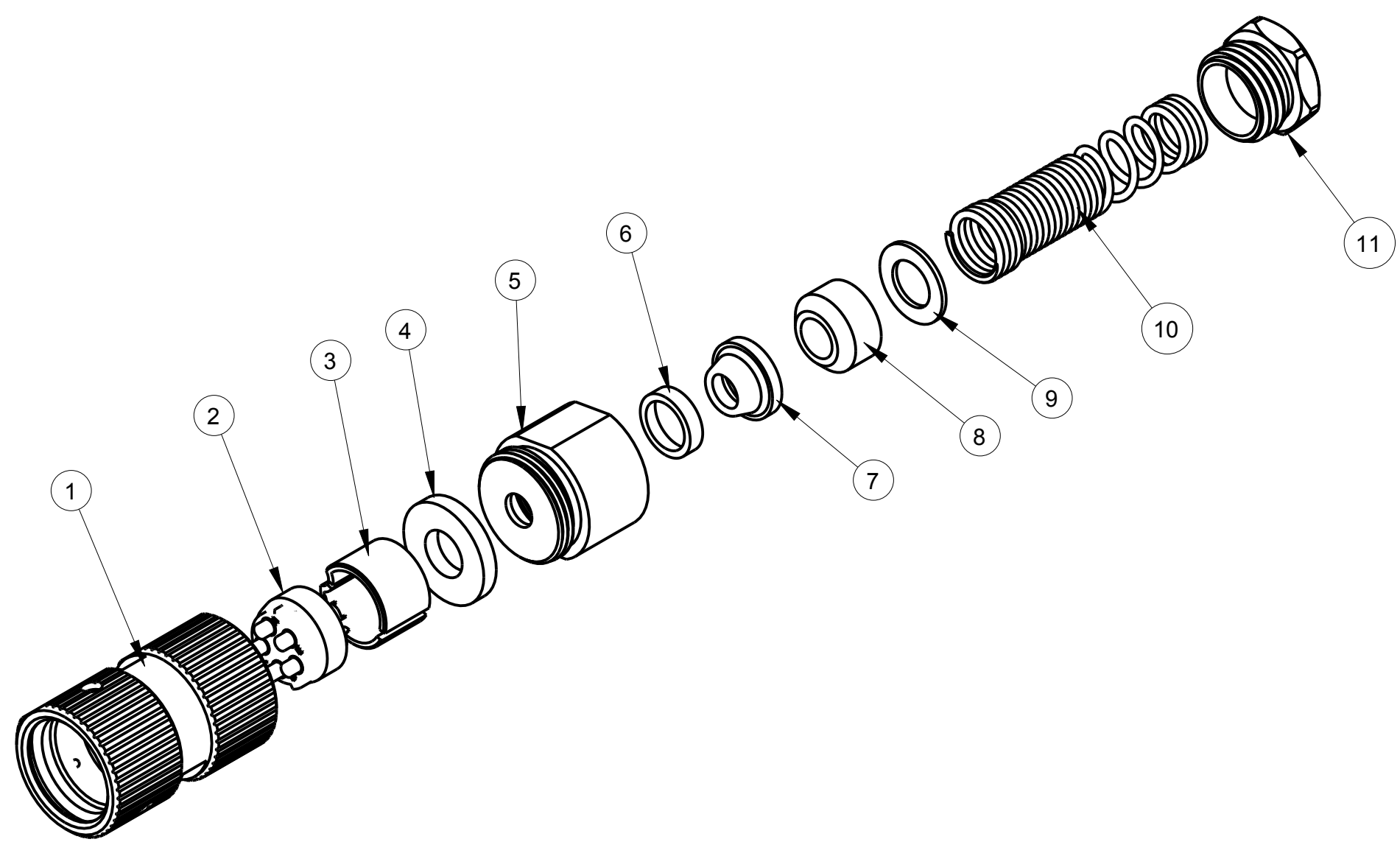


ITEM #	PART #	QTY	DESCRIPTION	MATERIAL
1	AP-145-1M	1	SHELL ASS'Y	303 STAINLESS STEEL
2	AP-145-6	1	INSERT ASS'Y	DIALYPHTHALATE, TYPE SDGF & GOLD PLATED BRASS
3	AP-105-5	1	STRAIN RELIEF	NYLON
4	AP-116-3	1	WASHER	RUBBER
5	AP-136-8	1	NUT ADAPTER	BRASS, BLACK CHROME
6	AP-136-6	1	CLAMP SHIELD, OUTER	NICKEL PLATED BRASS
7	AP-136-5	1	CLAMP SHIELD INNER	NICKEL PLATED BRASS
8	SEE TABLE #1	1	BUSHING	RUBBER
9	SEE TABLE #1	1	WASHER	STAINLESS STEEL
10	SEE TABLE #1	1	SPRING	302 STAINLESS STEEL
11	AP-116-6	1	STUD	ANODIZED ALUMINUM ALLOY

C AP-145MS-CP

AUDIO PLUG #	CABLE Ø	BUSHING	WASHER	SPRING
AP-145MS-1	Ø .165 ± .010	AP-116-17	AP-116-2	AP-116-4
AP-145MS-2	Ø .228 ± .010	AP-116-18	AP-116-2	AP-116-4
AP-145MS	Ø .250 ± .010	AP-116-8	AP-116-2	AP-116-4
AP-145MS-4	Ø .290 ± .010	AP-116-19	AP-116-2	AP-116-4
AP-145MS-5	Ø .320 ± .010	AP-116-20	AP-116-22	AP-116-21

NOTES:
1) UNLESS OTHERWISE SPECIFIED, CONNECTOR MEETS ALL GENERAL REQUIREMENTS & SPECIFICATIONS OF MIL-C-55116



SECTION Z-Z

THIS DOCUMENT CONTAINS PROPRIETARY INFORMATION OF NEXUS, INCORPORATED AND SUCH INFORMATION MAY NOT BE DISCLOSED TO OTHERS FOR ANY PURPOSE OR USED FOR ANY PURPOSE WITHOUT THE WRITTEN CONSENT OF NEXUS.

					DWN.BY	HR	DATE	4/25/13	MATERIAL		
					CHECKED BY		DATE		FINISH		
					APPR.BY		DATE		WEIGHT	SCALE = 1.00 :1	
C	DEL: 9° ; 33° , ADD: 12° ; 36° ; TABLE #1, CHG: 45° TO 45° REF	226	8/26 2015	HR	UNLESS OTHERWISE SPECIFIED DIMENSIONS ARE IN INCHES & OR (mm)					TITLE	NEXUS STAMFORD, CONN
B	CHG: ITEM #5 MAT'L	202	6/9 2014	HR							
A	NEW RELEASE	173	4/25 2013	HR	TOLERANCES: DECIMAL: ±.XX(X.X) ±.XXX(X.XX) ±.XXXX(X.XXX) ±.0X(0.X) ±.00X(0.0X) ±.000X(0.0XX) FRACTION: ±X/XX ±.XXX ANGLES: ±X° ±.X°					DO NOT SCALE DWG.	SHEET 1 OF 1
LET.	REVISION	CN #	DATE	CHK						SIZE	DWG. NO.
										C	AP-145MS-CP