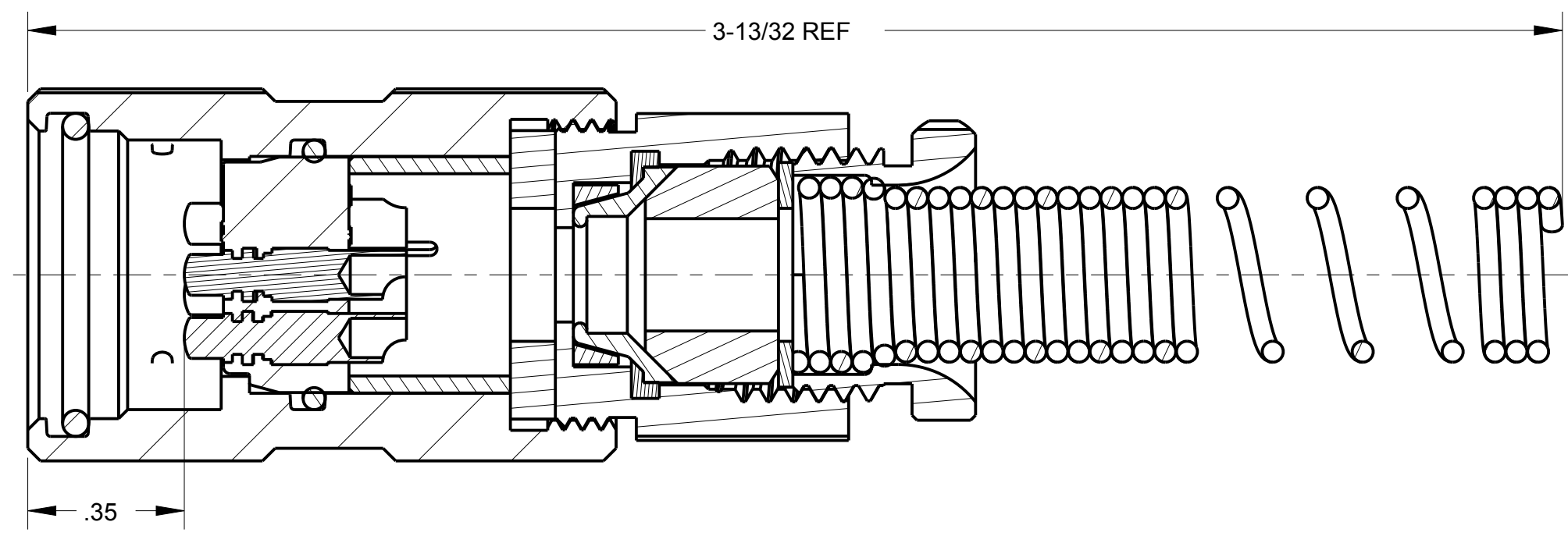
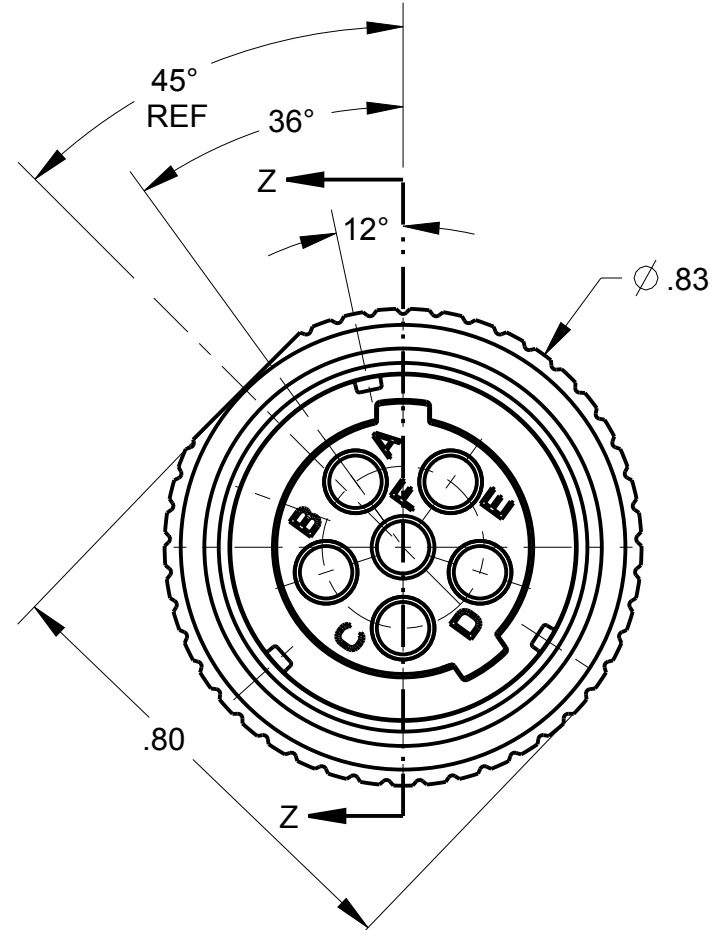
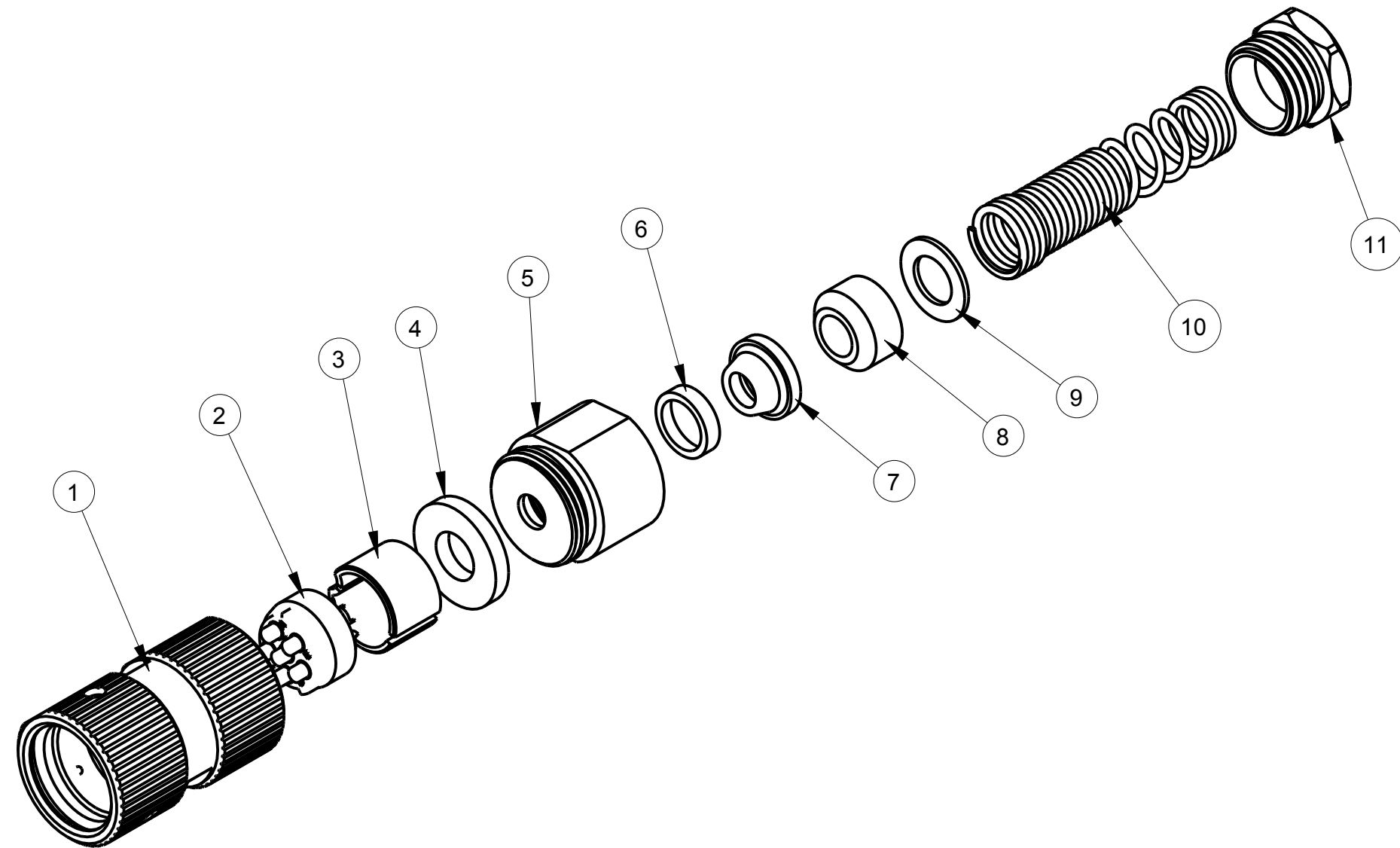


ITEM #	PART #	QTY	DESCRIPTION	MATERIAL
1	AP-145-1M	1	SHELL ASS'Y	303 STAINLESS STEEL
2	AP-146-6	1	INSERT ASS'Y	DIALLYPHTHALATE, TYPE SDGF & GOLD PLATED BRASS
3	AP-105-5	1	STRAIN RELIEF	NYLON
4	AP-116-3	1	WASHER	RUBBER
5	AP-136-8	1	NUT ADAPTER	BRASS, BLACK CHROME
6	AP-136-6	1	CLAMP SHIELD, OUTER	NICKEL PLATED BRASS
7	AP-136-5	1	CLAMP SHIELD INNER	NICKEL PLATED BRASS
8	SEE TABLE #1	1	BUSHING	RUBBER
9	SEE TABLE #1	1	WASHER	STAINLESS STEEL
10	SEE TABLE #1	1	SPRING	302 STAINLESS STEEL
11	AP-116-6	1	STUD	ANODIZED ALUMINUM ALLOY

C AP-176M-CP

TABLE #1				
PART #	Ø CABLE	BUSHING	WASHER	SPRING
AP-176M-01	Ø .165 ± .010	AP-116-17	AP-116-2	AP-116-4
AP-176M-02	Ø .228 ± .010	AP-116-18	AP-116-2	AP-116-4
AP-176M	Ø .250 ± .010	AP-116-8	AP-116-2	AP-116-4
AP-176M-04	Ø .290 ± .010	AP-116-19	AP-116-2	AP-116-4
AP-176M-05	Ø .320 ± .010	AP-116-20	AP-116-22	AP-116-21

NOTES:  
1) UNLESS OTHERWISE SPECIFIED, CONNECTOR MEETS ALL GENERAL REQUIREMENTS & SPECIFICATIONS OF MIL-C-55116



SECTION Z-Z

THIS DOCUMENT CONTAINS PROPRIETARY INFORMATION OF NEXUS, INCORPORATED AND SUCH INFORMATION MAY NOT BE DISCLOSED TO OTHERS FOR ANY PURPOSE OR USED FOR ANY PURPOSE WITHOUT THE WRITTEN CONSENT OF NEXUS.

LET	REVISION	CN #	DATE	CHK	LET	REVISION	CN #	DATE	CHK	DWN.BY	DATE	MATERIAL	FINISH	WEIGHT	SCALE = 1.00 :1	TITLE	SIZE	DWG. NO.
E	CHG: ITEM #5 MAT'L	202	8/9 2014	HR						GPH	2/24/10					AUDIO PLUG, SHIELDED	C	AP-176M-CP
D	ADD P/Ns TO P/L	101	2/25 2011	HR					GPH	2/24/10								
C	REMOVE "NEXUS" FROM VIEW	059	4/21 2010	GPH					GPH	2/24/10								
B	B1) WAS NUT ADAPTER AP-136-4 B2) WAS SHELL INSERT KNURLED AP-138-3M B3) WAS O-RING AP-105-3 B4) WAS O-RING AP-105-2	058	4/13 2010	GPH					GPH	2/24/10								
A	RELEASED FOR PRODUCTION	048	2/24 2010	GPH					GPH	2/24/10								
F	DEL: 10° ; 33° ; 2.1± .1, ADD: 12° ; 36° ; 45° REF	226	8/31 2015	HR														

DWN.BY	GPH	DATE	2/24/10
CHECKED BY	GPH	DATE	2/24/10
APPR.BY	GPH	DATE	2/24/10

MATERIAL		FINISH		WEIGHT		SCALE = 1.00 :1		<b>NEXUS</b> STAMFORD, CONN	
TITLE		AUDIO PLUG, SHIELDED		DO NOT SCALE DWG.		SHEET 1 OF 1			
SIZE		C		DWG. NO.		AP-176M-CP			