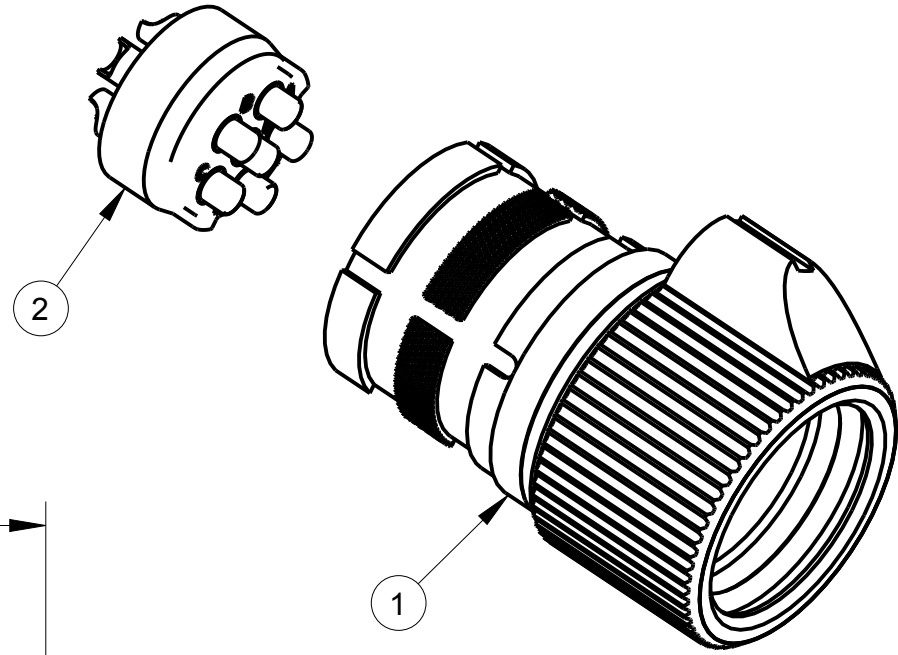
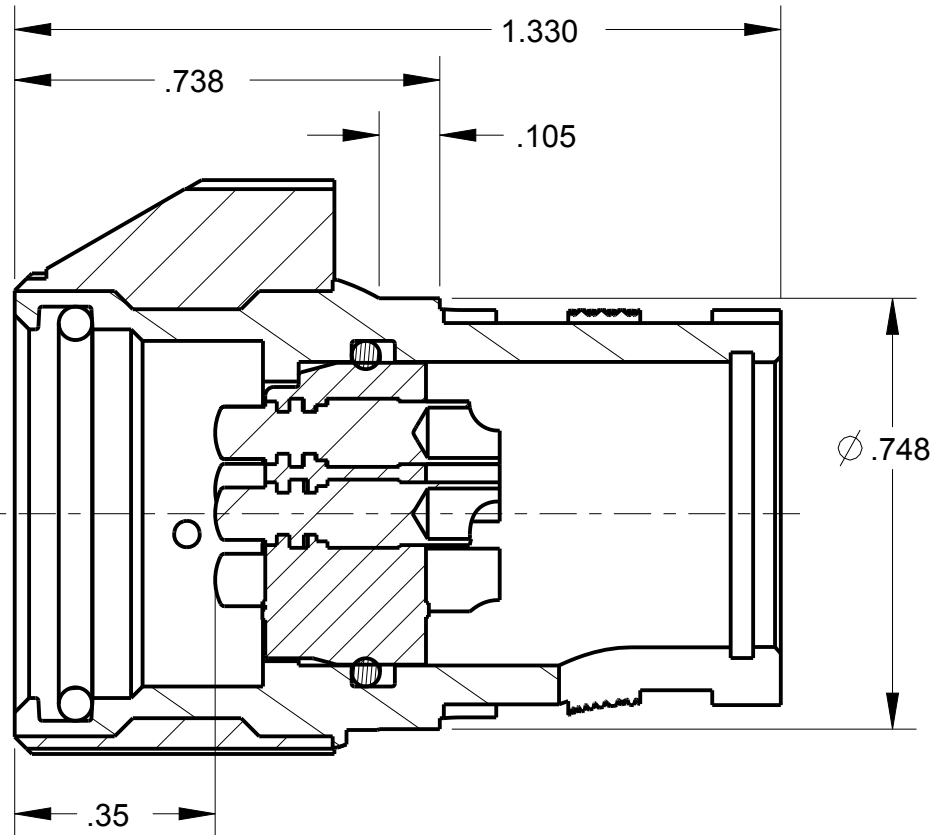
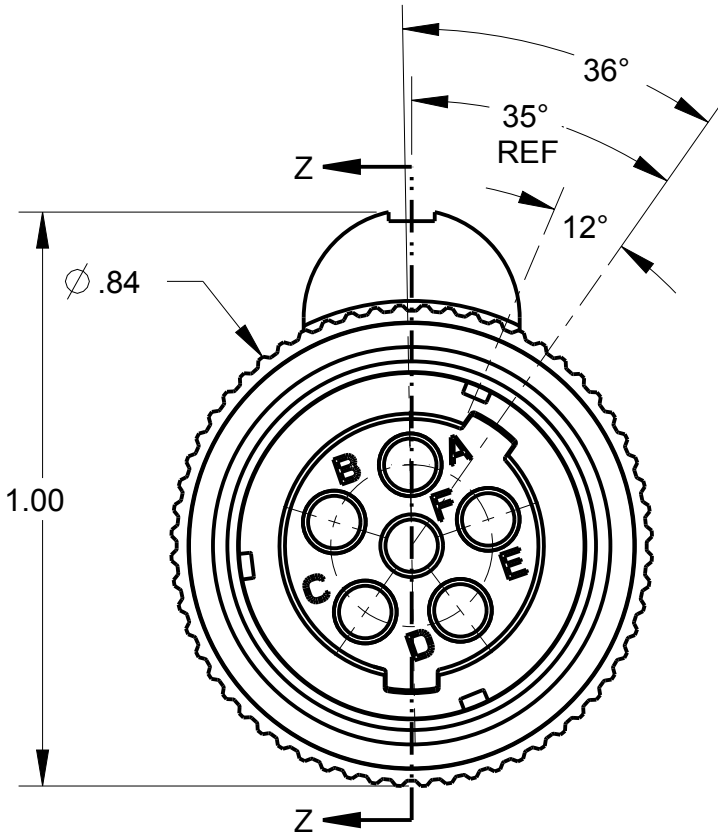


ITEM #	PART #	QTY	DESCRIPTION
1	AP-136-51	1	PLUG HOUSING SUBASSY
2	AP-146-6	1	INSERT ASSEMBLY

B AP-176RAOM-CP

NOTES:
1) ORDER PART NUMBER "AP-176RAOM"



SECTION Z-Z

THIS DOCUMENT CONTAINS PROPRIETARY INFORMATION OF NEXUS, INCORPORATED AND SUCH INFORMATION MAY NOT BE DISCLOSED TO OTHERS FOR ANY PURPOSE OR USED FOR ANY PURPOSE WITHOUT THE WRITTEN CONSENT OF NEXUS.

LET.	REVISION	CN #	DATE	CHK.
B	ADD: 12° ; 36° ; .35	226	9/1 2015	HR
A	NEW RELEASE		1/6 2012	HR

DWN.BY	HR	DATE	1/6/12	MATERIAL	
CHECKED BY		DATE		FINISH	
APPR.BY		DATE		WEIGHT	SCALE = 1.00 :1
<small>UNLESS OTHERWISE SPECIFIED: DIMENSIONS ARE IN INCHES &/OR [mm]</small> <small>TOLERANCES:</small> <small>DECIMAL: .XX[X.X] .XXX[X.XX]</small> <small>± .0X[0.X] ± .00X[0.0X]</small> <small>FRACTION: X/X ANGLES: X</small> <small>± X/XX ± X°</small>				TITLE	
				AUDIO PLUG RA OVERMOLD	
DO NOT SCALE DWG.				SHEET 1 OF 1	
			SIZE	DWG. NO.	
			B	AP-176RAOM-CP	

NEXUS
STAMFORD, CONN