


# 1. SPECIFICATION

AP-2509T-P1

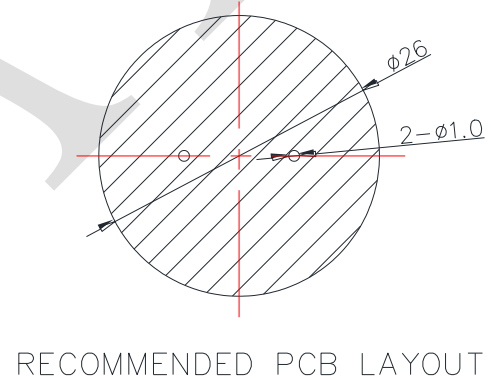
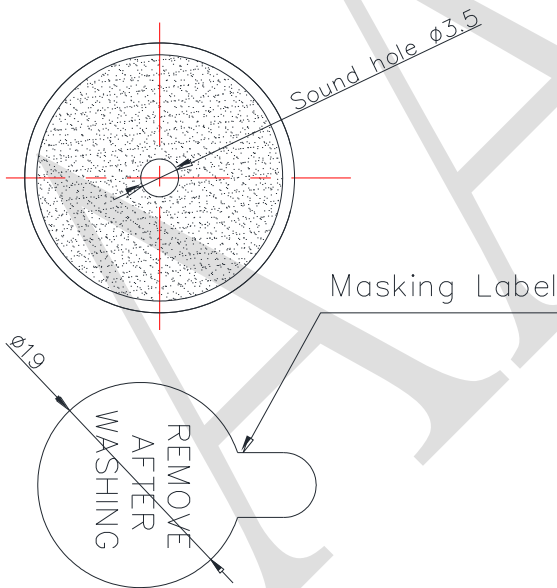
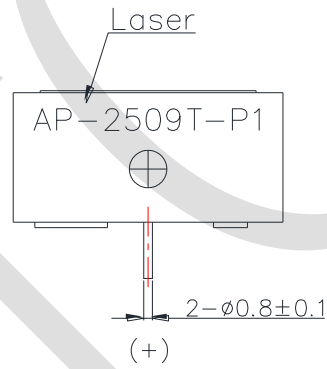
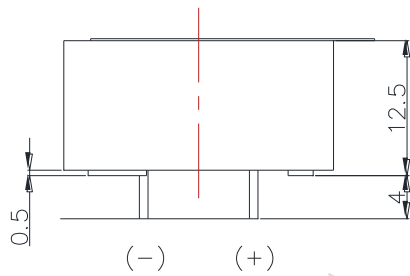
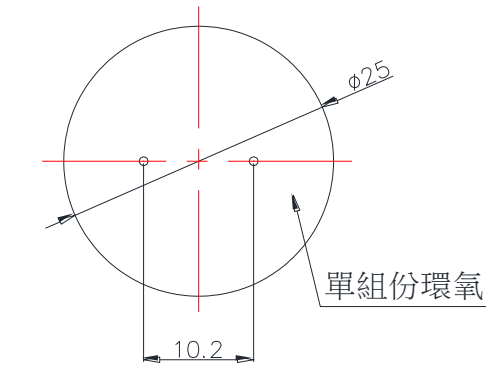
ITEM		UNITS	SPECIFICATIONS	CONDITIONS
01	Rated Voltage	V	9	
02	Operating Voltage	V	4 ~ 10	
03	Consumption Current	mA (Max)	Mean : 65	Applying rated voltage, rated frequency Square wave, 1/2 duty subject to standard state.
			Peak : 195	
04	Direct Current Resistance	$\Omega$	$65 \pm 5$	
05	Sound Output (Distance at 10cm )	dBA (Min)	85 ( 5V )	Applying rated voltage, rated frequency Square wave, 1/2 duty subject to standard state.
			90 ( 9V )	
06	Rated Frequency	Hz	1000	

REV NO.

REVISION NOTE

APPROVAL

DATE



RoHS

TITLE: ELECTRO MAGNETIC BUZZER		DRAWN: <b>Moose</b> 2016/01/19	SCALE: 4:1	SHEET: 1 of 1
PART NO. AP-2509T-P1		DESIGNED: R&D OF AAT	UNITS: mm	
DWG NO. UGCM2509P4.0T	1 REV	CHECKED:	TOLERANCE ± 0.5	
		APPROVAL:	UNLESS OTHERWISE SPECIFIED: ONE PLACE DECIMAL ± *** TWO PLACE DECIMAL ± *** THREE PLACE DECIMAL ± ***	
		MATERIAL: NORYL		



ADVANCED ACOUSTIC TECHNOLOGY CORPORATION