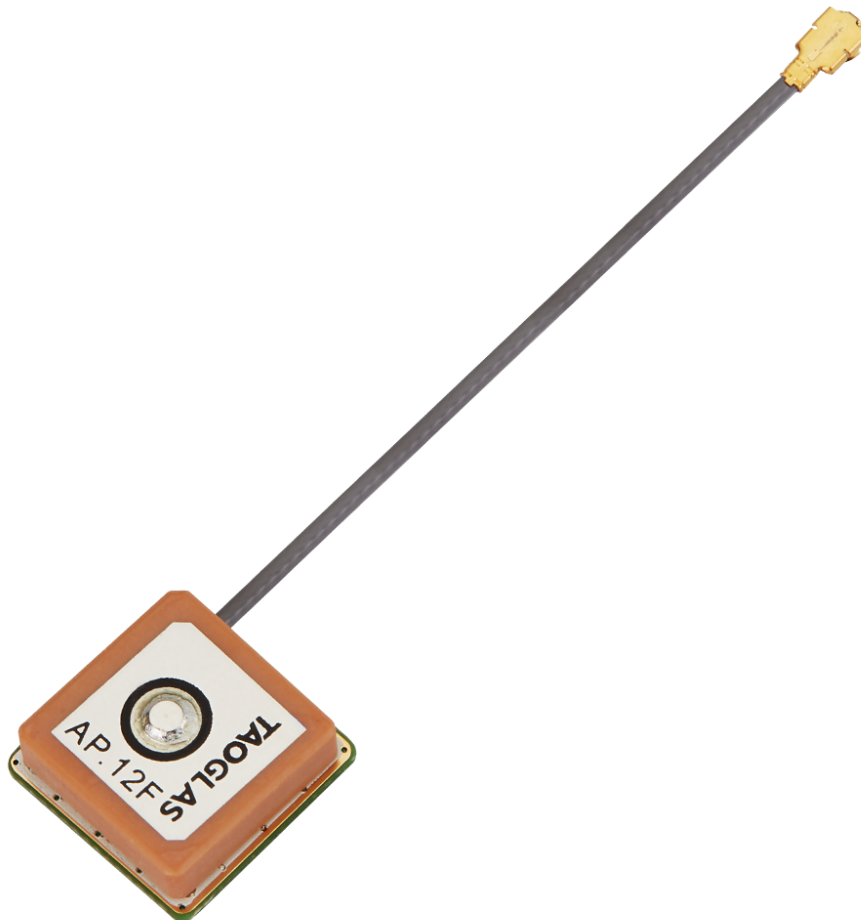


SPECIFICATION

Part No.	:	AP.12F.07.0045A
Product Name	:	12mm Two Stage 25dB GPS/GALILEO Active Patch Antenna Module with front-end Saw Filter
Features	:	13.4*13.4*6mm (Ground Plane) 45mm Ø1.13 cable IPEX MHFI (U.FL) 28dB LNA Wide Input Voltage 1.8V to 5.5V Low Power Consumption RoHS & Reach compliant

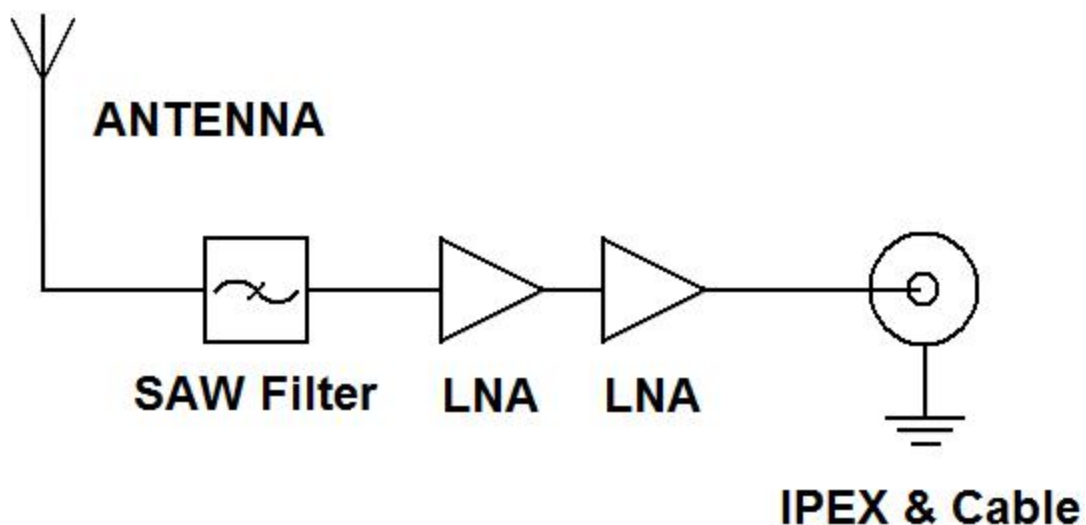


1. Introduction

The AP.12F has been designed specifically for embedded (inside device) integration with GPS/GALILEO receiver modules where there is a GSM transmitter nearby and risk of interference and saturation.

The AP.12F combines a 12*12*3.5mm advanced low profile ceramic patch antenna with a two stage LNA and a front-end SAW filter with ultra thin coaxial cable.

Only 5.6mm in height, this Taoglas active antenna module utilises XtremeGain™ technology for the highest industry sensitivity. The AP.12F consists of 2 functional blocks – the LNA and also the patch antenna.

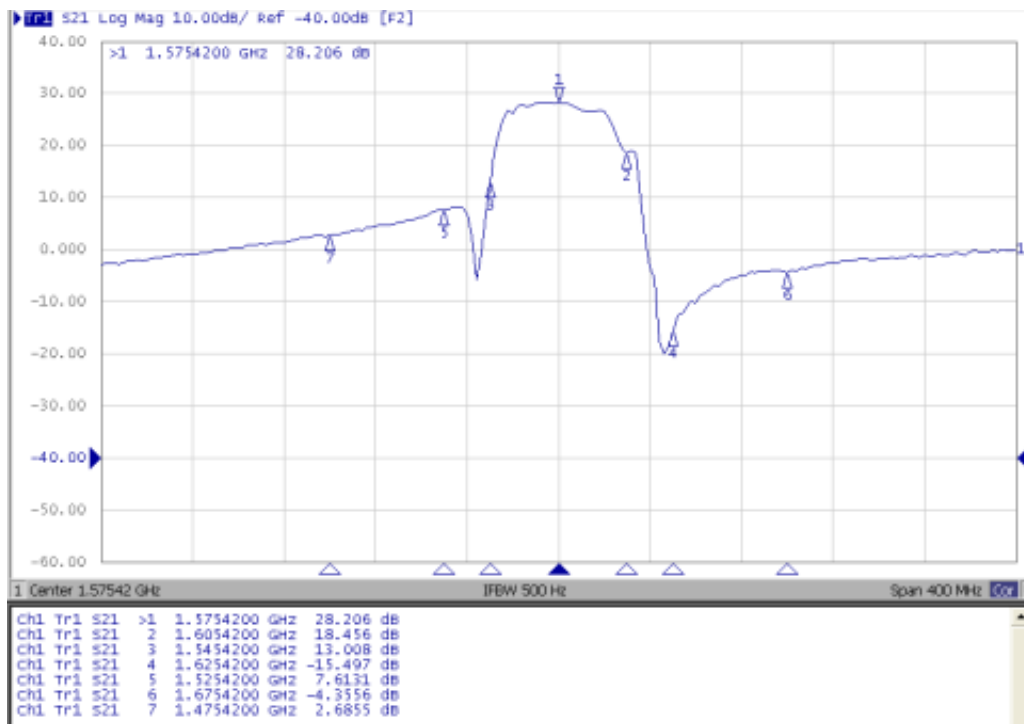


The AP.12F has a SAW filter on the front of it. The main use of the AP.12F would be for small devices where the GSM transmitter is close to the GPS/GALILEO antenna, it helps avoid burn-out of the LNA or the module due to interference from the GSM transmitter at out band frequencies.

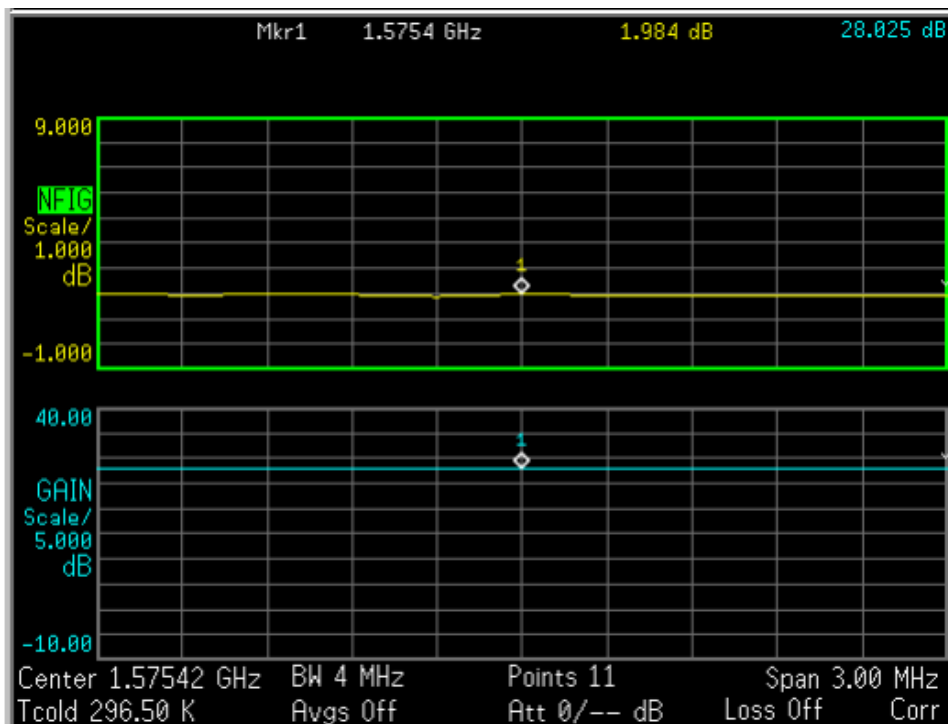
2. Specification

ELECTRICAL			
Frequency	1575.42 ± 1.023MHz		
Gain @ Zenith	-5 dBic Typ. @ Zenith		
Gain (with LNA)	At 3V: 23 ± 4dBi@90°		
Impedance	50Ω		
Polarization	RHCP		
Axial Ratio	4.0dB max. @Zenith		
Input Voltage	Min. 1.8V Typ 3.0V Max. 5.5V		
LNA			
Frequency	1575.42 ± 1.023MHz		
Outer Band Attenuation	F0=1575.42MHz		
	F0□30MHz	8dB min.	
	F0□50MHz	20dB min.	
	F0□100MHz	25dB min.	
Output Impedance	50Ω		
Output VSWR	2.0 Max		
Pout at 1dB Gain	Typ. 11dBm		
Compression point	Min. 5dBm		
LNA Gain, Power Consumption and Noise Figure			
Voltage	LNA Gain (Typ)	Power Consumption(mA) Typ	Noise Figure Typ
Min. 1.8V	20dB	4mA	2.0dB
Typ. 3.0V	28dB	9mA	2.0dB
Max. 5.5V	29dB	20mA	2.0dB
Input Voltage	Min. 1.8V	Typ. 3.0V	Max. 5.5V
MECHANICAL			
Dimension	12mm x 12mm x 3.5mm		
RF Cable	Coaxial Cable Ø1.13 ± 0.1mm, length 45 ± 2.5mm		
Connector	IPEX MHFI (U.FL)		
ENVIRONMENTAL			
Operation Temperature	-40°C to + 85°C		
Storage Temperature	-40°C to + 85°C		
Relative Humidity	40% to 95%		

2.1. LNA Gain and Out Band Rejection @3.0V

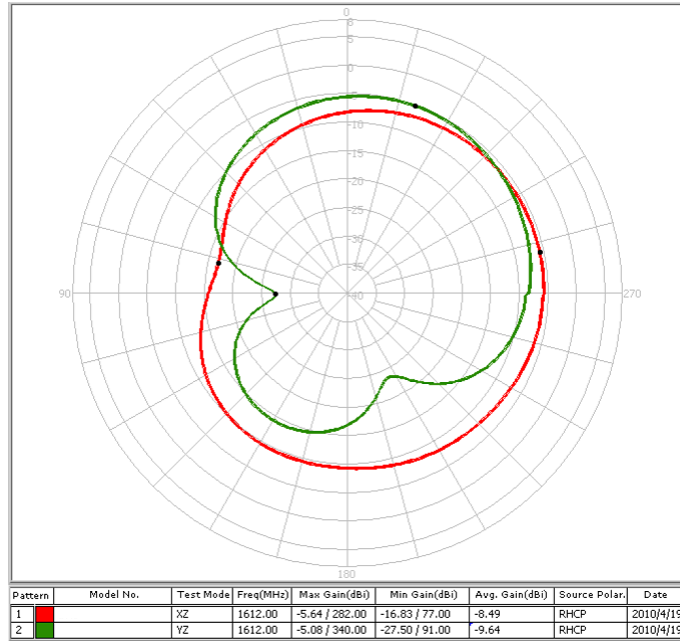


2.2. LNA Noise Figure @3.0V

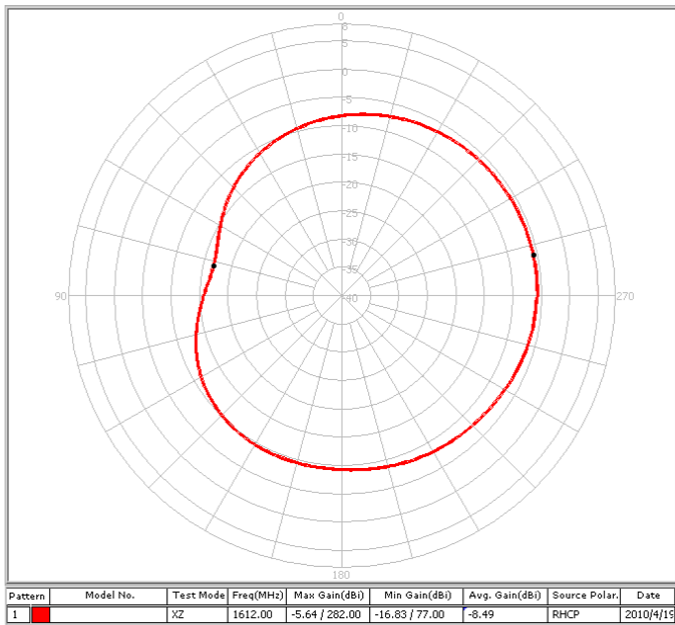


3. Radiation Patterns

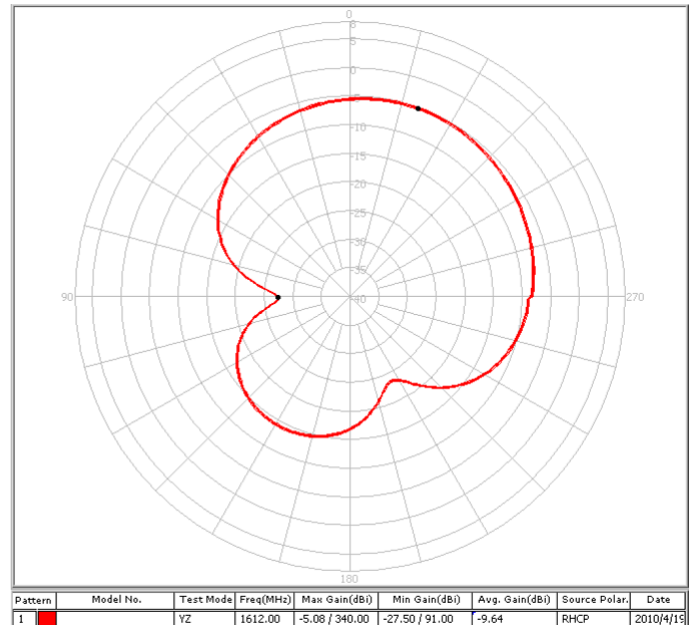
XY Plane



XZ Plane



YZ Plane

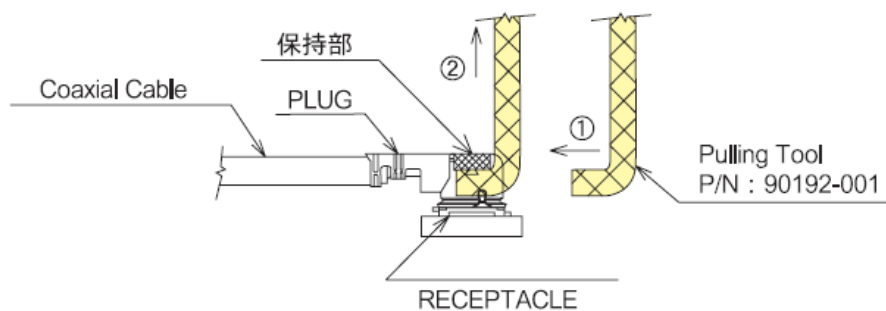


4. Plugs Usage and Precautions

4.1. Mating / Un-mating

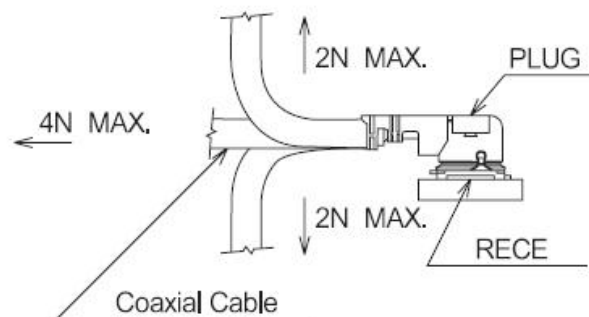
(1) To disconnect connectors, insert the end portion of I-PEX under the connector flanges and pull off vertically, in the direction of the connector mating axis.

(2) To mate the connectors, the mating axes of both connectors must be aligned and the connectors can be mated. The "click" will confirm fully mated connection. Do not attempt to insert on an extreme angle.

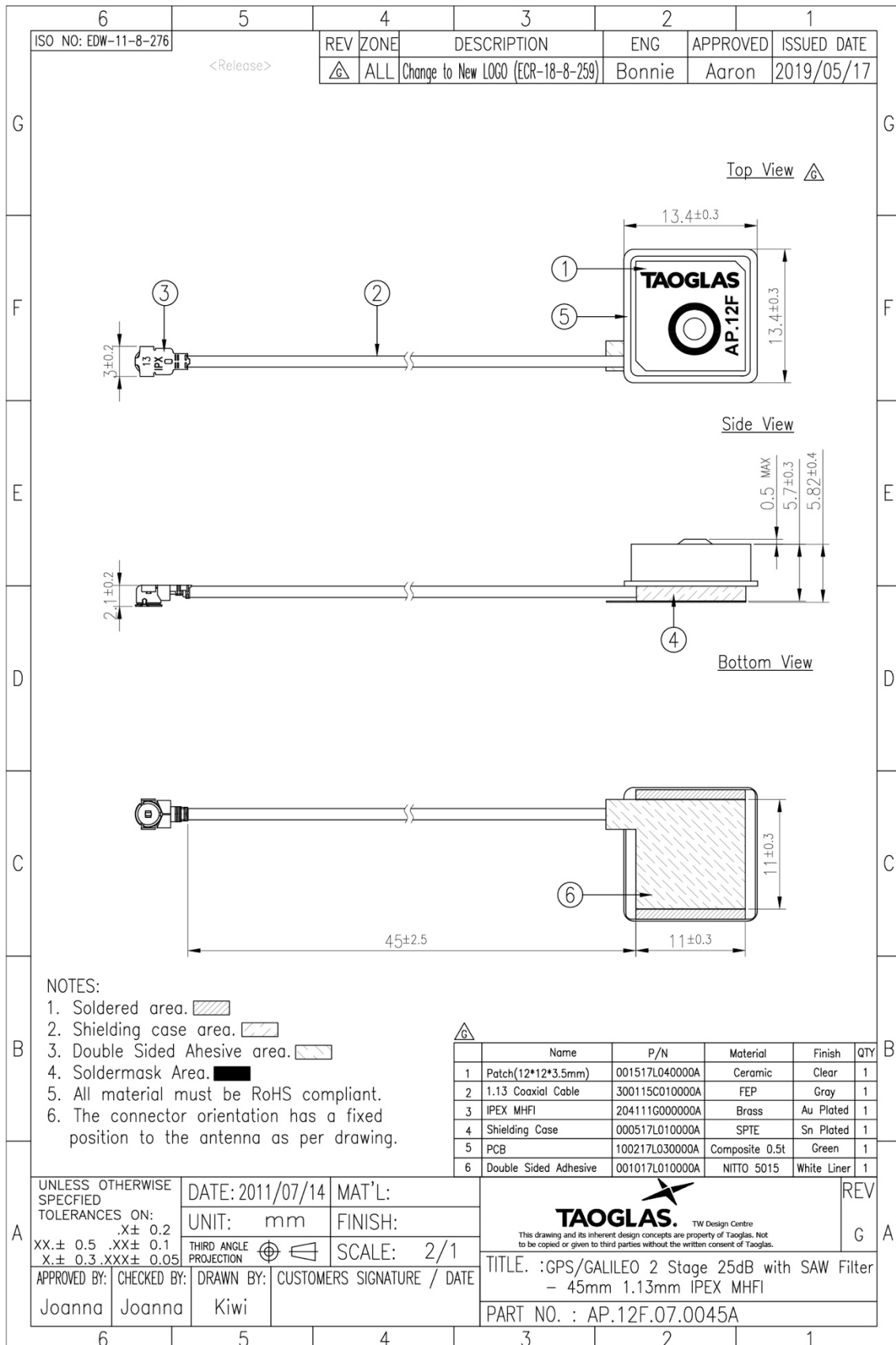


4.2. Pull forces on the cable after connectors are mated

After the connectors are mating, do not apply a load to the cable in excess of the values indicated in the diagram below.



5. Technical Drawing



6. Packaging

