

# AIRPAX®

## AP/UP, AP/MIL Series Magnetic Circuit Protectors



*Introduction* • 71

*Poles* • 72

*Configurations* • 75

*Operating Characteristics* • 76

*Delay Curves* • 77

*Specifications* • 78

*Decision Tables* • 79





## **AIRPAX®** | AP/UP, AP/MIL Series Hydraulic Magnetic Circuit Protectors

### **INTRODUCTION**

The Airpax™ AP series are fully sealed, magnetic circuit protectors that combine power switching and accurate, reliable circuit protection with inverse time delays and trip free features.

Unlike a thermal circuit protector, the AP does not change its trip current over a wide temperature span. In addition, the AP magnetic circuit protector is available in either DC, 50/60Hz or 400Hz versions and with various delays to match the protector to specific application requirements.

One of the most important features of this protector is the “trip free” action, which means the circuit will not remain closed in the presence of an overload even though the handle is held in the ON position. The delay mechanism senses the fault and the contacts open.

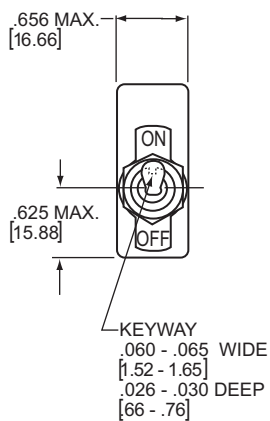
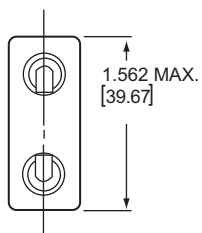
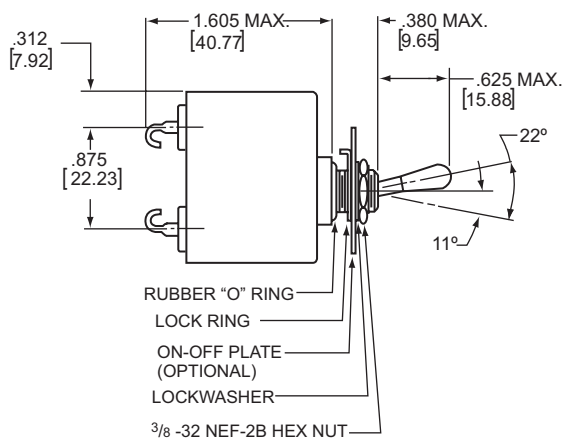
Waterproof panel integrity is provided by an “O” ring bushing seal and a silicon rubber gland within the bushing/handle assembly. Salt spray testing per MIL-STD-202, Method 101, Test Condition B, with no evidence of corrosion, electrical or mechanical damage.

Typical applications include communication, navigation and aircraft instrumentation, radar and power supplies.

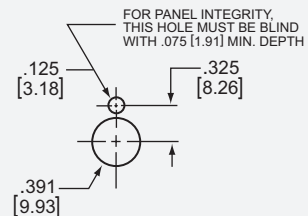
The Airpax™ UP circuit protector, with UL recognition and CSA certification, is essentially the same as the AP in construction and operating principle. It is approved for operation at 50 volts DC to 20 amperes, 120 volts 50/60Hz to 15 amperes and 240 volts 50/60Hz to 7.5 amperes. The UP circuit protector is available in single pole units only, due to UL and CSA creepage specifications and the wide glass terminals utilized. The UP series offers an optional FM approval (Factory Mutual Research), provided for petrochemical applications. FM approval is available for single pole, series trip, UP type units only.

The Airpax™ AP-MIL protectors are produced in accordance with MIL-PRF-39019 and the pertinent specification sheets, are subjected to an exacting production and test program to maintain their Qualified Products Listing (QPL). One, two and three pole series trip units, with or without auxiliary contacts, have been accepted for this listing. Refer to specification sheets MIL-PRF-39019/1 through 6 for the application government designations. The AIRPAX cage code number is 81541.

# SINGLE POLE CIRCUIT PROTECTORS



## Mounting Detail



Panel Mounting Detail: Tolerance for Mtg.  $\pm .005$  [.13]  
 Maximum Panel Thickness: .156 [3.96]

## MULTI-POLE CIRCUIT PROTECTORS

### AP Multi-Pole Combinations

Circuit demands and design ingenuity suggest a limitless number of special combinations, ranging from a two pole unit with one series breaker and a simple ON-OFF switch, to a more complex three pole unit having one series, one shunt and one relay configuration with auxiliary indicator circuit contacts. Please contact Airpax for specific part number.

### Two Pole, AP12

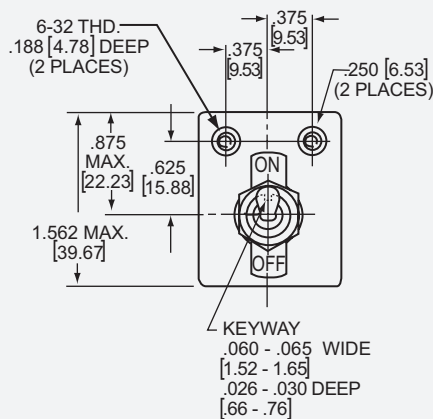
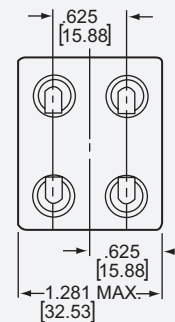
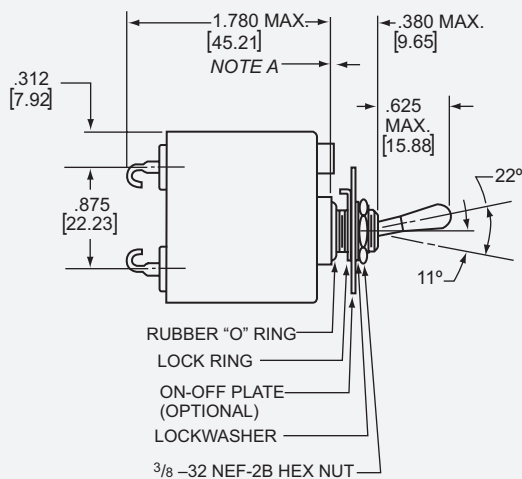
Two of the basic units are combined in a sealed case to provide protection for dual circuit. A single toggle handle actuates both internal trip mechanisms. Conversely, an overload in either circuit trips both simultaneously.

The AP12 consists of two independent series trip protectors, each available with its own rating and delay characteristics.

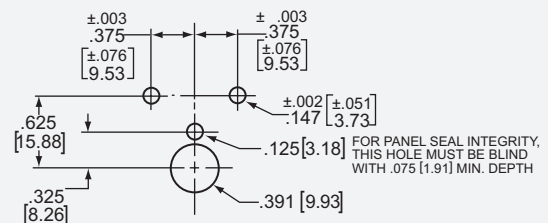
This two pole unit can therefore have an unlimited number of combinations, which makes ordering by a code system impractical. Thus, if the poles differ, a descriptive drawing is recommended.

One frequent use of two pole protectors is to interrupt either or both sides of a power line. Likewise, three pole protectors often use three identical coils. However, any two or three pole protectors may have any coil of any delay in any desired combination. (Unless otherwise specified, we assume the two or three poles to be all alike.)

### Two Pole, AP12, Toggle



### Mounting Detail



Panel Mounting Detail: Tolerance for Mtg.  $\pm .005$  [.13]  
Panel Thickness: .125-.156 [3.18-3.96]

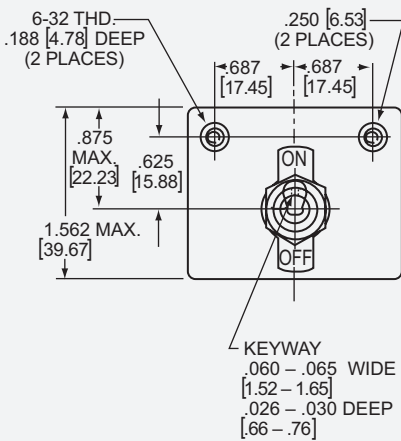
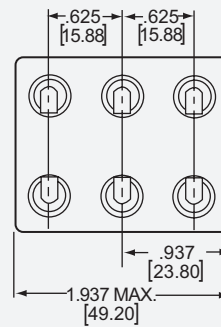
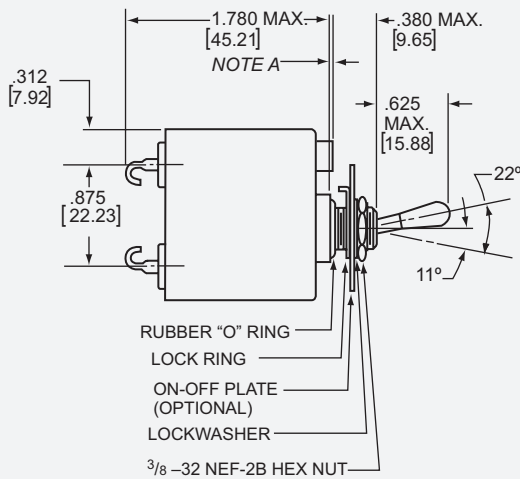
Note: Tolerance  $\pm .031$  [.79] Angles:  $\pm 5^\circ$  unless noted. Dimensions in brackets [ ] are millimeters.  
A: Threaded inserts exceed seated height of bushing by .005-.015 [.13-.38]

All multi-pole units have provisions for a rugged three point panel mount. Use of 6-32 panel seal screws together with the bushing mount is recommended to maintain specification shock and vibration levels.

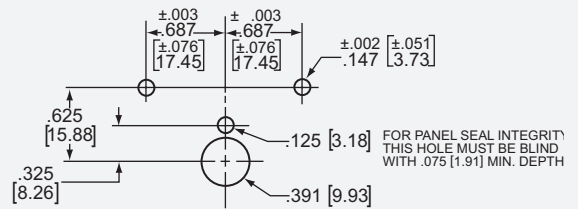
**Three Pole, AP112**

Three circuits may be simultaneously protected. One actuating toggle handle closes all circuits and all poles trip in the presence of an overload on any circuit. Some typical combinations could be: 3 series poles; 2 series and one shunt; 2 series and one relay; or 3 series with a set of auxiliary contacts. Like the two pole protectors, each pole may have different ratings and delays.

**Three Pole, AP112, Toggle**



**Mounting Detail**



Panel Mounting Detail: Tolerance for Mtg. ±.005 [0.13]  
 Panel Thickness: .125-.156 [3.18-3.96]

## CONFIGURATIONS

### Series Trip

The most popular configuration for magnetic protectors is the series trip where the sensing coil and contacts are in series with the load being protected. The handle position conveniently indicates circuit status. In addition to providing conventional overcurrent protection, it's simultaneously used as a power disconnect.

### Shunt Trip

The shunt trip is designed for controlling two separate loads with one assembly. The control is established by providing overload protection for the critical load. When the current through this load becomes excessive and reaches the trip point the protector will open and remove power from both loads simultaneously. The total current rating of both loads must not exceed the maximum contact rating.

### Relay Trip

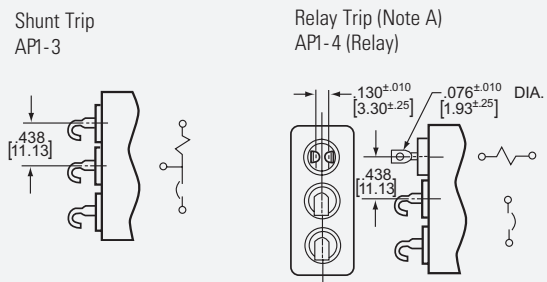
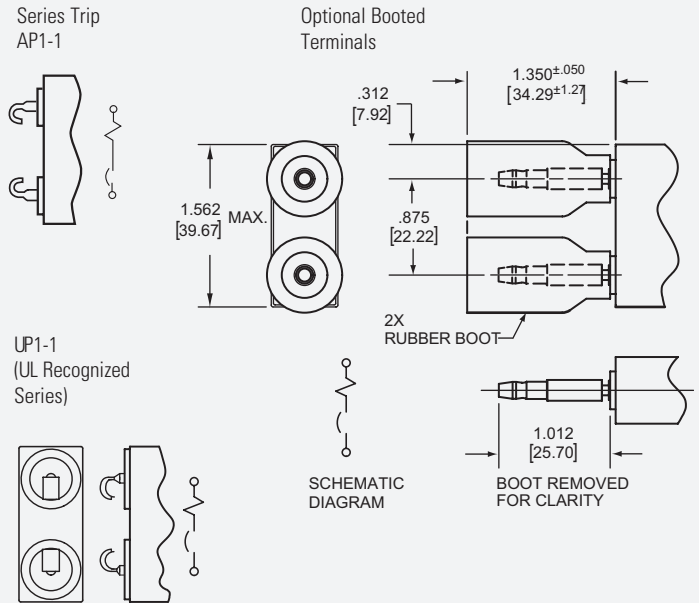
This permits the overload sensing coil to be placed in a circuit which is electrically isolated from the trip contacts. The coil may be actuated by sensors monitoring pressure, flow, temperature, speed, etc. Other typical applications include crowbar, interlock and emergency/rapid shutdown circuitry. Trip may be accomplished by voltage or current, which must be removed immediately upon tripping.

### Remote Indication, AP1-1R

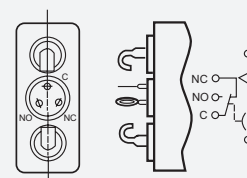
AP series trip circuit protectors are available with electrically isolated contacts which are rated at 1/2 ampere, 120 volts AC or 50 volts DC. These contacts provide SPDT switching action which can be used to indicate "power-on" and "power-off" conditions or to actuate lights, alarms or timing devices.

### Voltage Trip

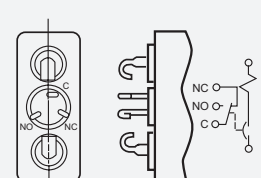
Sometimes called "dump circuits" or "panic trip circuits," these units make it possible to open main power contacts with lower power inputs from one or more sources. This configuration is becoming increasingly more important for sensitive circuitry and denser packaging in automation systems. Available in series, shunt or relay configurations.



Series with Auxiliary Switch  
AP1-1R (Note A)



Switch with Auxiliary Switch  
AP1-1RC (Note A)



AP7-1 (Screw Terminal with Terminal Block)



Note: Tolerance  $\pm .031$  [7.9] Angles:  $\pm 5^\circ$  unless noted.  
Dimensions in brackets [ ] are millimeters.  
A. Main protector contacts open.

## OPERATIONAL CHARACTERISTICS

### Inrush Pulse Tolerance

The following table provides a comparison of inrush pulse tolerance with and without the inertial delay feature for each of the 50/60Hz delays. Pulse tolerance is defined as a single pulse of half sine wave peak current amplitude of 8 milli-seconds duration that will not trip the circuit protector.

| DELAY VS PEAK AMPLITUDE |                                |
|-------------------------|--------------------------------|
| Delay                   | Peak Amplitude                 |
| 61, 62, 71, 72, A, B    | 4 Times Rated Current (60Hz)   |
| 61F, 62F, 71F, 72F      | 6.5 Times Rated Current (60Hz) |
| 64, 65                  | 10 Times Rated Current (60Hz)  |
| 64F, 65F                | 13 Times Rated Current (60Hz)  |
| 41, 42, AF, BF          | 14 Times Rated Current (400Hz) |
| 41F, 42F                | 20 Times Rated Current (400Hz) |
| 51, 52                  | 6 Times Rated Current (60Hz)   |
| 51F, 52F, AF, BF        | 8 Times Rated Current (60Hz)   |

### SERIES RESISTANCE NOMINAL VALUES @ +25°C

| Current Ratings<br>DC, 50/60Hz, 400 Hz<br>(Amps) | DC Series Resistance<br>All Delays except<br>40, 50, 60 (ohms) | DC Series Resistance<br>Delays 40, 50, 60<br>(ohms) |
|--|--|---|
| 0.050  | 470  | 105   |
| 0.100  | 145  | 27.0  |
| 0.250  | 18.0   | 3.80  |
| 0.500  | 4.30   | 1.00  |
| 0.750  | 1.60   | 0.400   |
| 1.00   | 1.15   | 0.230   |
| 2.00   | 0.298  | 0.060   |
| 3.00   | 0.130  | 0.033   |
| 5.00   | 0.052  | 0.012   |
| 7.50   | 0.025  | 0.007   |
| 10.0   | 0.016  | 0.006   |
| 15.0   | 0.006  | 0.005   |
| 20.0   | 0.005  | 0.004   |

*Tolerance at ±25% values based on V-A method after 1 hour stabilization at 100% rated current. Consult factory for other limits.*

### PERCENTAGE OF RATED CURRENT VS TRIP TIME IN SECONDS AT +25°C (VERTICAL MOUNT)

| Delay       | 100%    | 125% (Note A) | 200%         | 400%         | 800%         |
|-------------|---------|---------------|--------------|--------------|--------------|
| 40*         | No Trip | .035 Max      | .025 Max     | .015 Max     | .015 Max     |
| 41          | No Trip | .200 to 7     | .055 to .950 | .010 to .240 | .005 to .080 |
| 42          | No Trip | 3 to 60       | .500 to 9    | .010 to 1.75 | .005 to .100 |
| 49*         | No Trip | .100 Max      | .050 Max     | .020 Max     | .015 Max     |
| 50*         | No Trip | .035 Max      | .025 Max     | .015 Max     | .015 Max     |
| 51          | No Trip | .400 to 4     | .060 to .600 | .010 to .200 | .005 to .035 |
| 52          | No Trip | 4 to 40       | .600 to 6    | .010 to 1.50 | .005 to .050 |
| 59*         | No Trip | .100 Max      | .050 Max     | .020 Max     | .015 Max     |
| 60*         | No Trip | .035 Max      | .025 Max     | .015 Max     | .015 Max     |
| 61          | No Trip | .500 to 5     | .070 to .700 | .020 to .200 | .008 to .080 |
| 62          | No Trip | 4 to 40       | .800 to 8    | .010 to .300 | .005 to .080 |
| 64          | No Trip | .900 to 10    | .200 to 1.70 | .040 to .500 | .012 to .100 |
| 65          | No Trip | 9 to 60       | 1.15 to 7    | .110 to 1    | .010 to .190 |
| 69*         | No Trip | .100 Max      | .050 Max     | .020 Max     | .015 Max     |
| 71 (Note B) | No Trip | .200 to 7     | .055 to .950 | .010 to .240 | .005 to .080 |
| 72 (Note B) | No Trip | 3 to 60       | .500 to 9    | .010 to 1.75 | .005 to .100 |
| 79 (Note B) | No Trip | .100 Max      | .050 Max     | .020 Max     | .015 Max     |

\*Notes: Instantaneous delays (40, 49, 59, 60, 69, 79) are not compatible with inrush enhancement options and are not recommended for general use.

A. 150% for delays 40, 50 & 60. 135% minimum trip for delays 41, 42, 49, 71, 72 & 79.

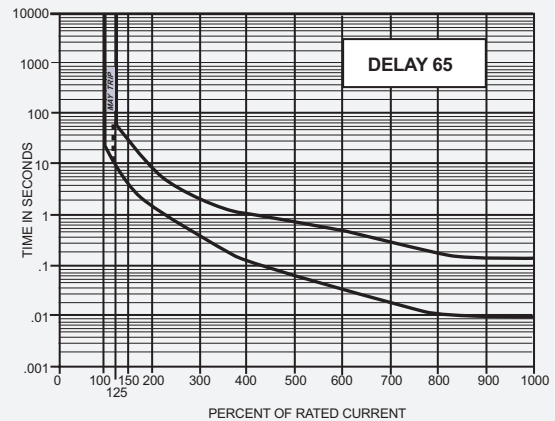
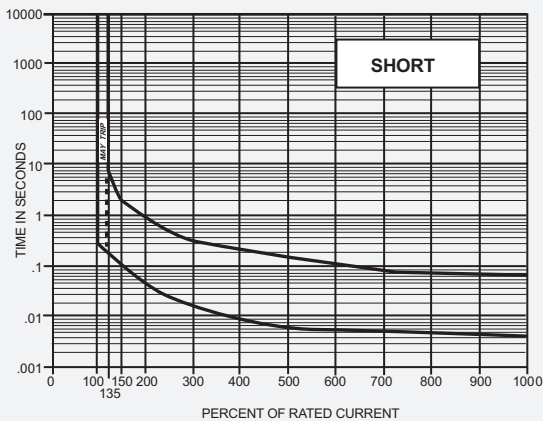
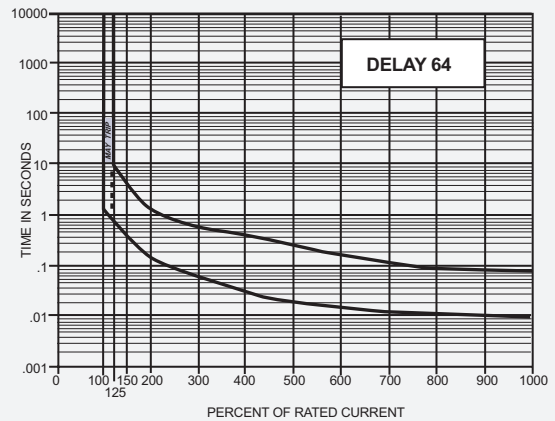
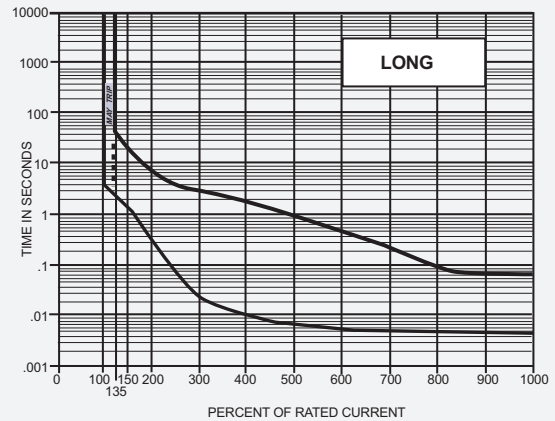
B. Military time delays. 71=A, 72=B, 79=C

## TYPICAL DELAY CURVES

The delay curves below illustrate our standard instant, short and long delays. Please consult factory for specific delay curves or refer to table on page 87.

Delay curves 64 and 65 illustrate the improved inrush tolerance provided compared to standard delays. Not available in MIL configurations.

All trip times and trip currents are specified with the breaker mounted in the normal vertical position at ambient temperature of 25°C. For time delay test and measurement purposes, the breakers should not carry current prior to application of overload.





**Trip Free**

AP circuit protectors will trip open on overload, even when forcibly held ON. This prevents the operator from damaging the circuit by holding the handle in the ON position.

**Trip Indication**

The operating handle of the breaker moves forcibly and positively to the OFF position on overload. It is not necessary to manually “reset” to full “OFF” in order to turn it on again.

**Ambient Operation**

The protector will operate at any ambient between  $-40^{\circ}$  C and  $+100^{\circ}$  C, when tested in accordance with the requirements of MIL-PRF-39019.

**Insulation Resistance**

Exceeds 100 megohms at a potential of 100Vdc.

**Dielectric Strength**

The protector will withstand 1250 volts RMS, 60Hz from terminals to case and between the terminals when open.

**Endurance**

With the circuit protector operated as an ON-OFF switch, operating life exceeds 10,000 operations at a rate of 6 per minute when tested as follows: 6000 OPS @ rated current plus 4000 OPS @ no load.

**Ratings**

AP protectors are available in current ratings from 50 milliamperes to 20 amperes, 50 volts DC or 240 volts AC, maximum, 60 Hz or 400 Hz. UP protectors are UL 1077 and CSA approved as per the following table. Please consult factory for ratings other than those noted.

**Lever Strength**

The operating lever or its seal will not be damaged by a 10 lb. force applied in any direction.

**Shock**

All protectors withstand 100G without tripping, even while carrying full rated current with shock applied in any plane of 6 ms duration. Test is made according to Method 213, Test Condition I or MIL-Std-202 as outlined in Paragraph 4.6.14 of MIL-PRF-39019. Delay 40, 50 and 60 breakers are tested at 80% of rated current.

**Vibration**

All protectors withstand vibration from 10 to 55 cycles at .06 double amplitude and 55 to 2000 cycles at 10G, applied in any plane, without damage and without tripping even while operating at full rated current. Test is made in accordance with Method 204A, Test Condition C, of MIL-Std-202 as outlined in Paragraph 4.6.12 of MIL-PRF-39019. Delay 40, 50 and 60 protectors are tested at 80% of rated current.

**Short Circuit Capacity**

When tested in accordance with the procedures of UL1077, AP supplementary protectors have a short circuit capacity of 1000 amperes at 32Vdc, 120Vac, 240Vac, 60 or 400Hz. Parts are recognized to UL1077 for type UP1 only. The rated Rupture Capacity per MIL-PRF-39019 is 500 amperes, 50 volts DC, 500 amperes, 120 volts AC and 300 amperes, 240 volts AC, 60 or 400Hz.

**Case Seal**

The breaker is fully sealed and will not show evidence of leakage under total immersion. Meets requirements of MIL-PRF-39019.

**Panel Seal**

The “O” ring provides, with the other illustrated hardware, a seal against a pressure differential of 15 psi applied for an hour.

| RATINGS |               |                  |    |    |                                 |     |       |
|---------|---------------|------------------|----|----|---------------------------------|-----|-------|
| Series  | Voltage       | Current          | TC | OL | Short Circuit Rating (SC, amps) | CSA | Phase |
| UP      | 50 VDC        | 0.05 to 20 amps  | 1  | 1  | U1, 1000                        | YES | —     |
| UP      | 240 VAC       | 0.05 to 7.5 amps | 1  | 0  | C1, 1000 4X fuse max            | YES | 1     |
| UP      | 120 VAC       | 0.05 to 15 amps  | 1  | 1  | C1, 1000 4X fuse max            | YES | 1     |
| UP      | 240 VAC (400) | 0.05 to 7.5 amps | 1  | 0  | C1, 1000 4X fuse max            | YES | 1     |
| UP      | 120 VAC (400) | 0.05 to 15 amps  | 1  | 0  | C1, 1000 4X fuse max            | YES | 1     |

| RECOMMENDED TORQUE SPECIFICATIONS |                 |
|-----------------------------------|-----------------|
| Component                         | Torque (in-lbs) |
| 6-32 Mounting Inserts             | 6 to 8          |
| 6-32 Screw Terminals              | 6 to 8          |
| 3/8-32 Mounting Bushing Nut       | 20 to 25        |

| AUXILIARY SWITCH RATING |   |         |        |
|-------------------------|---|---------|--------|
| 3.0 amps                | @ | 120 VAC | 50 VDC |

| APPROXIMATE WEIGHT PER POLE |          |
|-----------------------------|----------|
| 1.8 Ounces                  | 49 Grams |

## HOW TO ORDER

The ordering code for AP magnetic circuit protectors may be determined by following the steps in the decision tables shown here.

For example, the following is the code for a two pole AP, hook terminal, series unit, designed for operation in a DC circuit. It has a short time delay and a rating of 20 amperes. The coding given permits a descriptive part number, with limitations. In the illustrated double pole example (AP12-1-51-203), it is automatically assumed that both poles are identical. One great virtue of magnetic circuit protectors is their adaptability to complex circuits, thus variations from pole to pole become the rule rather than the exception. Descriptive drawings are recommended. In this event, factory assigned part numbers are utilized.

To determine the ordering number for your particular AP unit, simply follow the steps shown. You may use this number to place a order or as a reference for further questions you may have.

### Notes:

- A The UP has a wide glass terminal to meet UL and CSA creepage specifications. Except as completely non-standard there is no space for more than two terminals and the UP is therefore limited to only the single pole series circuit configuration (Third Decision Table – 1). Delays available in the UP are: 40, 50 and 60; 41, 51 and 61; 42, 52 and 62; 64, 65, 69, 71, 72 and 79.
- B Users should refer to the applicable drawings of MIL-PRF-39019. Configurations vary dependent upon the revision of MIL-PRF-39019. The 6-32 threaded mounted bushings, useful for added strength, are approved under this specification.  
  
To assure that proper parts are received, consult the factory for application assistance if there is any doubt about which version is correct for the application concerned.
- C Screw terminals are available and are equipped with standard terminal block. Space permits their use only in the series configuration (Third Decision Table ). Standard terminals are heavy copper hooks.
- D Screw terminals with SPDT auxiliary switch, available only with the series circuit, may have “R” soldering terminals, flattened and pierced, or “RC” soldering terminals which are cane hooks. Screw terminals (-7, -17, -117) are available with SPDT auxiliary switch “R” type only.
- E The nominal current values for 100% of rated current (see delay curves) are those listed. Other values can be readily supplied, in general, without delayed delivery. For values above or below the listed range, please consult an Airpax sales office or sales representative.
- F Consult factory for assigned part numbers.

Example:

**AP12 -1 -51-203-FM**

1 2 3 4 5 6

| 1 First Decision            |   |
|-----------------------------|---|
| Type                        |   |
| <b>AP</b>                   | Fully sealed magnetic circuit protector                               |
| <b>UP</b><br>(Note A)       | Underwriters' Laboratories recognized circuit supplementary protector |
| <b>AP - MIL</b><br>(Note B) | /1 through /6 QPL per MIL-PRF-39019                                   |

| 6 Optional   |  |
|--|--|
| FM Approved (Factory Mutual Research)  |  |
| Add <b>-FM</b> to part number to indicate FM approval. FM approval is available for Single Pole, SeriesTrip, UP type units only. TA = -40°C to +65°C |  |
| Units < 10A are rated CL 1, DIV 2, Group ABCD, T6  |  |
| Units > 10A are rated CL 1, DIV 2, Group ABCD, T4A   |  |

| 2 Second Decision (Note C) |                 |   |
|----------------------------|-----------------|---|
| Poles                      |                 |   |
| Hook Terminals             | Screw Terminals |   |
| <b>1</b>                   | <b>7</b>        | Single pole unit, mounted with 3/8 threaded bushing   |
| <b>12</b>                  | <b>17</b>       | Two pole unit, bushing plus (2) 6-32 threaded inserts |
| <b>112</b>                 | <b>117</b>      | Three pole unit, bushing plus (2) 6-32 threaded units |

| 4 Fourth Decision |   |
|-------------------|---|
| Hz and Delay      |   |
| <b>-40</b>        | 400Hz 150% instant trip*                            |
| <b>-41</b>        | 400Hz short time delay                              |
| <b>-42</b>        | 400Hz long time delay                               |
| <b>-49</b>        | 400Hz 135% instant trip*                            |
| <b>-50</b>        | DC 150% instant trip*                               |
| <b>-51</b>        | DC short time delay                                 |
| <b>-52</b>        | DC long time delay                                  |
| <b>-59</b>        | DC 125% instant trip*                               |
| <b>-60</b>        | 50/60Hz 150% instant trip*                          |
| <b>-61</b>        | 50/60Hz short time delay                            |
| <b>-62</b>        | 50/60Hz long time delay                             |
| <b>-64</b>        | 50/60Hz high pulse, short time delay (50/60Hz only) |
| <b>-65</b>        | 50/60Hz high pulse, long time delay (50/60Hz only)  |
| <b>-69</b>        | 50/60Hz 125% instant trip*                          |
| <b>-71</b>        | DC, 50/60Hz, 400Hz short time delay 135% trip       |
| <b>-72</b>        | DC, 50/60Hz, 400Hz long time delay 135% trip        |
| <b>-79</b>        | DC, 50/60Hz, 400Hz instant time delay 135% trip*    |

| 5 Fifth Decision (Note E) |         |
|---------------------------|---------|
| Nominal Amperage Rating   |         |
| Code                      | Amperes |
| <b>-051</b>               | .050    |
| <b>-101</b>               | .100    |
| <b>-201</b>               | .200    |
| <b>-251</b>               | .250    |
| <b>-401</b>               | .400    |
| <b>-501</b>               | .500    |
| <b>-601</b>               | .600    |
| <b>-751</b>               | .750    |
| <b>-102</b>               | 1.000   |
| <b>-1251</b>              | 1.250   |
| <b>-1751</b>              | 1.750   |
| <b>-202</b>               | 2.000   |
| <b>-252</b>               | 2.500   |
| <b>-302</b>               | 3.000   |
| <b>-502</b>               | 5.000   |
| <b>-702</b>               | 7.000   |
| <b>-752</b>               | 7.500   |
| <b>-802</b>               | 8.000   |
| <b>-103</b>               | 10.000  |
| <b>-123</b>               | 12.000  |
| <b>-153</b>               | 15.000  |
| <b>-173</b>               | 17.000  |
| <b>-203</b>               | 20.000  |

| 3 Third Decision        |   |
|-------------------------|---|
| Internal Configuration  |   |
| <b>-0</b>               | Switch Only (Omit 4th and 5th Decisions)                |
| <b>-1</b>               | Series  |
| <b>-1R</b><br>(Note D)  | Series with Auxiliary Switch with pierced pin terminals |
| <b>-1RC</b><br>(Note D) | Series with Auxiliary Switch with cane hook terminals   |
| <b>-3</b>               | Shunt   |
| <b>-4</b>               | Relay (5 amps max coil rating)                          |

Multi-pole units with mixed construction, poles numbered left to right when viewed from terminal end (Note F).

For addition of inertial delay, add an "F" to any delay number. Except 40, 50 & 60.

\*Instantaneous delays are not compatible with inrush enhancement options and are not recommended for general use.

See page 61 for maximum voltage ratings.

Note: Standard current ratings listed. For other ratings, please consult the factory.