

## Description

The AP9101C is a protection IC developed for lithium-ion/lithium polymer rechargeable battery with a high-precision voltage detection circuit.

The AP9101C provides a function to protect batteries by detecting overcharge voltage, overdischarge voltage, overcharge current, overdischarge current and other abnormalities and turning off the external MOSFET switch.

The AP9101C also has a built-in fixed time circuit (external capacitors are unnecessary); the protection circuitry can be comprised with fewer external components.

The AP9101C is available in standard packages of SOT25 and SOT26.

## Applications

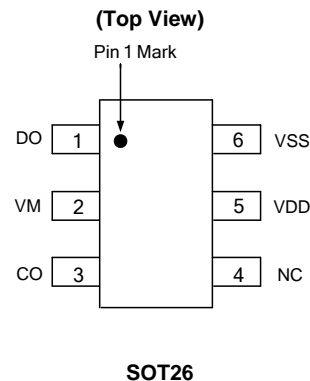
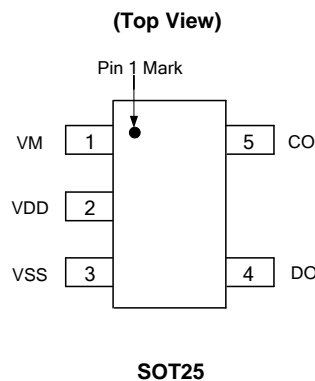
- Lithium-Ion Battery Packs
- Lithium Polymer Battery Packs

## Features

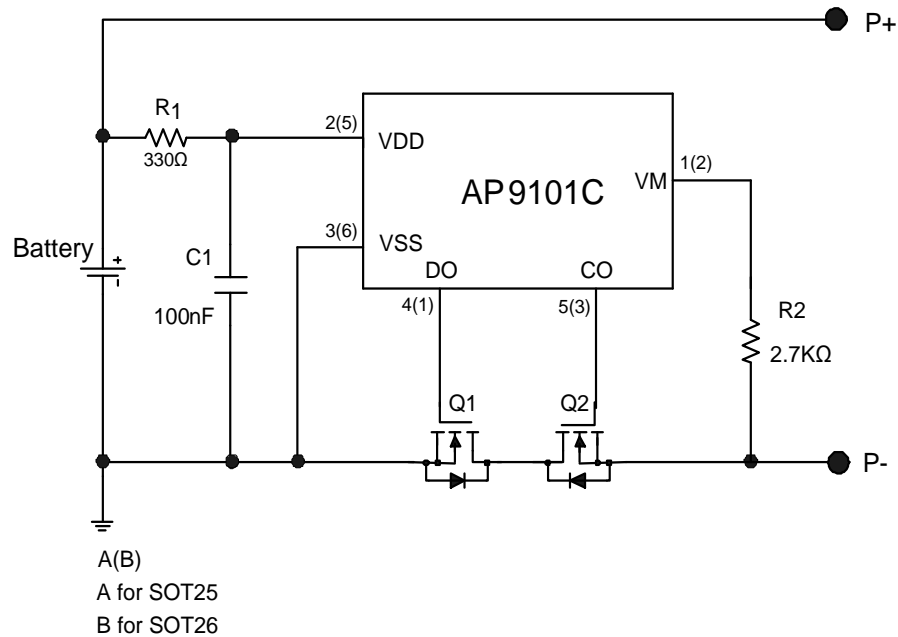
- Low Current Consumption (+25°C)
  - Operation Mode: 3.0µA (Typ)  $V_{DD} = 3.5V$
  - Power-Down Mode: 0.01µA (Typ)
- High-Accuracy Voltage Detection Circuit (+25°C)
  - Overcharge Detection Voltage: 3.5V to 4.5V (5mV Steps) Accuracy  $\pm 25mV$
  - Overcharge Hysteresis Voltage Range: 0.1V to 0.4V (50mV Steps) Accuracy  $\pm 50mV$
  - Overdischarge Detection Voltage: 2.0V to 3.4V (10mV Steps) Accuracy  $\pm 35mV$
  - Overdischarge Hysteresis Voltage Range: 0V to 0.7V (40mV Steps) Accuracy  $\pm 65mV$
  - Discharge Overcurrent Detection Voltage: 0.05V to 0.32V (10mV Steps) Accuracy  $\pm 15mV$
  - Short Current Detection Voltage: 0.45V to 0.7V (50mV Steps) Accuracy  $\pm 100mV$
  - Charge Overcurrent Detection Voltage: -0.2V to -0.05V (10mV Steps) Accuracy  $\pm 15mV$
  - Overcharger Detection Voltage: 8.0V (Fixed) Accuracy  $\pm 2V$
  - Overcharger Release Voltage: 7.3V (Fixed) Accuracy  $\pm 2V$
- Built-In Fixed Detection Delay Time (+25°C): Accuracy  $\pm 20\%$
- Power-Down Mode can be Selectable: Available/Unavailable
- 0V Battery Charge Function can be Selectable: Available/Unavailable
- Overcharge Protection Mode: Release
- High-Voltage CMOS Process: Up to 30V between VDD and VM Pins
- **Totally Lead-free & Fully RoHS Compliant (Notes 1 & 2)**
- **Halogen and Antimony Free. "Green" Device (Note 3)**

- Notes:
1. No purposely added lead. Fully EU Directive 2002/95/EC (RoHS), 2011/65/EU (RoHS 2) & 2015/863/EU (RoHS 3) compliant.
  2. See <https://www.diodes.com/quality/lead-free/> for more information about Diodes Incorporated's definitions of Halogen- and Antimony-free, "Green" and Lead-free.
  3. Halogen- and Antimony-free "Green" products are defined as those which contain <900ppm bromine, <900ppm chlorine (<1500ppm total Br + Cl) and <1000ppm antimony compounds.

## Pin Assignments



**Typical Applications Circuit** (Note 4)



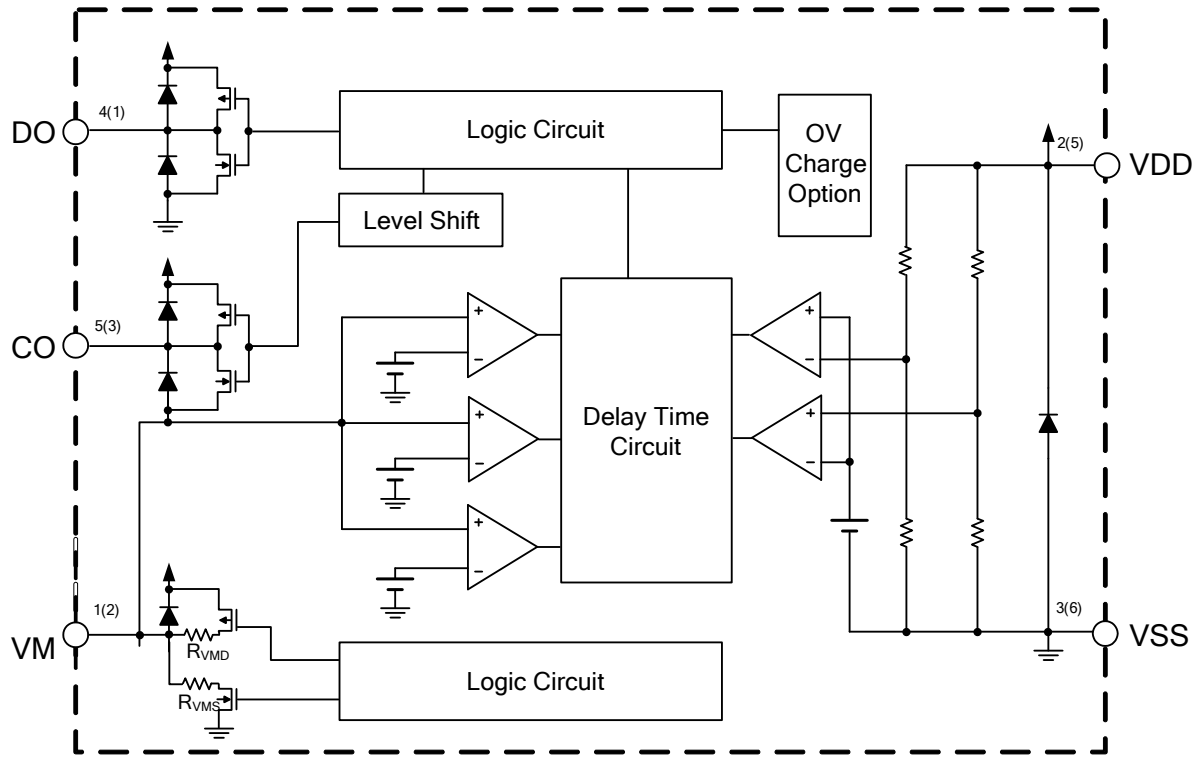
Note 4: R1 and C1 are used to stabilize the supply voltage of the AP9101C. The recommended range of R1 value is 330Ω to 470Ω and C1 value is 10nF to 1000nF, typical value is 100nF. R2 should be connected between P- to VM sense terminal to monitor the status of charger and the charge/discharge current. The R2 should be between 300Ω and 4kΩ, typical value is 2.7kΩ. R1 and R2 are also used as current limit resistors if the battery or charger is connected reversely. Polarity reversing may cause the power consumption of R1 and R2 to go over their power dissipation rating, therefore R1 and R2 values should be selected appropriately for the actual application. If R2 is more than 4kΩ resistor, CO may not cut off Q2 due to the voltage drop on R2.

For power-down mode, when first connecting AP9101C system board to the battery, it is necessary to use charger or to short P- to the battery negative polarity. Once the AP9101C is activated, the charger or connection can be removed, otherwise the battery cannot discharge current through the system board. The values selected should follow the recommended typical range mentioned above.

**Pin Descriptions**

Pin Number		Pin Name	Function
SOT25	SOT26		
1	2	VM	Charger Negative Input Pin
2	5	VDD	Positive Power Input Pin
3	6	VSS	Negative Power Input Pin
4	1	DO	FET Gate Control Pin for Discharge
5	3	CO	FET Gate Control Pin for Charge
—	4	NC	Not Connected

**Functional Block Diagram**



A(B)  
A for SOT25  
B for SOT26

## Absolute Maximum Ratings (Note 5)

Symbol	Parameter	Rating	Unit
V <sub>DS</sub>	Supply Voltage (Between VDD and VSS)	-0.3 to 12	V
V <sub>DM</sub>	Charger Input Voltage (Between VDD and VM)	-0.3 to 30	V
V <sub>CO</sub>	CO Pin Output Voltage	V <sub>M</sub> -0.3 to V <sub>DD</sub> +0.3	V
V <sub>DO</sub>	DO Pin Output Voltage	V <sub>SS</sub> -0.3 to V <sub>DD</sub> +0.3	V
T <sub>OPR</sub>	Operating Temperature Range	-40 to +85	°C
T <sub>J</sub>	Junction Temperature	+150	°C
T <sub>STG</sub>	Storage Temperature Range	-65 to +150	°C
T <sub>LEAD</sub>	Lead Temperature (Soldering, 10sec)	+300	°C
P <sub>D</sub>	Power Dissipation (+25°C)	250	mW
—	ESD (Machine Model)	200	V
—	ESD (Human Body Model)	2,000	V

Note: 5. Stresses greater than those listed under "Absolute Maximum Ratings" may cause permanent damage to the device. These are stress ratings only, and functional operation of the device at these or any other conditions beyond those indicated under "Recommended Operating Conditions" is not implied. Exposure to "Absolute Maximum Ratings" for extended periods may affect device reliability.

## Recommended Operating Conditions

Symbol	Parameter	Min	Max	Unit
V <sub>DS</sub>	Supply Voltage (Between VDD and VSS)	1.5	5.5	V
V <sub>DM</sub>	Charger Input Voltage (Between VDD and VM)	-0.3	5.5	V
T <sub>A</sub>	Operating Ambient Temperature	-40	+85	°C

## Electrical Characteristics

( $T_A = +25^\circ\text{C}$ ,  $V_{DD} = 3.5\text{V}$ ,  $V_{SS} = 0\text{V}$ ,  $R_1 = 330\Omega$ ,  $R_2 = 2.7\text{k}\Omega$ ,  $C_1 = 100\text{nF}$ , unless otherwise specified.)

Symbol	Parameter	Test Conditions	Min	Typ	Max	Unit	
$V_{CU}$	Overcharge Detection Voltage	$V_M = 0$	$V_{CU}-0.025$	$V_{CU}$	$V_{CU}+0.025$	V	
$V_{CL}$	Overcharge Release Voltage	$V_{CL} \neq V_{CU}$ , $V_M = 0$	$V_{CL}-0.050$	$V_{CL}$	$V_{CL}+0.050$	V	
		$V_{CL} = V_{CU}$	$V_{CL}-0.025$	$V_{CL}$	$V_{CL}+0.025$	V	
$V_{DL}$	Overdischarge Detection Voltage	$V_M = 0$	$V_{DL}-0.035$	$V_{DL}$	$V_{DL}+0.035$	V	
$V_{DU}$	Overdischarge Release Voltage	$V_{DU} \neq V_{DL}$ , $V_M = 0$	$V_{DU}-0.100$	$V_{DU}$	$V_{DU}+0.100$	V	
		$V_{DU} = V_{DL}$	$V_{DU}-0.035$	$V_{DU}$	$V_{DU}+0.035$	V	
$V_{DOC}$	Discharge Overcurrent Detection Voltage	—	$V_{DOC}-0.015$	$V_{DOC}$	$V_{DOC}+0.015$	V	
$V_{SHORT}$	Load Short-Circuiting Detection Voltage	—	$V_{SHORT}-0.10$	$V_{SHORT}$	$V_{SHORT}+0.10$	V	
$V_{COC}$	Charge Overcurrent Detection Voltage	—	$V_{COC}-0.015$	$V_{COC}$	$V_{COC}+0.015$	V	
$I_{CC}$	Current Consumption During Operation	$V_{DD} = 3.5\text{V}$ , $V_M = 0\text{V}$	1.5	3	4.5	$\mu\text{A}$	
$I_{STB}$	Current Consumption at Power-Down	$V_{DD} = 1.8\text{V}$ , VM Pin Floating	Power-Down Mode	—	—	0.1	$\mu\text{A}$
		Without Power-Down Mode (Auto-Wake-up)	—	—	5.5		
$R_{COH}$	CO Pin Resistance "H"	$V_{DD} = 3.5\text{V}$ , $V_{CO} = 3.0\text{V}$ , $V_M = 0\text{V}$	2	6	10	$\text{k}\Omega$	
$R_{COL}$	CO Pin Resistance "L"	$V_{DD} = 4.5\text{V}$ , $V_{CO} = 0.5\text{V}$ , $V_M = 0\text{V}$	2	4	10	$\text{k}\Omega$	
$R_{DOH}$	DO Pin Resistance "H"	$V_{DD} = 3.5\text{V}$ , $V_{DO} = 3.0\text{V}$ , $V_M = 0\text{V}$	2	5	10	$\text{k}\Omega$	
$R_{DOL}$	DO Pin Resistance "L"	$V_{DD} = 1.8\text{V}$ , $V_{DO} = 0.5\text{V}$ , $V_M = 0\text{V}$	2	5	10	$\text{k}\Omega$	
$R_{VMD}$	Resistance Between VM Pin and VDD Pin	$V_{DD} = 1.8\text{V}$ , $V_M = 0\text{V}$	150	300	500	$\text{k}\Omega$	
$R_{VMS}$	Resistance Between VM Pin and VSS Pin	$V_{DD} = 3.5\text{V}$ , $V_M = 1.0\text{V}$	10	30	50	$\text{k}\Omega$	
$V_{0CHA}$	0V Battery Charge Starting Charger Voltage	0V Battery Charging "Available"	1.2	—	—	V	
$V_{0INH}$	0V Battery Charge Inhibition Battery Voltage	0V Battery Charging "Unavailable"	—	—	0.45	V	
$V_{OVCHG}$	Overvoltage Charger Detection Voltage	$V_{DD} = 3.5\text{V}$	6.0	8.0	10.0	V	
$V_{OVCHGR}$	Overvoltage Charger Release Voltage	$V_{DD} = 3.5\text{V}$	5.3	7.3	9.3	V	
$t_{CU}$	Overcharge Detection Delay Time	—	$t_{CU} \times 0.8$	$t_{CU}$	$t_{CU} \times 1.2$	ms	
$t_{DL}$	Overdischarge Detection Delay Time	—	$t_{DL} \times 0.8$	$t_{DL}$	$t_{DL} \times 1.2$	ms	
$t_{DOC}$	Discharge Overcurrent Detection Delay Time	—	$t_{DOC} \times 0.8$	$t_{DOC}$	$t_{DOC} \times 1.2$	ms	
$t_{SHORT}$	Load Short-Circuiting Detection Delay Time	—	$t_{SHORT} \times 0.8$	$t_{SHORT}$	$t_{SHORT} \times 1.2$	$\mu\text{s}$	
$t_{COC}$	Charge Overcurrent Detection Delay Time	—	$t_{COC} \times 0.8$	$t_{COC}$	$t_{COC} \times 1.2$	ms	

**Electrical Characteristics** (Cont.)

 (T<sub>A</sub> = -40°C to +85°C, V<sub>DD</sub> = 3.5V, V<sub>SS</sub> = 0V, R<sub>1</sub> = 330Ω, R<sub>2</sub> = 2.7kΩ, C<sub>1</sub> = 100nF, unless otherwise specified.)

Symbol	Parameter	Test Conditions	Min	Typ	Max	Unit	
V <sub>CU</sub>	Overcharge Detection Voltage	V <sub>M</sub> = 0	V <sub>CU</sub> -0.060	V <sub>CU</sub>	V <sub>CU</sub> +0.040	V	
V <sub>CL</sub>	Overcharge Release Voltage	V <sub>CL</sub> ≠ V <sub>CU</sub> , V <sub>M</sub> = 0	V <sub>CL</sub> -0.080	V <sub>CL</sub>	V <sub>CL</sub> +0.065	V	
		V <sub>CL</sub> = V <sub>CU</sub>	V <sub>CL</sub> -0.060	V <sub>CL</sub>	V <sub>CL</sub> +0.040	V	
V <sub>DL</sub>	Overdischarge Detection Voltage	V <sub>M</sub> = 0	V <sub>DL</sub> -0.110	V <sub>DL</sub>	V <sub>DL</sub> +0.130	V	
V <sub>DU</sub>	Overdischarge Release Voltage	V <sub>DU</sub> ≠ V <sub>DL</sub> , V <sub>M</sub> = 0	V <sub>DU</sub> -0.150	V <sub>DU</sub>	V <sub>DU</sub> +0.190	V	
		V <sub>DU</sub> = V <sub>DL</sub>	V <sub>DU</sub> -0.110	V <sub>DU</sub>	V <sub>DU</sub> +0.130	V	
V <sub>DOC</sub>	Discharge Overcurrent Detection Voltage	—	V <sub>DOC</sub> -0.021	V <sub>DOC</sub>	V <sub>DOC</sub> +0.024	V	
V <sub>SHORT</sub>	Load Short-Circuiting Detection Voltage	—	V <sub>SHORT</sub> -0.34	V <sub>SHORT</sub>	V <sub>SHORT</sub> +0.34	V	
V <sub>COC</sub>	Charge Overcurrent Detection Voltage	—	V <sub>COC</sub> -0.040	V <sub>COC</sub>	V <sub>COC</sub> +0.040	V	
I <sub>CC</sub>	Current Consumption during Operation	V <sub>DD</sub> = 3.5V, V <sub>M</sub> = 0V	1.0	3.0	7.0	μA	
I <sub>STB</sub>	Current Consumption at Power-Down	V <sub>DD</sub> = 1.8V, VM Pin Floating	Power-Down Mode	—	—	1.0	μA
			Without Power-Down Mode (Auto-Wake-up)	—	—	8	
R <sub>COH</sub>	CO Pin Resistance "H"	V <sub>DD</sub> = 3.5V, V <sub>CO</sub> = 3.0V, V <sub>M</sub> = 0V	1.2	6	15	kΩ	
R <sub>COL</sub>	CO Pin Resistance "L"	V <sub>DD</sub> = 4.5V, V <sub>CO</sub> = 0.5V, V <sub>M</sub> = 0V	1.2	4	15	kΩ	
R <sub>DOH</sub>	DO Pin Resistance "H"	V <sub>DD</sub> = 3.5V, V <sub>DO</sub> = 3.0V, V <sub>M</sub> = 0V	1.2	5	15	kΩ	
R <sub>DOL</sub>	DO Pin Resistance "L"	V <sub>DD</sub> = 1.8V, V <sub>DO</sub> = 0.5V, V <sub>M</sub> = 0V	1.2	5	15	kΩ	
R <sub>VMD</sub>	Resistance between VM Pin and VDD Pin	V <sub>DD</sub> = 1.8V, V <sub>M</sub> = 0V	100	300	650	kΩ	
R <sub>VMS</sub>	Resistance between VM Pin and VSS Pin	V <sub>DD</sub> = 3.5V, V <sub>M</sub> = 1.0V	5	30	65	kΩ	
V <sub>0CHA</sub>	0V Battery Charge Starting Charger Voltage	0V Battery Charging "Available"	1.2	—	—	V	
V <sub>0INH</sub>	0V Battery Charge Inhibition Battery Voltage	0V Battery Charging "Unavailable"	—	—	0.3	V	
V <sub>OVCHG</sub>	Overvoltage Charger Detection Voltage	V <sub>DD</sub> = 3.5V	5.5	8.0	10.5	V	
V <sub>OVCHGR</sub>	Overvoltage Charger Release Voltage	V <sub>DD</sub> = 3.5V	5.0	7.3	9.5	V	
t <sub>CU</sub>	Overcharge Detection Delay Time	—	t <sub>CU</sub> ×0.6	t <sub>CU</sub>	t <sub>CU</sub> ×1.4	ms	
t <sub>DL</sub>	Overdischarge Detection Delay Time	—	t <sub>DL</sub> ×0.6	t <sub>DL</sub>	t <sub>DL</sub> ×1.4	ms	
t <sub>DOC</sub>	Discharge Overcurrent Detection Delay Time	—	t <sub>DOC</sub> ×0.6	t <sub>DOC</sub>	t <sub>DOC</sub> ×1.4	ms	
t <sub>SHORT</sub>	Load Short-Circuiting Detection Delay Time	—	t <sub>SHORT</sub> ×0.6	t <sub>SHORT</sub>	t <sub>SHORT</sub> ×1.4	μs	
t <sub>COC</sub>	Charge Overcurrent Detection Delay Time	—	t <sub>COC</sub> ×0.6	t <sub>COC</sub>	t <sub>COC</sub> ×1.4	ms	

## Operation Description

### Operation Mode

#### 1. Normal Status

The AP9101C monitors the battery voltage between the VDD Pin and VSS Pin as well as the voltage difference between the VM Pin and VSS Pin to control battery charging and discharging by the CO and DO Pins. When the battery voltage is between overdischarge detection voltage ( $V_{DL}$ ) and overcharge detection voltage ( $V_{CU}$ )—as well as the VM Pin voltage being between the charge overcurrent detection voltage ( $V_{COC}$ ) and discharge overcurrent detection voltage ( $V_{DOC}$ )—the CO and DO Pin of the AP9101C will output high level and turn on charge and discharge MOSFETs. In these conditions, the battery can charge and discharge freely. Also,  $R_{VMD}$  and  $R_{VMS}$  do not connect to VDD and VSS Pins in this status.

#### 2. Overcharge Status

If the battery voltage is more than  $V_{CU}$  during charging status for the overcharge detection delay time ( $t_{CU}$ ) or longer, the AP9101C turns off the charge MOSFET by setting low level to the CO Pin to stop charging.  $R_{VMD}$  and  $R_{VMS}$  are not connected in overcharge status.

When the VM Pin voltage is lower than  $V_{DOC}$  and battery voltage falls below  $V_{CL}$ , the AP9101C will release from overcharge status.

When the VM Pin voltage is equal to or more than  $V_{DOC}$  and battery voltage falls below  $V_{CU}$ , the AP9101C will release from overcharge status.

#### 3. Overdischarge Status

If the battery voltage is less than  $V_{DL}$  during discharging status for the overdischarge detection delay time ( $t_{DL}$ ) or longer, the AP9101C turns off the discharge MOSFET by setting low level to the DO Pin to stop discharging. In overdischarge status,  $R_{VMD}$  is connected to  $V_{DD}$ , and the VM Pin voltage is pulled up to  $V_{DD}$  by  $R_{VMD}$ , but  $R_{VMS}$  is not connected. For standby version, the AP9101C recovers normal status from overdischarge status only by charging the battery through the charger.

When the VM Pin voltage to the VSS Pin voltage is less than typical -0.7V and the battery voltage rises over  $V_{DL}$ , the AP9101C will release from overdischarge status. If the VM Pin voltage to the VSS Pin voltage is higher than typical -0.7V, the AP9101C will release from overdischarge status until the battery voltage rises over  $V_{DU}$ .

For auto-wake-up version AP9101CA, the device recovers to normal status from overdischarge status if either of these two conditions are satisfied.

If charger is connected: the AP9101CA overdischarge status is released in the same way as described above in AP9101C Overdischarge Status section.

If no charger is connected: 1) the battery voltage reaches the overdischarge release voltage ( $V_{DU}$ ) or higher;  
2) maintains continuous time more than overdischarge release delay time  $t_{DLR}$ .

#### 4. Discharge Overcurrent and Short Current Status

When the battery is in discharge overcurrent status, if the voltage of the VM Pin to VSS Pin is equal or more than  $V_{DOC}$  to  $V_{SHORT}$ , for the overdischarge current detection delay time ( $t_{DOC}$ ) or longer, the AP9101C turns off the discharge MOSFET by setting low level to the DO pin to stop discharging.

When the battery is in short current status, if the voltage of the VM Pin to VSS Pin is equal to or more than  $V_{SHORT}$ , for the short current detection delay time or longer, the AP9101C turns off the discharge MOSFET by setting low level to the DO pin to stop discharging.

In discharge overcurrent or short current status,  $R_{VMS}$  is connected to  $V_{SS}$  but  $R_{VMD}$  is not connected. The voltage of VM Pin is almost equal to  $V_{DD}$  as long as the load is connected. When the load is disconnected, the voltage of VM Pin will become almost equal to  $V_{SS}$  (due to  $R_{VMS}$  being connected) then the AP9101C will release from discharge overcurrent or short current status.

#### 5. Charge Overcurrent Status

When the battery is in charge overcurrent status, if the voltage of the VM Pin to VSS Pin is equal to or less than  $V_{COC}$ , for the charge overcurrent detection delay time ( $t_{COC}$ ) or longer, the AP9101C turns off the charge MOSFET by setting low level to the CO pin to stop charging.

---

**Operation Description** (Cont.)

---

**6. 0V Battery Charging Function (Option)**

This function is available as an option and can be factory set internally. AP9101C has this function built in.

0V charging function permits charger to recharge the battery whose voltage is 0V due to self-discharge. If 0V charging function is not present, the device will prevent the charger to recharge the battery whose voltage is 0V due to self-discharge. (If a device without 0V charging function is needed, please contact Diodes Incorporated's sales team).

**7. Overvoltage Charger Detection Circuit**

This function is used to monitor the charger voltage between the VDD Pin and VM Pin, and when this voltage exceeds overvoltage charger detection voltage (8.0V Typ.), the AP9101C will set the CO Pin low level to turn off charge MOSFET. When this voltage drops below overvoltage charger release voltage (7.3V Typ.), the CO Pin will be set to high level and turn on charge MOSFET. There are no delay times set for detection and release.

**8. Power-Down Mode or Auto-Wake-Up Function (Option)**

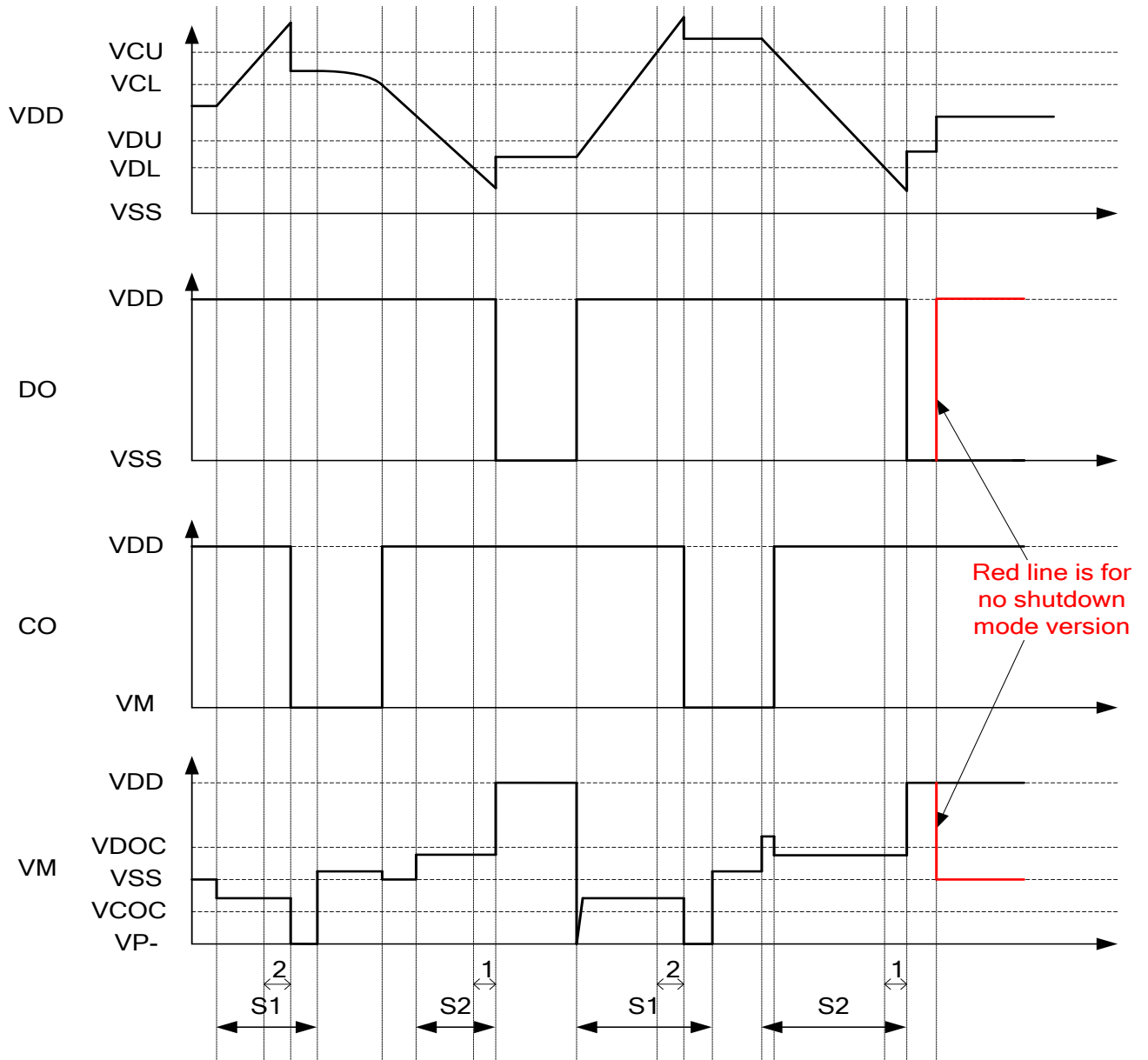
In the device with power-down function, during power-down mode, the device enters the overdischarge status. The IC enters sleep mode and the current consumption becomes very low, typically 0.1 $\mu$ A. To release from power-down status to normal status, charger connection is required.

In the device with auto-wake-up mode, the IC remains active in the overdischarge state. The IC is released into normal state by the operation that increases the battery voltage more than the overdischarge release voltage.



**Time Chart**

(1) Overcharge and Overdischarge Detection

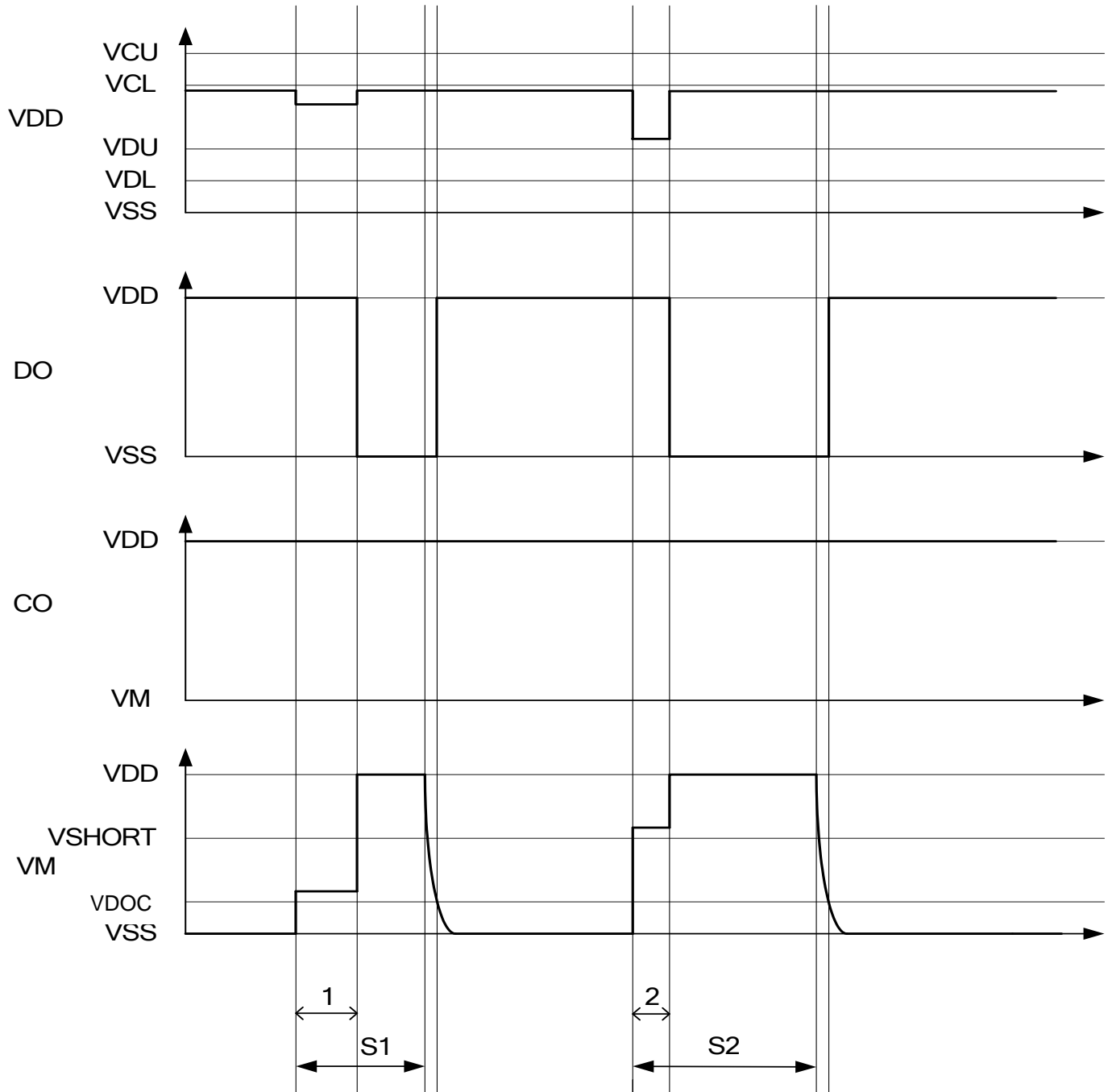


1:  $t_{DL}$   
2:  $t_{CU}$

S1: Charger connection  
S2: Load connection

**Time Chart** (Cont.)

(2) Discharge Overcurrent Detection

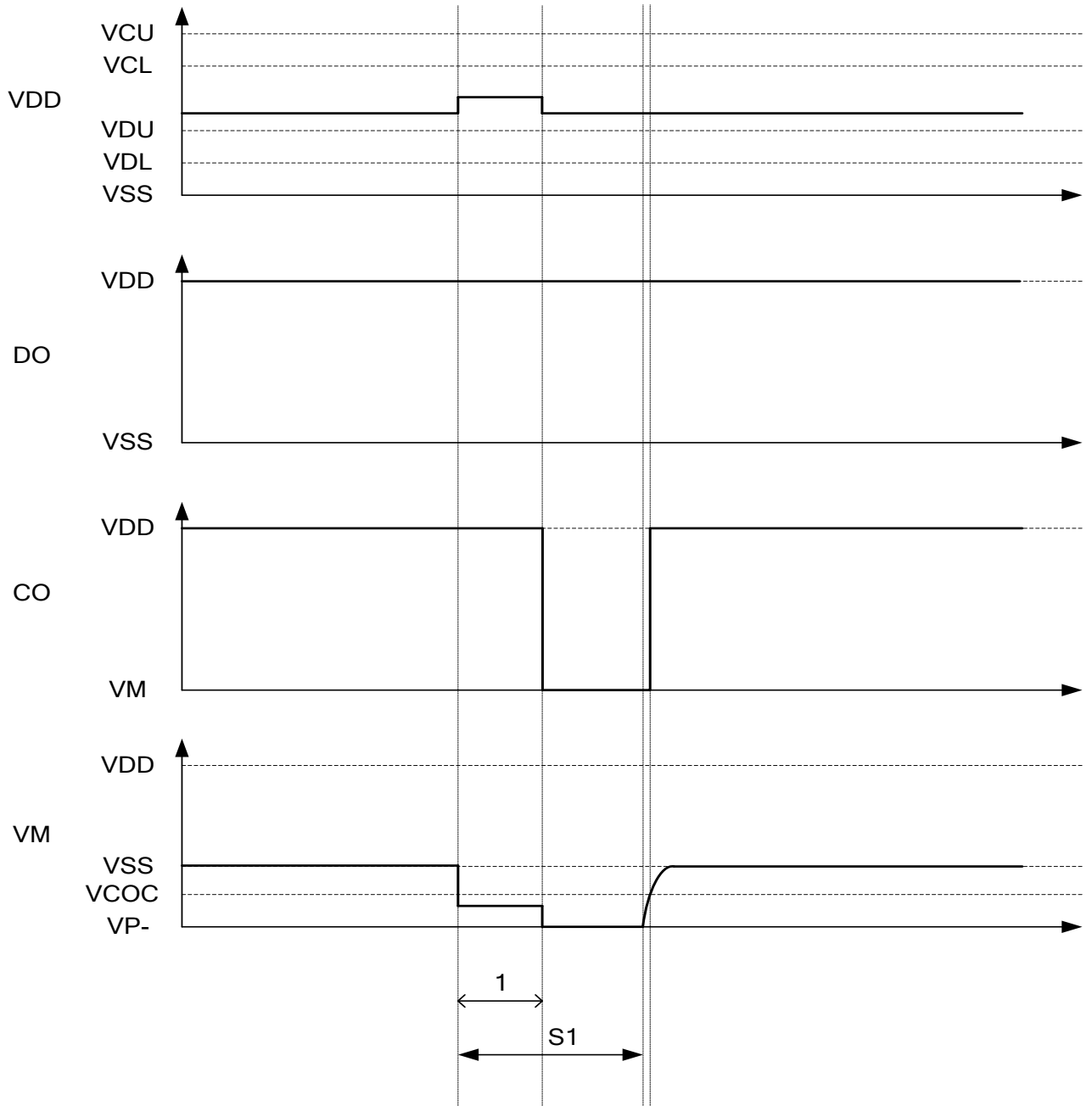


1:  $t_{DOC}$   
2:  $t_{SHORT}$

S1: Connect over current load  
S2: Connect short current load

**Time Chart** (Cont.)

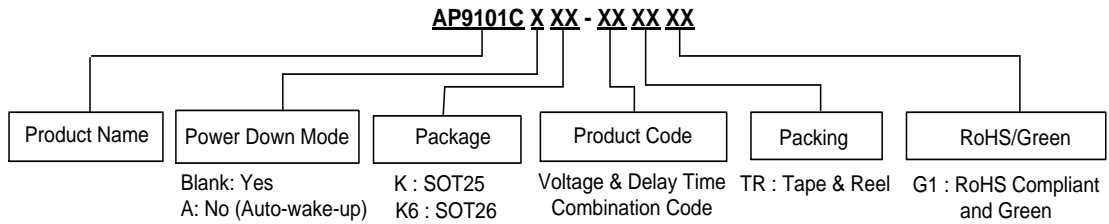
(3) Charge Overcurrent Detection



1:  $t_{COC}$

S1: Connect over current charger

## Ordering Information



### Voltage and Delay Time Combination

Part Number	Overcharge Detection Voltage V <sub>CU</sub>	Overcharge Release Voltage V <sub>CL</sub>	Over-Discharge Detection Voltage V <sub>DL</sub>	Over-Discharge Release Voltage V <sub>DU</sub>	Discharge Overcurrent Detection Voltage V <sub>DOC</sub>	Load Short Detection Voltage V <sub>SHORT</sub>	Charge Overcurrent Detection Voltage V <sub>COC</sub>	Over Voltage Charger Detection Voltage V <sub>OVCHG</sub>	Over Voltage Charger Release Voltage V <sub>OVCHGR</sub>	Power-Down Function	Overcharge Protection Mode	Delay Time	0V Battery Charge Function
AP9101Cxxx-AATR1	4.375V	4.175V	2.500V	2.900V	0.150V	0.700V	-0.150V	8.0V	7.3V	Selectable	Auto Release	Option 1	Permission
AP9101Cxxx-ABTR1	4.425V	4.225V	2.500V	2.900V	0.150V	0.700V	-0.150V	8.0V	7.3V	Selectable	Auto Release	Option 1	Permission
AP9101Cxxx-ACTR1	4.375V	4.175V	2.500V	2.900V	0.095V	0.700V	-0.095V	8.0V	7.3V	Selectable	Auto Release	Option 1	Permission
AP9101Cxxx-ADTR1	4.375V	4.175V	2.500V	2.900V	0.120V	0.700V	-0.120V	8.0V	7.3V	Selectable	Auto Release	Option 1	Permission
AP9101Cxxx-AETR1	4.200V	4.100V	2.500V	3.000V	0.300V	0.550V	-0.100V	8.0V	7.3V	Selectable	Auto Release	Option 1	Permission
AP9101Cxxx-AFTR1	4.375V	4.175V	2.500V	2.900V	0.180V	0.700V	-0.180V	8.0V	7.3V	Selectable	Auto Release	Option 1	Permission
AP9101Cxxx-AGTR1	4.375V	4.175V	2.500V	2.900V	0.075V	0.700V	-0.075V	8.0V	7.3V	Selectable	Auto Release	Option 1	Permission
AP9101Cxxx-AHTR1	4.425V	4.225V	2.500V	2.900V	0.075V	0.700V	-0.075V	8.0V	7.3V	Selectable	Auto Release	Option 1	Permission
AP9101Cxxx-AITR1	4.500V	4.300V	2.400V	2.800V	0.150V	0.700V	-0.075V	8.0V	7.3V	Selectable	Auto Release	Option 1	Permission
AP9101Cxxx-AJTR1	4.375V	4.175V	2.400V	2.800V	0.125V	0.700V	-0.125V	8.0V	7.3V	Selectable	Auto Release	Option 1	Permission
AP9101Cxxx-AKTR1	4.250V	4.050V	2.400V	3.000V	0.150V	0.700V	-0.150V	8.0V	7.3V	Selectable	Auto Release	Option 1	Permission
AP9101Cxxx-ALTR1	4.275V	4.175V	2.300V	2.400V	0.180V	0.700V	-0.180V	8.0V	7.3V	Selectable	Auto Release	Option 1	Permission
AP9101Cxxx-AMTR1	4.375V	4.175V	2.300V	2.400V	0.180V	0.700V	-0.180V	8.0V	7.3V	Selectable	Auto Release	Option 1	Permission
AP9101Cxxx-ANTR1	4.225V	4.025V	3.200V	3.400V	0.060V	0.450V	-0.060V	8.0V	7.3V	Selectable	Auto Release	Option 1	Permission
AP9101Cxxx-AOTR1	4.425V	4.225V	2.500V	2.900V	0.064V	0.450V	-0.073V	8.0V	7.3V	Selectable	Auto Release	Option 1	Permission
AP9101Cxxx-ASTR1	3.800V	3.700V	2.300V	2.400V	0.180V	0.700V	-0.180V	8.0V	7.3V	Selectable	Auto Release	Option 1	Permission
AP9101Cxxx-ATTR1	4.400V	4.200V	2.800V	3.000V	0.150V	0.700V	-0.200V	8.0V	7.3V	Selectable	Auto Release	Option 1	Permission
AP9101Cxxx-AUTR1	4.300V	4.100V	2.500V	2.900V	0.100V	0.700V	-0.100V	8.0V	7.3V	Selectable	Auto Release	Option 1	Permission
AP9101Cxxx-AXTR1	4.280V	4.080V	2.800V	2.800V	0.100V	0.500V	-0.100V	8.0V	7.3V	Selectable	Auto Release	Option 1	Permission

### Ordering Information (Cont.)

Part Number	Overcharge Detection Voltage V <sub>CU</sub>	Overcharge Release Voltage V <sub>CL</sub>	Over-Discharge Detection Voltage V <sub>DL</sub>	Over-Discharge Release Voltage V <sub>DU</sub>	Discharge Overcurrent Detection Voltage V <sub>DOC</sub>	Load Short Detection Voltage V <sub>SHORT</sub>	Charge Overcurrent Detection Voltage V <sub>COC</sub>	Over Voltage Charger Detection Voltage V <sub>OVCHG</sub>	Over Voltage Charger Release Voltage V <sub>OVCHGR</sub>	Power-Down Function	Overcharge Protection Mode	Delay Time	0V Battery Charge Function
AP9101Cxxx -AYTRG1	4.275V	4.075V	2.800V	2.900V	0.150V	0.500V	-0.100V	8.0V	7.3V	Selectable	Auto Release	Option 1	Prohibition
AP9101Cxxx -AZTRG1	4.275V	4.075V	2.500V	2.900V	0.150V	0.500V	-0.100V	8.0V	7.3V	Selectable	Auto Release	Option 1	Prohibition
AP9101Cxxx -BATRG1	4.475V	4.275V	2.500V	2.900V	0.150V	0.500V	-0.150V	8.0V	7.3V	Selectable	Auto Release	Option 1	Permission
AP9101Cxxx -BBTRG1	4.475V	4.275V	2.500V	2.900V	0.200V	0.500V	-0.200V	8.0V	7.3V	Selectable	Auto Release	Option 1	Permission
AP9101Cxxx -BCTRG1	4.465V	4.265V	2.100V	2.100V	0.150V	0.500V	-0.100V	8.0V	7.3V	Selectable	Auto Release	Option 1	Permission
AP9101Cxxx -BDTRG1	4.425V	4.225V	2.500V	2.500V	0.160V	0.500V	-0.100V	8.0V	7.3V	Selectable	Auto Release	Option 1	Permission
AP9101Cxxx -BETRG1	4.425V	4.225V	2.500V	2.500V	0.160V	0.500V	-0.160V	8.0V	7.3V	Selectable	Auto Release	Option 1	Permission
AP9101Cxxx -BFTRG1	4.425V	4.225V	2.500V	2.800V	0.160V	0.500V	-0.150V	8.0V	7.3V	Selectable	Auto Release	Option 1	Permission
AP9101Cxxx -BGTRG1	4.425V	4.225V	2.500V	2.800V	0.200V	0.500V	-0.150V	8.0V	7.3V	Selectable	Auto Release	Option 1	Permission
AP9101Cxxx -BHTRG1	4.425V	4.225V	2.500V	2.900V	0.200V	0.500V	-0.200V	8.0V	7.3V	Selectable	Auto Release	Option 1	Permission
AP9101Cxxx -BITRG1	4.425V	4.225V	2.500V	2.900V	0.130V	0.500V	-0.130V	8.0V	7.3V	Selectable	Auto Release	Option 1	Permission
AP9101Cxxx -BJTRG1	4.400V	4.300V	3.000V	3.200V	0.250V	0.600V	-0.200V	8.0V	7.3V	Selectable	Auto Release	Option 1	Permission
AP9101Cxxx -BKTRG1	4.400V	4.200V	2.800V	3.000V	0.150V	0.600V	-0.200V	8.0V	7.3V	Selectable	Auto Release	Option 1	Prohibition
AP9101Cxxx -BLTRG1	4.380V	4.280V	2.600V	2.800V	0.150V	0.600V	-0.175V	8.0V	7.3V	Selectable	Auto Release	Option 1	Permission
AP9101Cxxx -BMTRG1	4.375V	4.175V	2.300V	2.400V	0.150V	0.600V	-0.150V	8.0V	7.3V	Selectable	Auto Release	Option 1	Permission
AP9101Cxxx -BNTRG1	4.325V	4.075V	2.500V	2.900V	0.150V	0.600V	-0.100V	8.0V	7.3V	Selectable	Auto Release	Option 1	Prohibition
AP9101Cxxx -BOTRG1	4.325V	4.075V	2.500V	2.900V	0.150V	0.500V	-0.150V	8.0V	7.3V	Selectable	Auto Release	Option 1	Prohibition
AP9101Cxxx -BPTRG1	4.325V	4.125V	2.500V	2.800V	0.150V	0.600V	-0.100V	8.0V	7.3V	Selectable	Auto Release	Option 1	Permission
AP9101Cxxx -BQTRG1	4.300V	4.100V	2.300V	2.300V	0.250V	0.600V	-0.100V	8.0V	7.3V	Selectable	Auto Release	Option 1	Permission
AP9101Cxxx -BRTRG1	4.280V	4.080V	3.000V	3.300V	0.080V	0.500V	-0.080V	8.0V	7.3V	Selectable	Auto Release	Option 1	Permission
AP9101Cxxx -BSTRG1	4.280V	4.080V	3.000V	3.300V	0.080V	0.500V	-0.100V	8.0V	7.3V	Selectable	Auto Release	Option 1	Permission
AP9101Cxxx -BTTRG1	4.280V	4.080V	2.300V	2.300V	0.160V	0.500V	-0.100V	8.0V	7.3V	Selectable	Auto Release	Option 1	Permission
AP9101Cxxx -BUTRG1	4.280V	4.080V	2.300V	2.300V	0.125V	0.600V	-0.100V	8.0V	7.3V	Selectable	Auto Release	Option 1	Permission

## Ordering Information (Cont.)

Part Number	Overcharge Detection Voltage V <sub>CU</sub>	Overcharge Release Voltage V <sub>CL</sub>	Over-Discharge Detection Voltage V <sub>DL</sub>	Over-Discharge Release Voltage V <sub>DU</sub>	Discharge Overcurrent Detection Voltage V <sub>DOC</sub>	Load Short Detection Voltage V <sub>SHORT</sub>	Charge Overcurrent Detection Voltage V <sub>COC</sub>	Over Voltage Charger Detection Voltage V <sub>OVCHG</sub>	Over Voltage Charger Release Voltage V <sub>OVCHGR</sub>	Power-Down Function	Overcharge Protection Mode	Delay Time	0V Battery Charge Function
AP9101Cxxx-BVTRG1	4.280V	4.080V	2.800V	3.000V	0.100V	0.500V	-0.100V	8.0V	7.3V	Selectable	Auto Release	Option 1	Permission
AP9101Cxxx-BWTRG1	4.280V	4.180V	3.000V	3.000V	0.180V	0.600V	-0.150V	8.0V	7.3V	Selectable	Auto Release	Option 1	Permission
AP9101Cxxx-BXTRG1	4.280V	4.180V	2.800V	2.800V	0.050V	0.600V	-0.050V	8.0V	7.3V	Selectable	Auto Release	Option 1	Permission
AP9101Cxxx-BYTRG1	4.280V	4.180V	2.800V	2.800V	0.250V	0.600V	-0.100V	8.0V	7.3V	Selectable	Auto Release	Option 1	Permission
AP9101Cxxx-BZTRG1	4.280V	4.130V	2.800V	3.100V	0.100V	0.500V	-0.100V	8.0V	7.3V	Selectable	Auto Release	Option 1	Permission
AP9101Cxxx-CATRG1	4.275V	4.175V	2.300V	2.800V	0.250V	0.600V	-0.200V	8.0V	7.3V	Selectable	Auto Release	Option 1	Permission
AP9101Cxxx-CBTRG1	4.275V	4.175V	2.300V	2.400V	0.200V	0.500V	-0.200V	8.0V	7.3V	Selectable	Auto Release	Option 1	Permission
AP9101Cxxx-CCTRG1	4.275V	4.075V	2.500V	2.900V	0.150V	0.500V	-0.150V	8.0V	7.3V	Selectable	Auto Release	Option 1	Prohibition
AP9101Cxxx-CDTRG1	4.275V	4.075V	2.300V	2.300V	0.150V	0.600V	-0.100V	8.0V	7.3V	Selectable	Auto Release	Option 1	Permission
AP9101Cxxx-CETRG1	4.275V	4.175V	2.300V	2.400V	0.100V	0.600V	-0.100V	8.0V	7.3V	Selectable	Auto Release	Option 1	Permission
AP9101Cxxx-CFTRG1	4.275V	4.075V	2.800V	2.800V	0.150V	0.600V	-0.100V	8.0V	7.3V	Selectable	Auto Release	Option 1	Permission
AP9101Cxxx-CGTRG1	4.275V	4.075V	2.800V	3.000V	0.150V	0.600V	-0.100V	8.0V	7.3V	Selectable	Auto Release	Option 1	Permission
AP9101Cxxx-CHTRG1	4.250V	4.150V	2.500V	2.700V	0.250V	0.600V	-0.200V	8.0V	7.3V	Selectable	Auto Release	Option 1	Permission
AP9101Cxxx-CITRG1	4.250V	4.150V	2.700V	3.000V	0.250V	0.600V	-0.200V	8.0V	7.3V	Selectable	Auto Release	Option 1	Permission
AP9101Cxxx-CJTRG1	4.250V	4.050V	2.500V	2.800V	0.200V	0.600V	-0.100V	8.0V	7.3V	Selectable	Auto Release	Option 1	Permission
AP9101Cxxx-CKTRG1	4.250V	4.150V	2.800V	3.000V	0.150V	0.600V	-0.100V	8.0V	7.3V	Selectable	Auto Release	Option 1	Permission
AP9101Cxxx-CLTRG1	4.250V	4.150V	2.500V	3.000V	0.150V	0.600V	-0.100V	8.0V	7.3V	Selectable	Auto Release	Option 1	Permission
AP9101Cxxx-CMTRG1	4.200V	4.100V	2.800V	3.000V	0.150V	0.550V	-0.150V	8.0V	7.3V	Selectable	Auto Release	Option 1	Prohibition
AP9101Cxxx-CNTRG1	4.200V	4.100V	2.500V	2.500V	0.150V	0.600V	-0.100V	8.0V	7.3V	Selectable	Auto Release	Option 1	Permission
AP9101Cxxx-COTRG1	4.190V	4.090V	2.700V	3.000V	0.100V	0.600V	-0.050V	8.0V	7.3V	Selectable	Auto Release	Option 1	Prohibition
AP9101Cxxx-CPTRG1	3.650V	3.450V	2.100V	2.300V	0.150V	0.550V	-0.150V	8.0V	7.3V	Selectable	Auto Release	Option 1	Permission
AP9101Cxxx-CQTRG1	4.250V	4.050V	2.800V	3.000V	0.150V	0.500V	-0.100V	8.0V	7.3V	Selectable	Auto Release	Option 1	Prohibition
AP9101Cxxx-DUTRG1	4.280V	4.080V	2.300V	2.300V	0.125V	0.600V	-0.100V	8.0V	7.3V	Selectable	Auto Release	Option 1	Prohibition

## Ordering Information (Cont.)

### Delay Time Option Overview

Delay Time Option	Overcharge Detection Delay Time ( $t_{CU}$ )	Overdischarge Detection Delay Time ( $t_{DL}$ )	Discharge Overcurrent Detection Delay Time ( $t_{DOC}$ )	Charge Overcurrent Detection Delay Time ( $t_{COC}$ )	Load Short Circuiting Detection Delay Time ( $t_{SHORT}$ )
1	1,000ms	115ms	10ms	10ms	320 $\mu$ s
2	125ms	32ms	8ms	8ms	160 $\mu$ s
3	1,000ms	20ms	12ms	10ms	320 $\mu$ s
4	1,000ms	42ms	10ms	10ms	320 $\mu$ s
5	1,000ms	115ms	10ms	10ms	160 $\mu$ s

**Ordering Information** (Cont.) (Note 6)

Product Name	Package	Part Number	Marking ID	Packing
AP9101C	SOT25	AP9101CK-AATRG1	GQA	3000/Tape & Reel
		AP9101CK-ABTRG1	G6U	3000/Tape & Reel
		AP9101CK-ACTRG1	GQJ	3000/Tape & Reel
		AP9101CK-ADTRG1	GQK	3000/Tape & Reel
		AP9101CK-AETRG1	GQD	3000/Tape & Reel
		AP9101CK-AFTRG1	GQL	3000/Tape & Reel
		AP9101CK-AGTRG1	GQM	3000/Tape & Reel
		AP9101CK-AHTRG1	GQN	3000/Tape & Reel
		AP9101CK-AITRG1	GQP	3000/Tape & Reel
		AP9101CK-AJTRG1	GQQ	3000/Tape & Reel
		AP9101CK-AKTRG1	GQG	3000/Tape & Reel
		AP9101CK-ALTRG1	GQR	3000/Tape & Reel
		AP9101CK-AMTRG1	GQS	3000/Tape & Reel
		AP9101CK-ANTRG1	GQT	3000/Tape & Reel
		AP9101CK-AOTRG1	GRT	3000/Tape & Reel
		AP9101CK-ASTRG1	GQV	3000/Tape & Reel
		AP9101CK-ATTRG1	GUZ	3000/Tape & Reel
		AP9101CK-AUTRG1	GVZ	3000/Tape & Reel
		AP9101CK-AXTRG1	GWZ	3000/Tape & Reel
		AP9101CK-AYTRG1	GYZ	3000/Tape & Reel
		AP9101CK-AZTRG1	GZB	3000/Tape & Reel
		AP9101CK-BATRG1	GZC	3000/Tape & Reel
		AP9101CK-BBTRG1	GZD	3000/Tape & Reel
		AP9101CK-BCTRG1	GZE	3000/Tape & Reel
		AP9101CK-BDTRG1	GZF	3000/Tape & Reel
		AP9101CK-BETRG1	GZG	3000/Tape & Reel
		AP9101CK-BFTRG1	GZH	3000/Tape & Reel
		AP9101CK-BGTRG1	GZJ	3000/Tape & Reel
		AP9101CK-BHTRG1	GZK	3000/Tape & Reel
		AP9101CK-BITRG1	GZL	3000/Tape & Reel
		AP9101CK-BJTRG1	GZM	3000/Tape & Reel
		AP9101CK-BKTRG1	GZN	3000/Tape & Reel
AP9101CK-BLTRG1	GZP	3000/Tape & Reel		
AP9101CK-BMTRG1	GZQ	3000/Tape & Reel		
AP9101CK-BNTRG1	GZR	3000/Tape & Reel		
AP9101CK-BOTRG1	GZS	3000/Tape & Reel		

Note: 6. Current voltage versions are built by delay time option 1. If any other voltage versions or delay time option products are needed, please contact with the local sale's office.



**Ordering Information** (Cont.) (Note 6)

Product Name	Package	Part Number	Marking ID	Packing
AP9101C	SOT25	AP9101CK-BPTRG1	GZT	3000/Tape & Reel
		AP9101CK-BQTRG1	GZU	3000/Tape & Reel
		AP9101CK-BRTRG1	GZV	3000/Tape & Reel
		AP9101CK-BSTRG1	GZW	3000/Tape & Reel
		AP9101CK-BTTRG1	GZZ	3000/Tape & Reel
		AP9101CK-BUTRG1	L1A	3000/Tape & Reel
		AP9101CK-BVTRG1	L1B	3000/Tape & Reel
		AP9101CK-BWTRG1	L1C	3000/Tape & Reel
		AP9101CK-BXTRG1	L1D	3000/Tape & Reel
		AP9101CK-BYTRG1	L1E	3000/Tape & Reel
		AP9101CK-BZTRG1	L1F	3000/Tape & Reel
		AP9101CK-CATRG1	L1G	3000/Tape & Reel
		AP9101CK-CBTRG1	L1H	3000/Tape & Reel
		AP9101CK-CCTRG1	L1J	3000/Tape & Reel
		AP9101CK-CDTRG1	L1K	3000/Tape & Reel
		AP9101CK-CETRG1	L1L	3000/Tape & Reel
		AP9101CK-CFTRG1	L1M	3000/Tape & Reel
		AP9101CK-CGTRG1	L1N	3000/Tape & Reel
		AP9101CK-CHTRG1	L1P	3000/Tape & Reel
		AP9101CK-CITRG1	L1Q	3000/Tape & Reel
		AP9101CK-CJTRG1	L1R	3000/Tape & Reel
		AP9101CK-CKTRG1	L1S	3000/Tape & Reel
		AP9101CK-CLTRG1	L1T	3000/Tape & Reel
		AP9101CK-CMTRG1	L1U	3000/Tape & Reel
		AP9101CK-CNTRG1	L1V	3000/Tape & Reel
		AP9101CK-COTRG1	L1W	3000/Tape & Reel
		AP9101CK-CPTRG1	L1Z	3000/Tape & Reel
		AP9101CK-CQTRG1	L2A	3000/Tape & Reel
		AP9101CAK-AATRG1	GRA	3000/Tape & Reel
		AP9101CAK-ABTRG1	GSC	3000/Tape & Reel
		AP9101CAK-ACTRG1	GRJ	3000/Tape & Reel
		AP9101CAK-ADTRG1	GRK	3000/Tape & Reel
		AP9101CAK-AETRG1	GRD	3000/Tape & Reel
		AP9101CAK-AFTRG1	GRL	3000/Tape & Reel
AP9101CAK-AGTRG1	GRM	3000/Tape & Reel		
AP9101CAK-AHTRG1	GRN	3000/Tape & Reel		
AP9101CAK-AITRG1	GRP	3000/Tape & Reel		

Note: 6. Current voltage versions are built by delay time option 1. If any other voltage versions or delay time option products are needed, please contact with the local sale's office.

**Ordering Information** (Cont.) (Note 6)

Product Name	Package	Part Number	Marking ID	Packing
AP9101C	SOT25	AP9101CAK-AJTRG1	GRQ	3000/Tape & Reel
		AP9101CAK-AKTRG1	GRG	3000/Tape & Reel
		AP9101CAK-ALTRG1	GRR	3000/Tape & Reel
		AP9101CAK-AMTRG1	GRS	3000/Tape & Reel
		AP9101CAK-ANTRG1	GST	3000/Tape & Reel
		AP9101CAK-AOTRG1	GTT	3000/Tape & Reel
		AP9101CAK-ASTRG1	GSV	3000/Tape & Reel
		AP9101CAK-ATTRG1	GSW	3000/Tape & Reel
		AP9101CAK-AUTRG1	L2B	3000/Tape & Reel
		AP9101CAK-AXTRG1	L2C	3000/Tape & Reel
		AP9101CAK-AYTRG1	L2D	3000/Tape & Reel
		AP9101CAK-AZTRG1	L2E	3000/Tape & Reel
		AP9101CAK-BATRG1	L2F	3000/Tape & Reel
		AP9101CAK-BBTRG1	L2G	3000/Tape & Reel
		AP9101CAK-BCTRG1	L2H	3000/Tape & Reel
		AP9101CAK-BDTRG1	L2J	3000/Tape & Reel
		AP9101CAK-BETRG1	L2K	3000/Tape & Reel
		AP9101CAK-BFTRG1	L2L	3000/Tape & Reel
		AP9101CAK-BGTRG1	L2M	3000/Tape & Reel
		AP9101CAK-BHTRG1	L2N	3000/Tape & Reel
		AP9101CAK-BITRG1	L2P	3000/Tape & Reel
		AP9101CAK-BJTRG1	L2Q	3000/Tape & Reel
		AP9101CAK-BKTRG1	L2R	3000/Tape & Reel
		AP9101CAK-BLTRG1	L2S	3000/Tape & Reel
		AP9101CAK-BMTRG1	L2T	3000/Tape & Reel
		AP9101CAK-BNTRG1	L2U	3000/Tape & Reel
		AP9101CAK-BOTRG1	L2V	3000/Tape & Reel
		AP9101CAK-BPTRG1	L2W	3000/Tape & Reel
		AP9101CAK-BQTRG1	L2Z	3000/Tape & Reel
		AP9101CAK-BRTRG1	L3A	3000/Tape & Reel
		AP9101CAK-BSTRG1	L3B	3000/Tape & Reel
		AP9101CAK-BTTRG1	L3C	3000/Tape & Reel
		AP9101CAK-BUTRG1	L3D	3000/Tape & Reel
		AP9101CAK-BVTRG1	L3E	3000/Tape & Reel
AP9101CAK-BWTRG1	L3F	3000/Tape & Reel		
AP9101CAK-BXTRG1	L3G	3000/Tape & Reel		
AP9101CAK-BYTRG1	L3H	3000/Tape & Reel		

Note: 6. Current voltage versions are built by delay time option 1. If any other voltage versions or delay time option products are needed, please contact with the local sale's office.

**Ordering Information** (Cont.) (Note 6)

Product Name	Package	Part Number	Marking ID	Packing
AP9101C	SOT25	AP9101CAK-BZTRG1	L3J	3000/Tape & Reel
		AP9101CAK-CATRG1	L3K	3000/Tape & Reel
		AP9101CAK-CBTRG1	L3L	3000/Tape & Reel
		AP9101CAK-CCTRG1	L3M	3000/Tape & Reel
		AP9101CAK-CDTRG1	L3N	3000/Tape & Reel
		AP9101CAK-CETRG1	L3P	3000/Tape & Reel
		AP9101CAK-CFTRG1	L3Q	3000/Tape & Reel
		AP9101CAK-CGTRG1	L3R	3000/Tape & Reel
		AP9101CAK-CHTRG1	L3S	3000/Tape & Reel
		AP9101CAK-CITRG1	L3T	3000/Tape & Reel
		AP9101CAK-CJTRG1	L3U	3000/Tape & Reel
		AP9101CAK-CKTRG1	L3V	3000/Tape & Reel
		AP9101CAK-CLTRG1	L3W	3000/Tape & Reel
		AP9101CAK-CMTRG1	L3Z	3000/Tape & Reel
		AP9101CAK-CNTRG1	L4A	3000/Tape & Reel
		AP9101CAK-COTRG1	GZA	3000/Tape & Reel
		AP9101CAK-CPTRG1	GSZ	3000/Tape & Reel
		AP9101CAK-CQTRG1	L4B	3000/Tape & Reel
AP9101C	SOT26	AP9101CK6-AATRG1	GQB	3000/Tape & Reel
		AP9101CK6-ABTRG1	GQC	3000/Tape & Reel
		AP9101CK6-ACTRG1	GSJ	3000/Tape & Reel
		AP9101CK6-ADTRG1	GSK	3000/Tape & Reel
		AP9101CK6-AETRG1	GQE	3000/Tape & Reel
		AP9101CK6-AFTRG1	GSL	3000/Tape & Reel
		AP9101CK6-AGTRG1	GSM	3000/Tape & Reel
		AP9101CK6-AHTRG1	GSN	3000/Tape & Reel
		AP9101CK6-AITRG1	GSP	3000/Tape & Reel
		AP9101CK6-AJTRG1	GSQ	3000/Tape & Reel
		AP9101CK6-AKTRG1	GQH	3000/Tape & Reel
		AP9101CK6-ALTRG1	GSR	3000/Tape & Reel
		AP9101CK6-AMTRG1	GSS	3000/Tape & Reel
		AP9101CK6-ANTRG1	GQU	3000/Tape & Reel
		AP9101CK6-AOTRG1	GRU	3000/Tape & Reel
		AP9101CK6-ASTRG1	GRW	3000/Tape & Reel
		AP9101CK6-ATTRG1	GRV	3000/Tape & Reel
		AP9101CK6-AUTRG1	GQW	3000/Tape & Reel
AP9101CK6-AXTRG1	GPU	3000/Tape & Reel		

Note: 6. Current voltage versions are built by delay time option 1. If any other voltage versions or delay time option products are needed, please contact with the local sale's office.

**Ordering Information** (Cont.) (Note 6)

Product Name	Package	Part Number	Marking ID	Packing
AP9101C	SOT26	AP9101CK6-AYTRG1	GPV	3000/Tape & Reel
		AP9101CK6-AZTRG1	GPW	3000/Tape & Reel
		AP9101CK6-BATRG1	GXA	3000/Tape & Reel
		AP9101CK6-BBTRG1	GXB	3000/Tape & Reel
		AP9101CK6-BCTRG1	GXC	3000/Tape & Reel
		AP9101CK6-BDTRG1	GXD	3000/Tape & Reel
		AP9101CK6-BETRG1	GXE	3000/Tape & Reel
		AP9101CK6-BFTRG1	GXF	3000/Tape & Reel
		AP9101CK6-BGTRG1	GXG	3000/Tape & Reel
		AP9101CK6-BHTRG1	GXH	3000/Tape & Reel
		AP9101CK6-BITRG1	GXJ	3000/Tape & Reel
		AP9101CK6-BJTRG1	GXK	3000/Tape & Reel
		AP9101CK6-BKTRG1	GXL	3000/Tape & Reel
		AP9101CK6-BLTRG1	GXM	3000/Tape & Reel
		AP9101CK6-BMTRG1	GXN	3000/Tape & Reel
		AP9101CK6-BNTRG1	GXP	3000/Tape & Reel
		AP9101CK6-BOTRG1	GXQ	3000/Tape & Reel
		AP9101CK6-BPTRG1	GXR	3000/Tape & Reel
		AP9101CK6-BQTRG1	GXS	3000/Tape & Reel
		AP9101CK6-BRTRG1	GXT	3000/Tape & Reel
		AP9101CK6-BSTRG1	GXU	3000/Tape & Reel
		AP9101CK6-BTTRG1	GXZ	3000/Tape & Reel
		AP9101CK6-BUTRG1	GXV	3000/Tape & Reel
		AP9101CK6-BVTRG1	GXW	3000/Tape & Reel
		AP9101CK6-BWTRG1	GYS	3000/Tape & Reel
		AP9101CK6-BXTRG1	GYT	3000/Tape & Reel
		AP9101CK6-BYTRG1	GYU	3000/Tape & Reel
		AP9101CK6-BZTRG1	GYV	3000/Tape & Reel
		AP9101CK6-CATRG1	GYA	3000/Tape & Reel
		AP9101CK6-CBTRG1	GYB	3000/Tape & Reel
		AP9101CK6-CCTRG1	GYC	3000/Tape & Reel
		AP9101CK6-CDTRG1	GYD	3000/Tape & Reel
AP9101CK6-CETRG1	GYE	3000/Tape & Reel		
AP9101CK6-CFTRG1	GYF	3000/Tape & Reel		
AP9101CK6-CGTRG1	GYG	3000/Tape & Reel		
AP9101CK6-CHTRG1	GYH	3000/Tape & Reel		
AP9101CK6-CITRG1	GYJ	3000/Tape & Reel		

Note: 6. Current voltage versions are built by delay time option 1. If any other voltage versions or delay time option products are needed, please contact with the local sale's office.

**Ordering Information** (Cont.) (Note 6)

Product Name	Package	Part Number	Marking ID	Packing
AP9101C	SOT26	AP9101CK6-CJTRG1	GYK	3000/Tape & Reel
		AP9101CK6-CKTRG1	GYL	3000/Tape & Reel
		AP9101CK6-CLTRG1	GYM	3000/Tape & Reel
		AP9101CK6-CMTRG1	GYN	3000/Tape & Reel
		AP9101CK6-CNTRG1	GYP	3000/Tape & Reel
		AP9101CK6-COTRG1	GYQ	3000/Tape & Reel
		AP9101CK6-CPTRG1	GYR	3000/Tape & Reel
		AP9101CK6-CQTRG1	GYW	3000/Tape & Reel
		AP9101CK6-DUTRG1	GUJ	3000/Tape & Reel
		AP9101CAK6-AATRG1	GRB	3000/Tape & Reel
		AP9101CAK6-ABTRG1	GRC	3000/Tape & Reel
		AP9101CAK6-ACTRG1	GTJ	3000/Tape & Reel
		AP9101CAK6-ADTRG1	GTK	3000/Tape & Reel
		AP9101CAK6-AETRG1	GRE	3000/Tape & Reel
		AP9101CAK6-AFTRG1	GTL	3000/Tape & Reel
		AP9101CAK6-AGTRG1	GTM	3000/Tape & Reel
		AP9101CAK6-AHTRG1	GTN	3000/Tape & Reel
		AP9101CAK6-AITRG1	GTP	3000/Tape & Reel
		AP9101CAK6-AJTRG1	GTQ	3000/Tape & Reel
		AP9101CAK6-AKTRG1	GRH	3000/Tape & Reel
		AP9101CAK6-ALTRG1	GTR	3000/Tape & Reel
		AP9101CAK6-AMTRG1	GTS	3000/Tape & Reel
		AP9101CAK6-ANTRG1	GSU	3000/Tape & Reel
		AP9101CAK6-AOTRG1	GTU	3000/Tape & Reel
		AP9101CAK6-ASTRG1	GTW	3000/Tape & Reel
		AP9101CAK6-ATTRG1	GTV	3000/Tape & Reel
		AP9101CAK6-AUTRG1	GUT	3000/Tape & Reel
		AP9101CAK6-AXTRG1	GUU	3000/Tape & Reel
		AP9101CAK6-AYTRG1	GUV	3000/Tape & Reel
		AP9101CAK6-AZTRG1	GUW	3000/Tape & Reel
		AP9101CAK6-BATRG1	GVA	3000/Tape & Reel
		AP9101CAK6-BBTRG1	GVB	3000/Tape & Reel
AP9101CAK6-BCTRG1	GVC	3000/Tape & Reel		
AP9101CAK6-BDTRG1	GVD	3000/Tape & Reel		
AP9101CAK6-BETRG1	GVE	3000/Tape & Reel		
AP9101CAK6-BFTRG1	GVF	3000/Tape & Reel		
AP9101CAK6-BGTRG1	GVG	3000/Tape & Reel		
AP9101CAK6-BHTRG1	GVH	3000/Tape & Reel		

Note: 6. Current voltage versions are built by delay time option 1. If any other voltage versions or delay time option products are needed, please contact with the local sale's office.

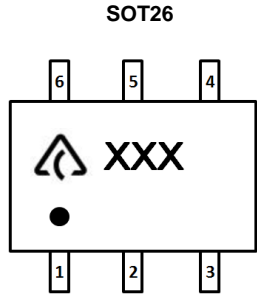
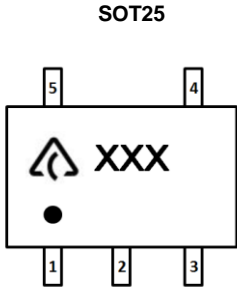
**Ordering Information** (Cont.) (Note 6)


Product Name	Package	Part Number	Marking ID	Packing
AP9101C	SOT26	AP9101CAK6-BITRG1	GVJ	3000/Tape & Reel
		AP9101CAK6-BJTRG1	GVK	3000/Tape & Reel
		AP9101CAK6-BKTRG1	GVL	3000/Tape & Reel
		AP9101CAK6-BLTRG1	GVM	3000/Tape & Reel
		AP9101CAK6-BMTRG1	GVN	3000/Tape & Reel
		AP9101CAK6-BNTRG1	GVP	3000/Tape & Reel
		AP9101CAK6-BOTRG1	GVQ	3000/Tape & Reel
		AP9101CAK6-BPTRG1	GVR	3000/Tape & Reel
		AP9101CAK6-BQTRG1	GVS	3000/Tape & Reel
		AP9101CAK6-BRTRG1	GVT	3000/Tape & Reel
		AP9101CAK6-BSTRG1	GVU	3000/Tape & Reel
		AP9101CAK6-BTTRG1	GVV	3000/Tape & Reel
		AP9101CAK6-BUTRG1	GVW	3000/Tape & Reel
		AP9101CAK6-BVTRG1	GWS	3000/Tape & Reel
		AP9101CAK6-BWTRG1	GWT	3000/Tape & Reel
		AP9101CAK6-BXTRG1	GWU	3000/Tape & Reel
		AP9101CAK6-BYTRG1	GWV	3000/Tape & Reel
		AP9101CAK6-BZTRG1	GWW	3000/Tape & Reel
		AP9101CAK6-CATRG1	GWA	3000/Tape & Reel
		AP9101CAK6-CBTRG1	GWB	3000/Tape & Reel
		AP9101CAK6-CCTRG1	GWC	3000/Tape & Reel
		AP9101CAK6-CDTRG1	GWD	3000/Tape & Reel
		AP9101CAK6-CETRG1	GWE	3000/Tape & Reel
		AP9101CAK6-CFTRG1	GWF	3000/Tape & Reel
		AP9101CAK6-CGTRG1	GWG	3000/Tape & Reel
		AP9101CAK6-CHTRG1	GWH	3000/Tape & Reel
		AP9101CAK6-CITRG1	GWJ	3000/Tape & Reel
		AP9101CAK6-CJTRG1	GWK	3000/Tape & Reel
		AP9101CAK6-CKTRG1	GWL	3000/Tape & Reel
		AP9101CAK6-CLTRG1	GWM	3000/Tape & Reel
AP9101CAK6-CMTRG1	GWN	3000/Tape & Reel		
AP9101CAK6-CNTRG1	GWP	3000/Tape & Reel		
AP9101CAK6-COTRG1	GWQ	3000/Tape & Reel		
AP9101CAK6-CPTRG1	GWR	3000/Tape & Reel		
AP9101CAK6-DUTRG1	GUH	3000/Tape & Reel		

Note: 6. Current voltage versions are built by delay time option 1. If any other voltage versions or delay time option products are needed, please contact with the local sale's office.

**Marking Information**

(Top View)

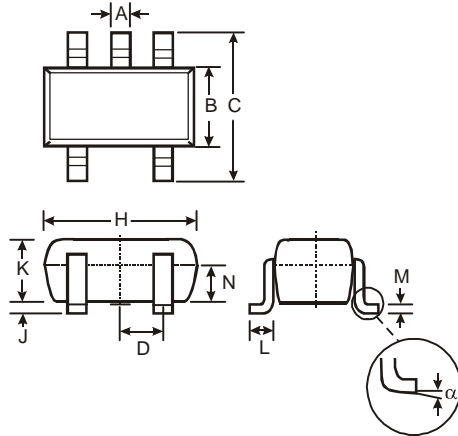


 : Logo  
XXX : Marking ID (See Ordering Information)

## Package Outline Dimensions

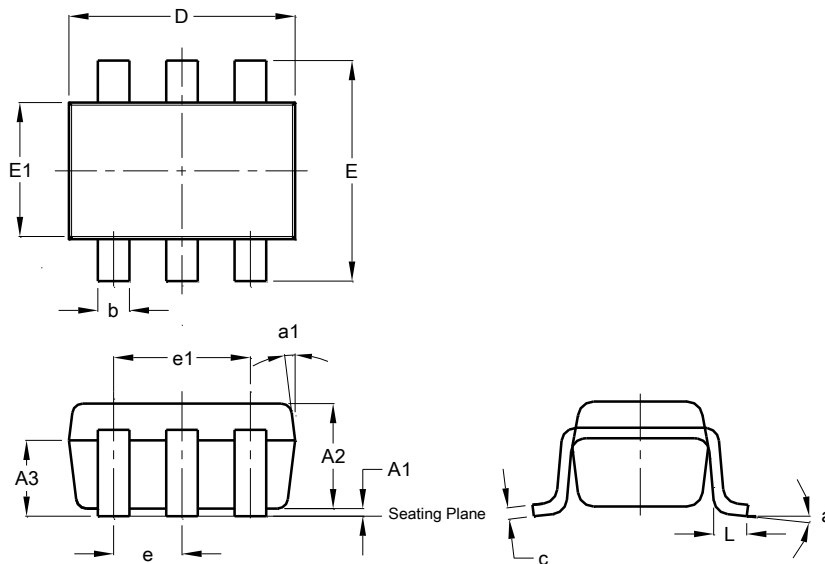
Please see <http://www.diodes.com/package-outlines.html> for the latest version.

### (1) Package Type: SOT25



SOT25			
Dim	Min	Max	Typ
A	0.35	0.50	0.38
B	1.50	1.70	1.60
C	2.70	3.00	2.80
D	-	-	0.95
H	2.90	3.10	3.00
J	0.013	0.10	0.05
K	1.00	1.30	1.10
L	0.35	0.55	0.40
M	0.10	0.20	0.15
N	0.70	0.80	0.75
α	0°	8°	-
All Dimensions in mm			

### (2) Package Type: SOT26



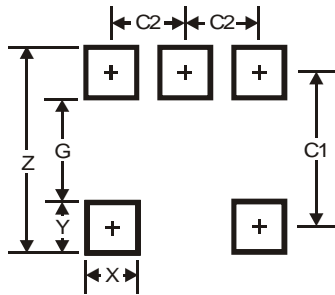
SOT26			
Dim	Min	Max	Typ
A1	0.013	0.10	0.05
A2	1.00	1.30	1.10
A3	0.70	0.80	0.75
b	0.35	0.50	0.38
c	0.10	0.20	0.15
D	2.90	3.10	3.00
e	-	-	0.95
e1	-	-	1.90
E	2.70	3.00	2.80
E1	1.50	1.70	1.60
L	0.35	0.55	0.40
a	-	-	8°
a1	-	-	7°
All Dimensions in mm			



**Suggested Pad Layout**

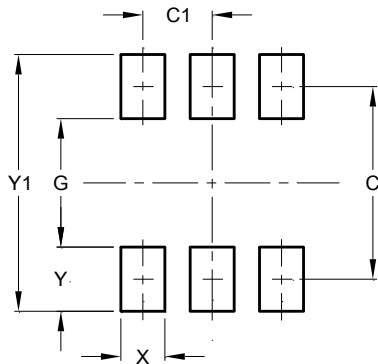
Please see <http://www.diodes.com/package-outlines.html> for the latest version.

**(1) Package Type: SOT25**



Dimensions	Value
Z	3.20
G	1.60
X	0.55
Y	0.80
C1	2.40
C2	0.95

**(2) Package Type: SOT26**



Dimensions	Value (in mm)
C	2.40
C1	0.95
G	1.60
X	0.55
Y	0.80
Y1	3.20