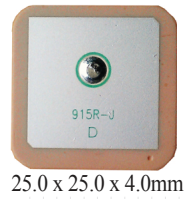


# 915MHz; 25 x 25 x 4mm RFID(USA) Patch Antenna



25.0 x 25.0 x 4.0mm

**APAE915R2540ABDB1-T**

**RoHS/RoHS II Compliant**

MSL level: Not Applicable

## FEATURES:

- Compact size
- RoHS Compliance

## TYPICAL APPLICATIONS:

RFID systems for Logistic & Inventory Management of Retail, Pharmaceutical, Automotive Industries; Industrial automation, Contactless smart cards.

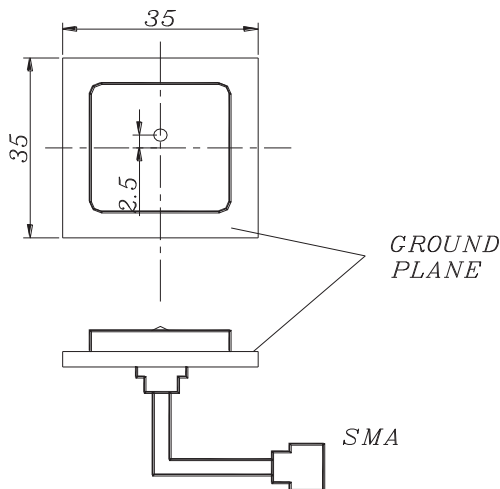
## STANDARD SPECIFICATIONS:

Parameters	Min.	Typ.	Max.	Units	Note
Nominal Frequency		915.0		MHz	
Center Frequency @ -10dB bandwidth <sup>(*)</sup>		927.5±3.0		MHz	(without tape on 35×35mm ground plane.)
Real part at CF		30±15		Ω	(Peak gain on standardized Ground Plane)
Imaginary part at CF		-5± 15		Ω	
Polarization Model		RHCP			(Right Hand Circular Polarization)
Impedance		50		Ω	
Frequency Temperature Coefficient			20	ppm/°C	

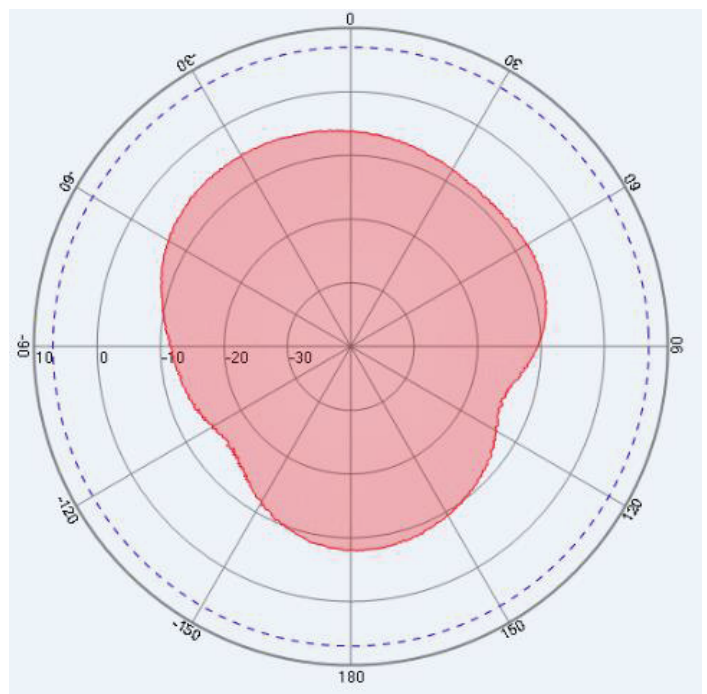
<sup>(\*)</sup> Application environment, including size of ground plane will affect stated performance. Fine tuning might be required when installed on customer's PCB.

## TEST CONDITIONS & TEST SETUP:

Parts shall be measured under a condition (Temp.: 20±15°C, Humidity: 65±20% R.H.)



## RADIATION PATTERN

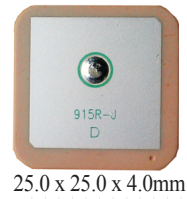


**Measured at 927MHz**

# 915MHz; 25 x 25 x 4mm RFID(USA) Patch Antenna

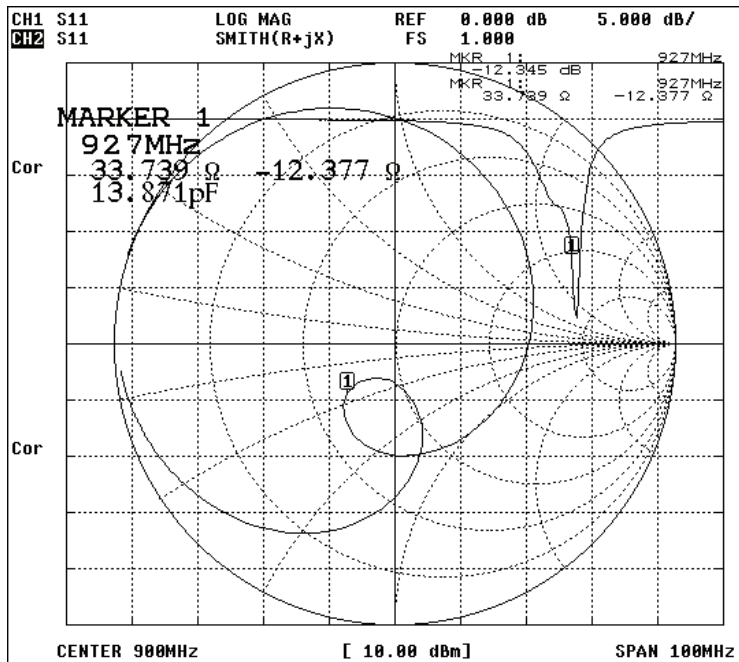
APAE915R2540ABDB1-T

RoHS/RoHS II Compliant



25.0 x 25.0 x 4.0mm

## IMPEDANCE CHARACTERISTICS



## OUTLINE DRAWING:

