

Compact 2.4GHz WiFi/Bluetooth Patch Antenna



APAKN1304-S2450-T



13.0 x 13.0 x 4.0mm
RoHS/RoHS II Compliant
MSL - 1

FEATURES

- Compact 13.0 x 13.0mm size
- High gain of 5 dBi
- Linear polarization
- Low VSWR
- Surface mount patch antenna

APPLICATIONS

- WiFi
- Bluetooth
- ZigBee
- ISM
- Wearables
- Mobile and portable

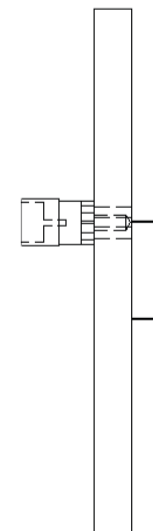
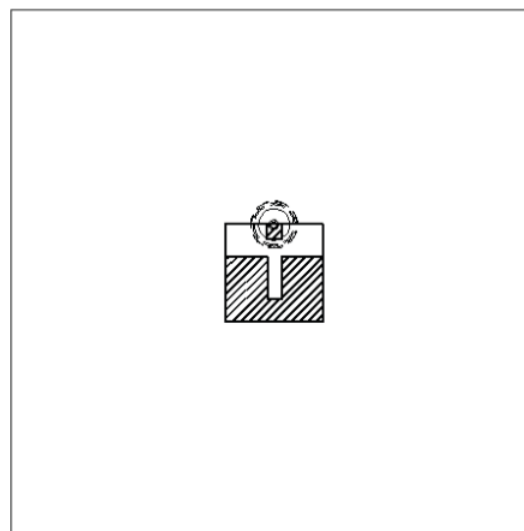
Electrical Specifications

Parameters	Min.	Typ.	Max.	Units	Note
Receiving Frequency Range		2412 - 2484		MHz	(On a 70*70mm Ground Plane)
Bandwidth		40		MHz	Min (@ -5dB)
Return Loss		< -10 @ CF			
Peak Gain		5.0		dBi	
Polarization Model		Linear			
Impedance		50		Ω	
Frequency Temperature Coefficient		20		ppm/ $^{\circ}$ C	Max

(*) Application environment, including size of the ground plane, proximity to adjacent components, etc., will affect stated performance. Fine tuning might be required when installed on end-customer's PCB. Abracon offers Antenna Optimization Service, please contact Abracon.

Test Conditions and Test Setup

Parts shall be measured under a condition (Temp.: 20 $^{\circ}$ C \pm 15 $^{\circ}$ C, Humidity: 65% \pm 20% R.H.).

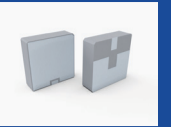


5101 Hidden Creek Ln Spicewood TX 78669
Phone: 512-371-6159 | Fax: 512-351-8858
For terms and conditions of sales, please visit:
www.abracon.com

REVISED: 08.15.2018

ABRACON IS
ISO9001-2015
CERTIFIED

Compact 2.4GHz WiFi/Bluetooth Patch Antenna

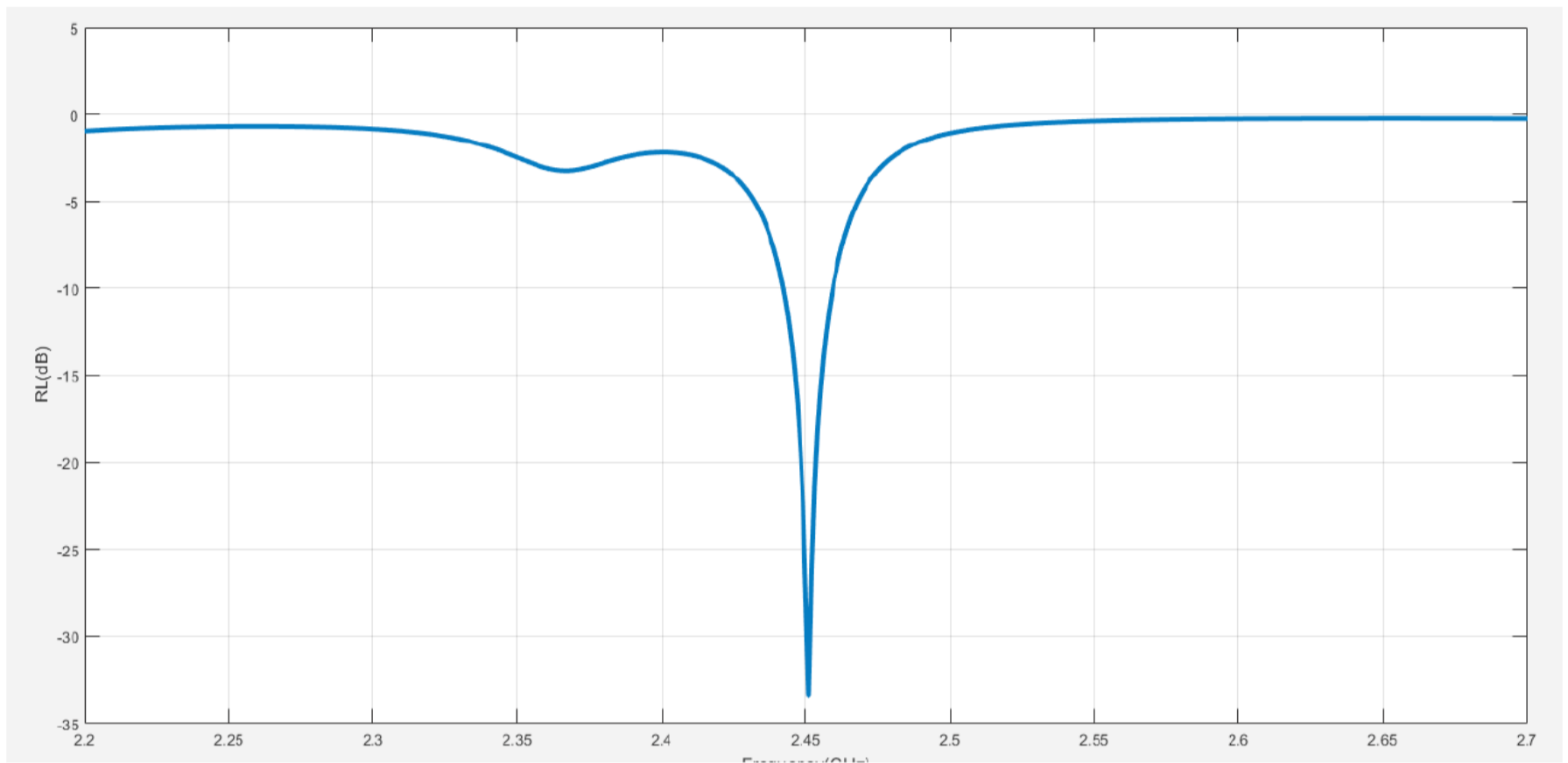


APAKN1304-S2450-T



13.0 x 13.0 x 4.0mm
RoHS/RoHS II Compliant
MSL - 1

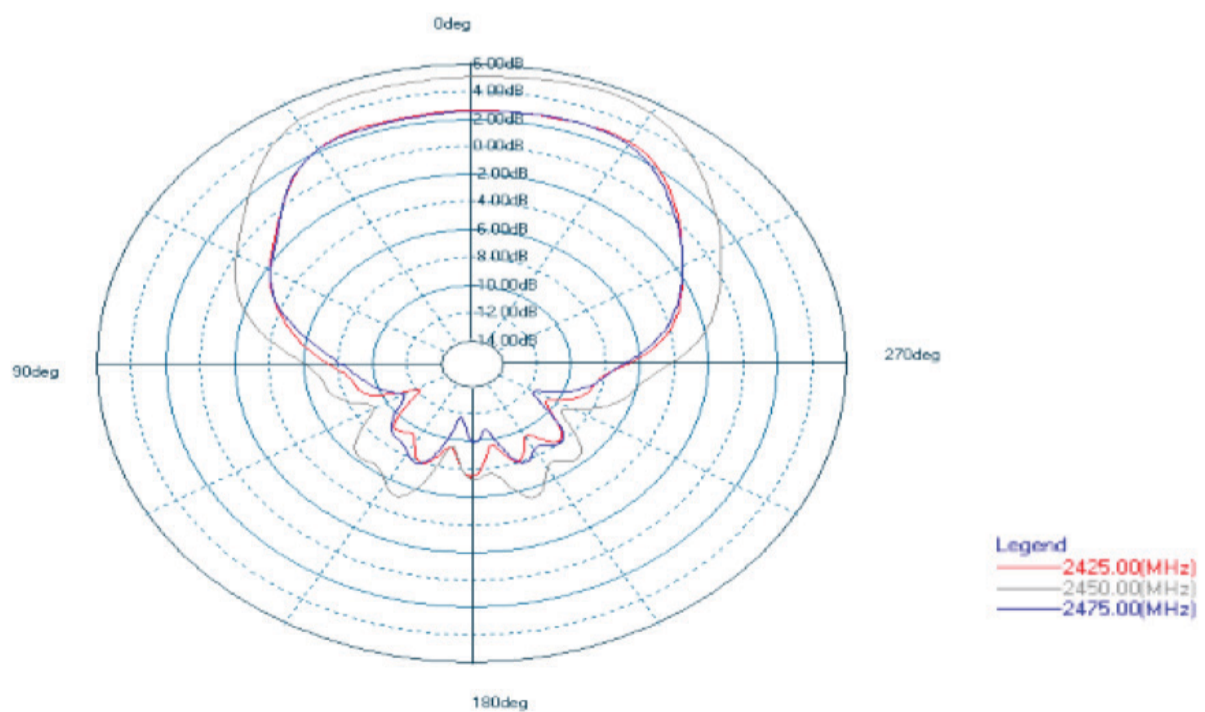
Return Loss Characteristic



Radiation Patterns

2D Patterns

X-Z PLANE



5101 Hidden Creek Ln Spicewood TX 78669
Phone: 512-371-6159 | Fax: 512-351-8858
For terms and conditions of sales, please visit:
www.abracon.com

REVISED: 08.15.2018

ABRACON IS
ISO9001-2015
CERTIFIED

Compact 2.4GHz WiFi/Bluetooth Patch Antenna

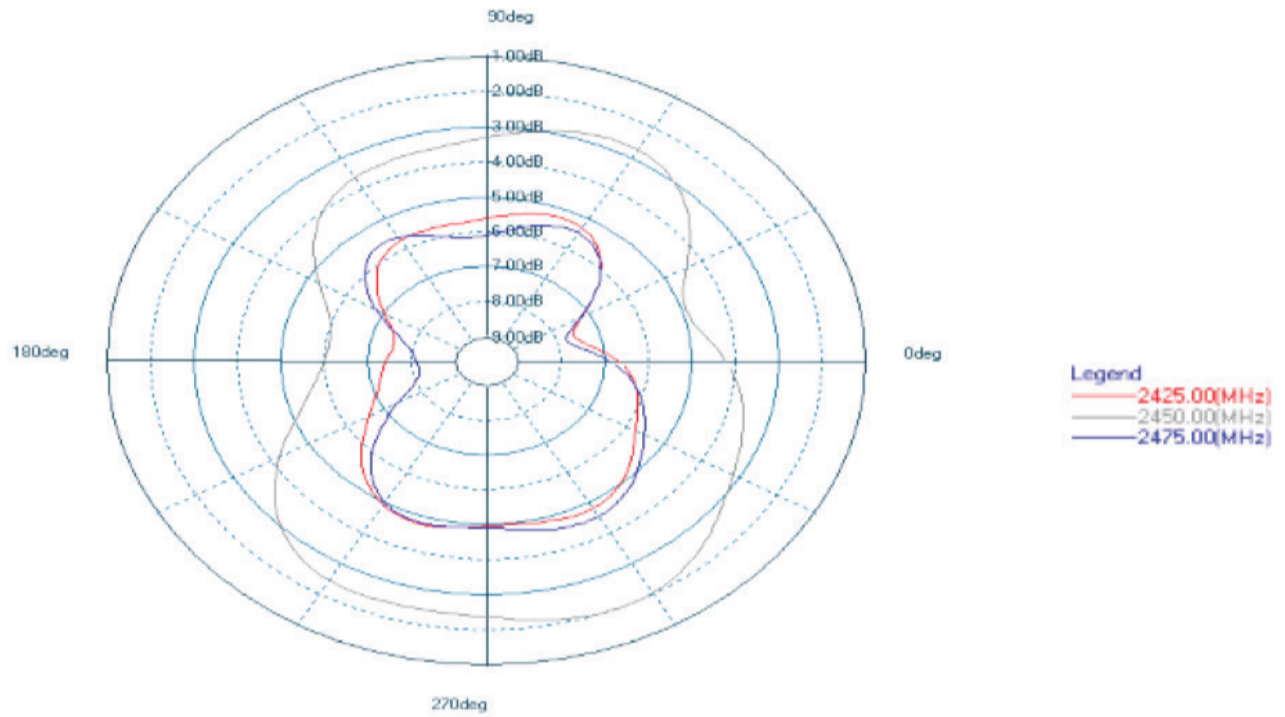


APAKN1304-S2450-T

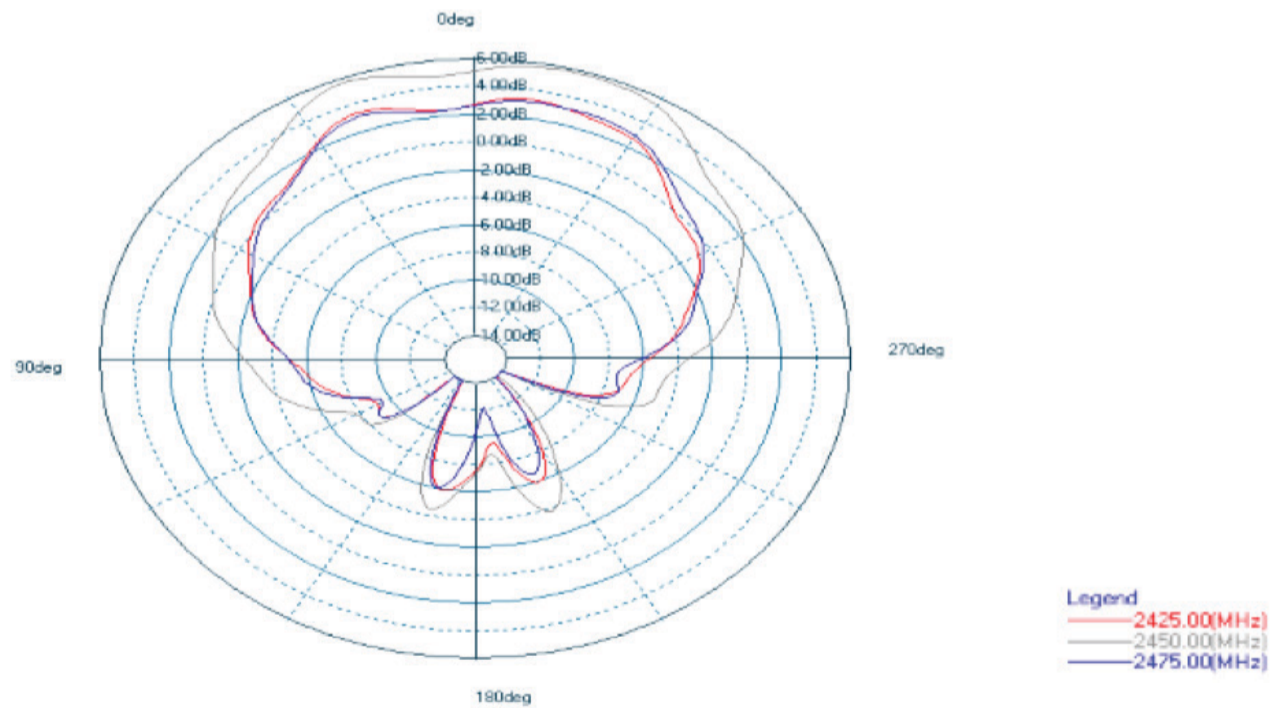


13.0 x 13.0 x 4.0mm
RoHS/RoHS II Compliant
MSL - 1

Radiation Patterns



Y-Z PLANE



X-Y PLANE

Compact 2.4GHz WiFi/Bluetooth Patch Antenna



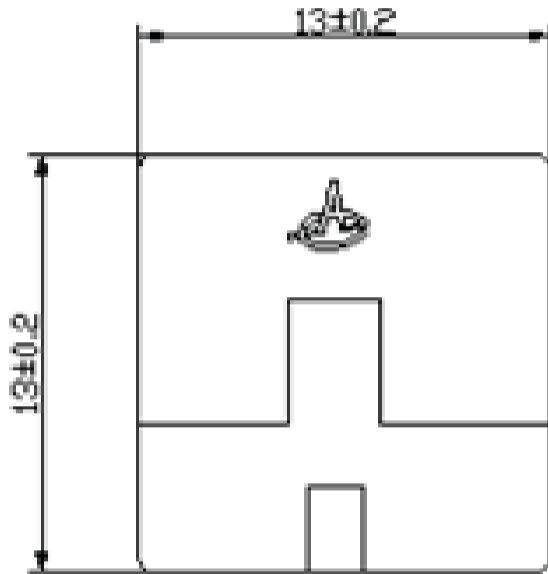
APAKN1304-S2450-T



13.0 x 13.0 x 4.0mm
RoHS/RoHS II Compliant
MSL - 1

Outline Dimensions

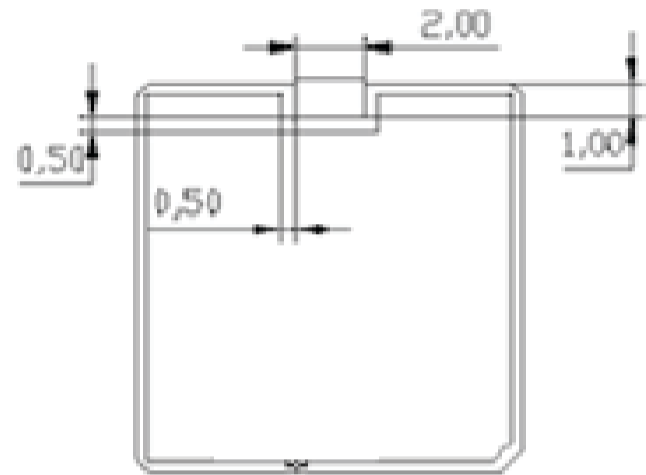
Top View



Side View



Bottom View



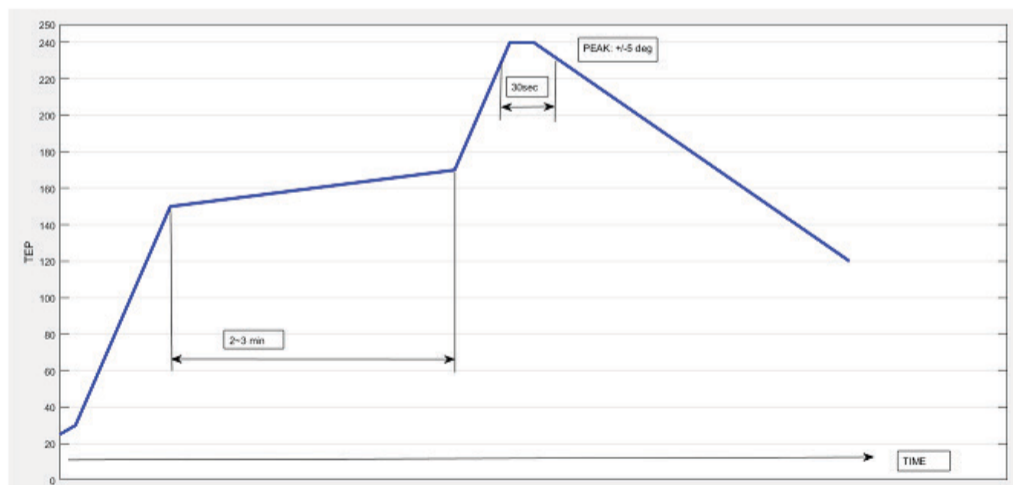
General Tolerance: ± 0.3 mm

Unit: mm

Recommended Reflow Soldering Profile

Solder Paste: Sn/Ag/Cu: 96.5/3.0/0.5

Recommended reflow condition:



Compact 2.4GHz WiFi/Bluetooth Patch Antenna



APAKN1304-S2450-T



13.0 x 13.0 x 4.0mm
RoHS/RoHS II Compliant
MSL - 1

Packaging

Carton has 10 inner boxes; each inner box has 1 reel (each reel for plastic bag).

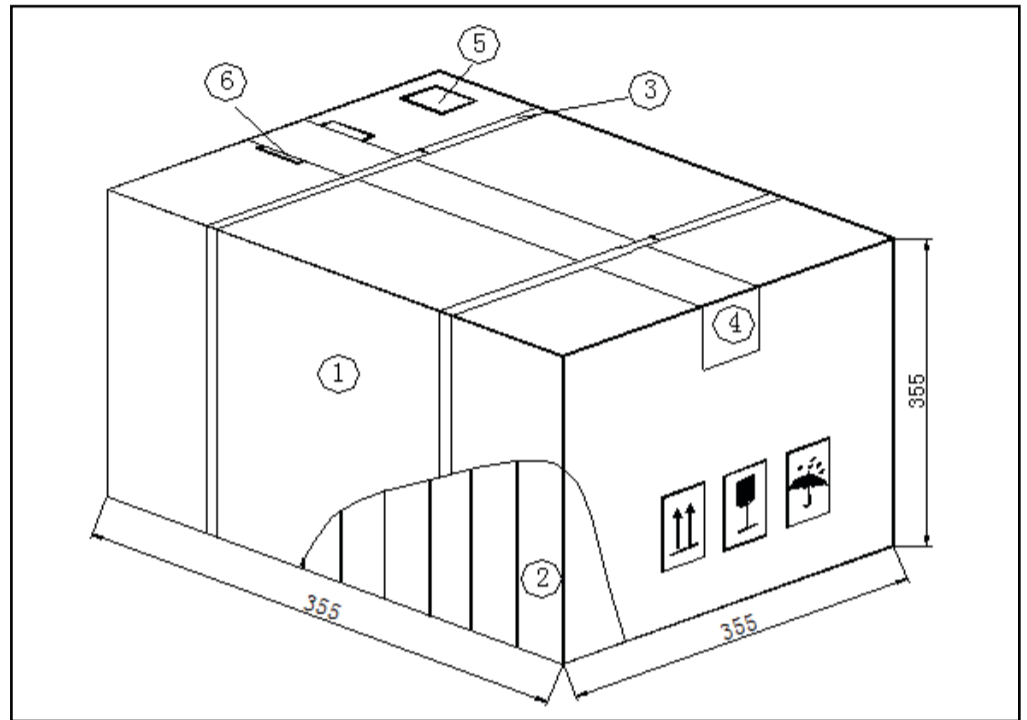
Quantity:

Per package: 10 inner boxes (5,000 pieces)

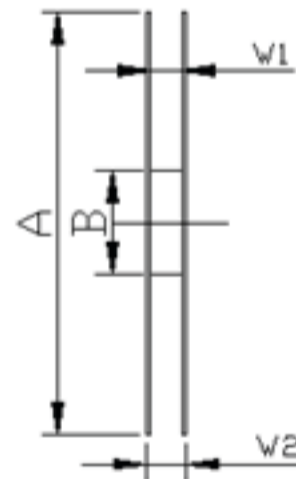
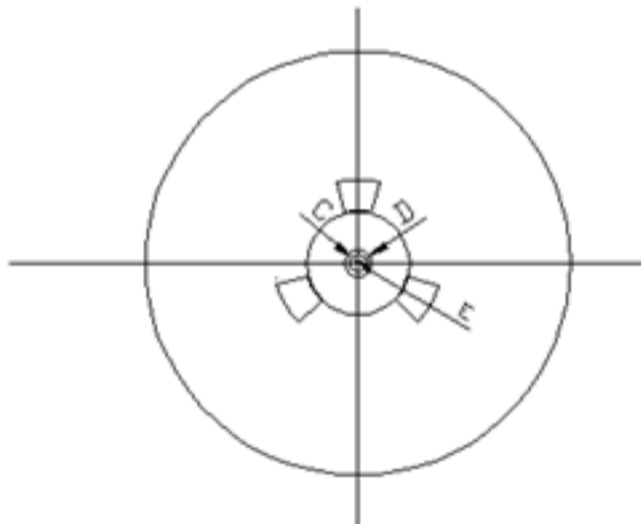
Per inner box: 1 reel

Per plastic reel: 500 pieces

Carton Dimensions (mm)



Reel Dimensions (mm)



A	B	C	D	E	W1	W2
±5.0	±5.0	±5.0	±1.0	±5.0	±2.0	±3.0
Φ330	Φ80	Φ13.5	Φ21	2.0	24	28